

323, 331, 341 SERIES

Pull Action Latch Clamps | Product Overview

Features:

- U-hook style latch clamps are supplied with threaded U-hooks for easy adjustment
- Supplied with latch plate and patented thumb control lever for one handed operation
- DESTACO® Toggle Lock Plus™ versions available
- Stainless steel version available as **-SS** models
- 5 handle colors - see page MC-PRO-7 for details

Applications:

- Molding
- Closures for doors, lids, covers
- Assembly

Also Available:

- Clamps with longer hooks available Upon Request that are 25mm, 50mm, 100mm longer than standard length
- To order clamp with longer hook, add **-M-25**, **-M-50**, or **-M-100** to the end of the model. Example: 323-**M-50**

Covered under one or more U.S./International Patents

323
323-**SS**



323-**R**
323-**RSS**
with DESTACO®
Toggle Lock
Plus™



331
331-**SS**



331-**R**
331-**RSS**
with
DESTACO®
Toggle Lock
Plus™



341
341-**SS**



341-**R**
341-**RSS**
with DESTACO®
Toggle Lock
Plus™



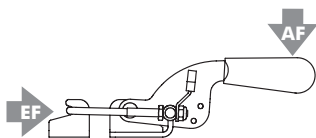
Color Handles

Available on models in this series that use standard red handles.* Add **-Y**, **-G**, **-B**, **-K** to end of model number.

*Excludes Toggle Lock Plus levers or dipped handles.



Technical Information | Holding Capacities



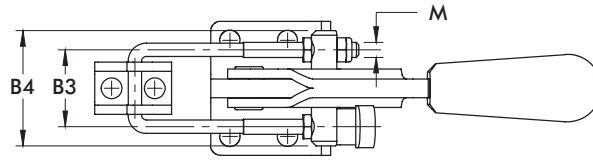
Model	Max. Holding Capacity	Weight	EF:AF	Drawing Movement	Latch Plate (Supplied)	Replacement Hook Assembly	Hook Adj. Range
323				[1.18] 30	323104-M	323215	
323-SS	[360 lbf] 1600 N	[0.15 lbs] 0,07 kg	27:1		323104-MSS	323915	[0.36] 9,1
323-R				[1.17] 29,7	323104-M	323215	
323-RSS					323104-MSS	323915	
331					331005	331215	
331-SS	[720 lbf] 3200 N	[0.56 lbs] 0,25 kg	32:1	[1.75] 44,5	331905	331915	[0.87] 22,1
331-R					331005	331215	
331-RSS					331905	331915	
341					341005	341215	
341-SS	[2000 lbf] 8900 N	[1.43 lbs] 0,65 kg	29:1	[2.50] 63,5	341905	341915	[0.97] 24,6
341-R					341005	341215	
341-RSS					341905	341915	

EF = Exerting Force, AF = Applied Force

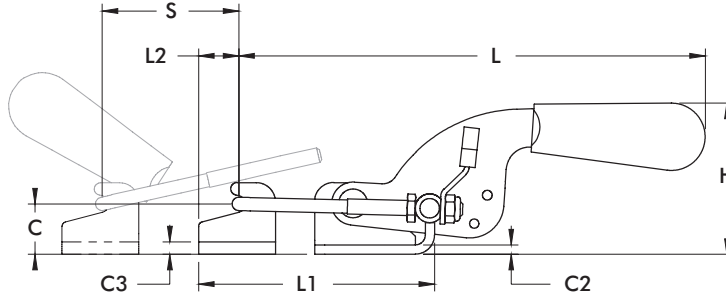
323, 323-R, 331, 341 SERIES

Pull Action Latch Clamps | Dimensions | -R/-RSS

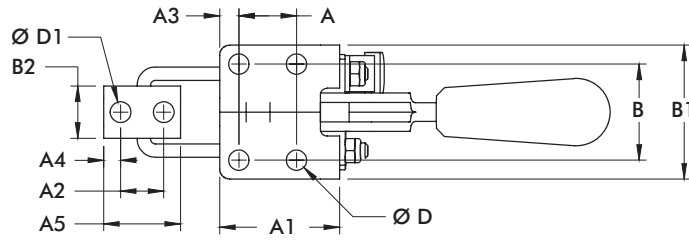
323
323-SS



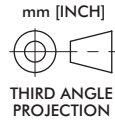
323-R
323-RSS
with DESTACO®
Toggle Lock
Plus™



331
331-SS



341
341-SS



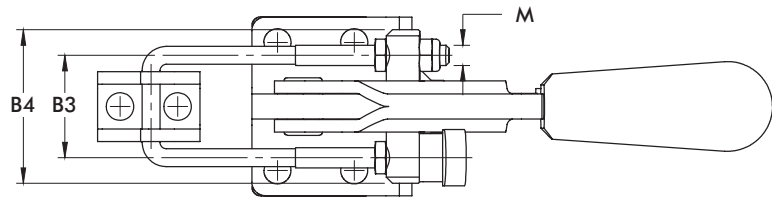
Model	A	A1	A2	A3	A4	A5	B	B1	B2	B3	B4	C	C2
323													
323-SS	[0.63]	[1.02]	[0.39]	[0.20]	[0.24]	[0.79]	[0.75]	[1.10]	[0.52]	[0.75]	[1.10]	[0.47]	[0.08]
323-R	16	26	10	5	6	20	19	28	13,2	19,1	28	12	2
323-RSS													
331	[0.75]	[1.56]	[0.56]	[0.25]	[0.22]	[1.00]	[1.26]	[1.74]	[0.68]	[1.00]	[1.50]	[0.66]	[0.12]
331-SS	19,1	39,7	14,3	6,4	5,6	25,4	32	44,3	17,3	25,4	38,1	16,7	3,1
341	[1.63]	[2.38]	[0.75]	[0.38]	[0.38]	[1.50]	[1.50]	[2.12]	[1.19]	[1.75]	[2.38]	[0.94]	[0.16]
341-SS	41,3	60,5	19,1	9,7	9,5	38,1	38,1	53,8	30,1	44,5	60,5	23,8	4

Model	C3	ØD	ØD2	H	L	L1 MAX	L2	M	S
323									
323-SS	[0.08]	[0.17]	[0.17]	[1.19]	[3.88]	[2.32]	[0.37]	M4	[1.18]
323-R	2	4,2	4,2	30,3	98,6	58,9	9,3	M4	30
323-RSS									
331	[0.12]	[0.27]	[0.27]	[1.97]	[6.07]	[3.07]	[0.52]	M5	[1.75]
331-SS	3,1	6,7	6,9	50	154,2	78	13,3	M5	45,5
341	[0.16]	[0.33]	[0.33]	[2.89]	[8.20]	[4.59]	[0.75]	M8	[2.50]
341-SS	4	8,5	8,5	73,4	208,3	116,6	19,1	M8	63,5

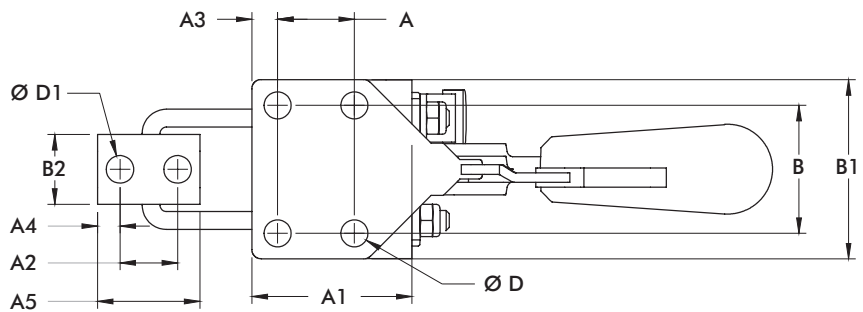
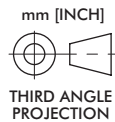
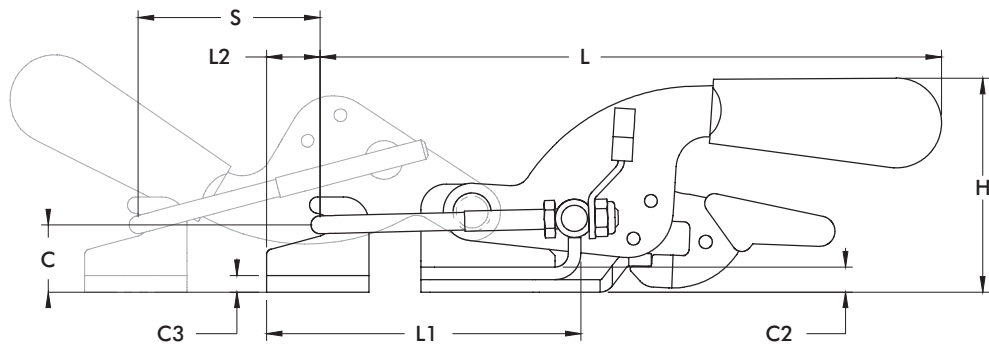
331-R, 341-R SERIES

Pull Action Latch Clamps | Dimensions | -R/-RSS

331-R
331-RSS
with
DESTACO®
Toggle Lock
Plus™



341-R
341-RSS
with DESTACO®
Toggle Lock
Plus™



Model	A	A1	A2	A3	A4	A5	B	B1	B2	B3	B4	C	C2
331-R	[0.75]	[1.56]	[0.56]	[0.25]	[0.22]	[1.00]	[1.25]	[1.74]	[0.68]	[1.00]	[1.50]	[0.66]	[0.12]
331-RSS	19,1	39,7	14,3	6,4	5,6	25,4	31,8	44,3	17,3	25,4	38,1	16,7	3,1
341-R	[1.63]	[2.38]	[0.75]	[0.38]	[0.38]	[1.50]	[1.50]	[2.12]	[1.19]	[1.75]	[2.38]	[0.94]	[0.16]
341-RSS	41,3	60,5	19,1	9,7	9,5	38,1	38,1	53,8	30,1	44,5	60,5	23,8	4

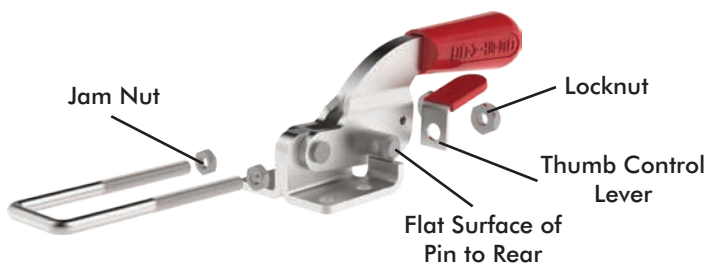
Model	C3	ØD	ØD2	H	L	L1 MAX	L2	M	S
331-R	[0.12]	[0.27]	[0.27]	[2.01]	[6.07]	[3.07]	[0.52]	M5	[1.75]
331-RSS	3,1	6,7	6,9	53,1	154,2	78	13,3	M5	45,5
341-R	[0.16]	[0.33]	[0.33]	[2.89]	[8.20]	[5.24]	[0.77]	M8	[2.50]
341-RSS	4	8,5	8,5	73,4	208,3	133,2	19,4	M8	63,5

323, 331, 341 SERIES

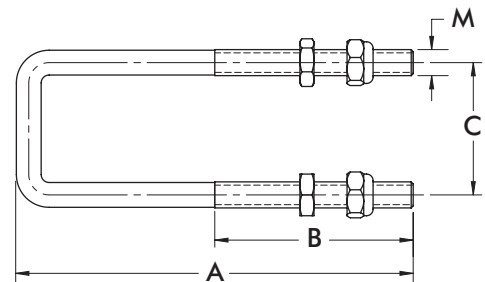
Pull Action Latch Clamps | Replacement Hook Assembly | Dimensions

Replacement Hook Assembly	Used on Clamp Model	A	B	C	M	Material
323215	323, 323-R	[2.12] 53,8	[0.94] 23,8	[0.75] 19,1	M4 x 0.7	Steel
323215-M-25 ⓘ	323-M-25, 323-R-M-25	[3.12] 79,2				
323215-M-50 ⓘ	323-M-50, 323-R-M-50	[4.12] 104,6				
323215-M-100 ⓘ	323-M-100, 323-R-M-100	[6.12] 155,4				
323915	323-SS, 323-RSS	[2.12] 53,8				Stainless Steel
323915-M-25 ⓘ	323-SS-M-25, 323-RSS-M-25	[3.12] 79,2				
323915-M-50 ⓘ	323-SS-M-50, 323-RSS-M-50	[4.12] 104,6				
323915-M-100 ⓘ	323-SS-M-100, 323-RSS-M-100	[6.12] 155,4				
331215	331, 331-R	[3.00] 76,2	[1.50] 38,1	[1.00] 25,4	M5 x 0.8	Steel
331215-M-25 ⓘ	331-M-25, 331-R-M-25	[4.00] 101,6				
331215-M-50 ⓘ	331-M-50, 331-R-M-50	[5.00] 127				
331215-M-100 ⓘ	331-M-100, 331-R-M-100	[7.00] 177,8				
331915	331-SS, 331-RSS	[3.00] 76,2				Stainless Steel
331915-M-25 ⓘ	331-SS-M-25, 331-RSS-M-25	[4.00] 101,6				
331915-M-50 ⓘ	331-SS-M-50, 331-RSS-M-50	[5.00] 127				
331915-M-100 ⓘ	331-SS-M-100, 331-RSS-M-100	[7.00] 177,8				
341215	341, 341-R	[4.31] 109,5	[1.97] 50	[1.75] 44,5	M8 x 1.25	Steel
341215-M-25 ⓘ	341-M-25, 341-R-M-25	[5.31] 135				
341215-M-50 ⓘ	341-M-50, 341-R-M-50	[6.31] 160,2				
341215-M-100 ⓘ	341-M-100, 341-R-M-100	[8.31] 211				
341915	341-SS, 341-RSS	[4.31] 109,5				Stainless Steel
341915-M-25 ⓘ	341-SS-M-25, 341-RSS-M-25	[5.31] 135				
341915-M-50 ⓘ	341-SS-M-50, 341-RSS-M-50	[6.31] 160,2				
341915-M-100 ⓘ	341-SS-M-100, 341-RSS-M-100	[8.31] 211				

ⓘ This item is available upon request.



For added convenience, DESTACO Pull Action Toggle Clamps are supplied with a thumb control lever that allows the clamp to be operated with one hand.



Replacement Thumb Control Lever	Used on Clamp Model
324-ZB1	323, 323-SS
330-ZB1	331, 331-SS 331-R, 331-RSS
341-ZB1	341, 341-SS 341-R, 341-RSS