

ALUprof®
Serie



AL

Leistengriffe AL

Werkstoff und Oberfläche:

Profil-Aluminium AlMgSi 0,5; gleitgeschliffen, matted und eloxiert in 2 Farben. Alternativ titanfarben pulverbeschichtet.

Tragkraft:
min. 200 N.

Hinweis:
Beliebige andere Griffängen auf Anfrage.

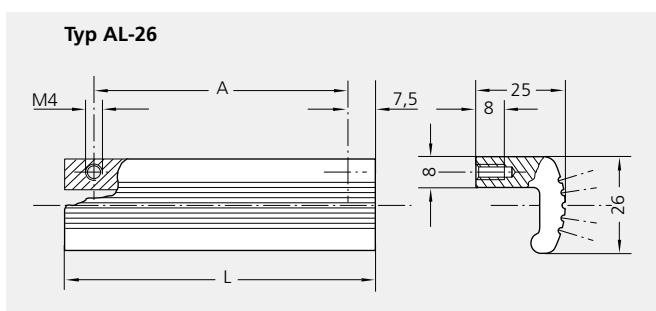
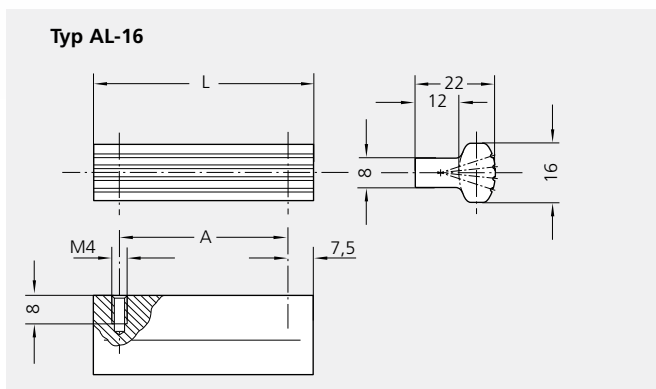
Ledge Handles AL

Material and surface:

Profiled aluminium AlMgSi 0.5; vibration ground, matted and anodized in 2 colours. Alternatively titanium coloured powder coated.

Stress resistance:
min. 200 N.

Note:
Any other handle lengths available upon request.



		Typ AL-16			Typ AL-26		
		naturfarben natural colour	schwarz black	titanfarben* titanium colour*	naturfarben natural colour	schwarz black	titanfarben* titanium colour*
A	L	Bestell-Nr. Order no.	Bestell-Nr. Order no.	Bestell-Nr. Order no.	Bestell-Nr. Order no.	Bestell-Nr. Order no.	Bestell-Nr. Order no.
30	45	AL-16.030.01	AL-16.030.04	AL-16.030.55	AL-26.030.01	AL-26.030.04	AL-26.030.55
45	60	AL-16.045.01	AL-16.045.04	AL-16.045.55	AL-26.045.01	AL-26.045.04	AL-26.045.55
70	85	AL-16.070.01	AL-16.070.04	AL-16.070.55	AL-26.070.01	AL-26.070.04	AL-26.070.55
90	105	AL-16.090.01	AL-16.090.04	AL-16.090.55	AL-26.090.01	AL-26.090.04	AL-26.090.55
105	120	AL-16.105.01	AL-16.105.04	AL-16.105.55	AL-26.105.01	AL-26.105.04	AL-26.105.55
120	135	AL-16.120.01	AL-16.120.04	AL-16.120.55	AL-26.120.01	AL-26.120.04	AL-26.120.55
Profil-Material, 1 m Profile material, 1 m		AL-16.001.01	AL-16.001.04	-	AL-26.001.01	AL-26.001.04	-

* Farbausführung siehe Seite 48-49
Colour version see page 48-49

Alle Maße in mm. / All dimensions in mm.