

Flexible Rohrkupplungen für die Verbindung von Rohrleitungen

INSTAL Breite 300 Serie IBW bis IHGW

Nenndurchmesser dient als Orientierung der Druckskala. Herstellung aller Durchmesser innerhalb des DN-Bereiches.

Dichtmanschette: EPDM
Prüfdruck = 1.5 x PS

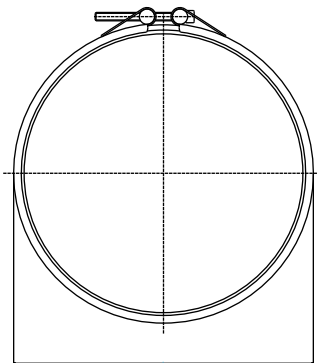
Material
W2, W4, W5

Maximaler Unterschied der Aussendurchmesser
IBW-IGW: 300 - 500 mm = 2,5 mm
500 - 1500 mm = 3,0 mm
IHFW-IHGW: 500 - 1500 mm = 2,0 mm

Maximale Auswinkelung
IBW-IGW: 300 - 1500 mm = 2,0 Grad
IHFW-IHGW: 500 - 1500 mm = 1,0 Grad

Maximaler Achsversatz
IBZ-IGZ: 300 - 500 mm = 3,0 mm
500 - 1500 mm = 2,0 mm

Toleranzen
Zulässige Toleranzen, siehe Seite 43.



| | IBW mm | ICW mm | IDW mm | IEW mm | IFW mm | IGW mm | IHFW mm | IHGW mm |
|----------------|-----------|-----------|-----------|-----------|-----------|-----------|------------|------------|
| A | 294 | 295 | 296 | 297 | 299 | 301 | 299 | 301 |
| B | 240 | 240 | 240 | 240 | 240 | 240 | 240 | 240 |
| D | DA + 23 | DA + 24 | DA + 25 | DA + 26 | DA + 28 | DA + 30 | DA + 52 | DA + 56 |
| E ¹ | 15 | 15 | 15 | 15 | 15 | 15 | 15 | 15 |
| E ² | 80 | 80 | 80 | 80 | 80 | 80 | 80 | 80 |

| DN mm | IBW | | | ICW | | | IDW | | | IEW | | | IFW | | | IGW | | | IHFW | | | IHGW | | |
|----------|-----------|---------|----------|-----------|---------|----------|-----------|---------|----------|-----------|---------|----------|-----------|---------|----------|-----------|---------|----------|-----------|---------|----------|-----------|---------|----------|
| | PS bar | M Nm | AM Nm | PS bar | M Nm | AM Nm | PS bar | M Nm | AM Nm | PS bar | M Nm | AM Nm | PS bar | M Nm | AM Nm | PS bar | M Nm | AM Nm | PS bar | M Nm | AM Nm | PS bar | M Nm | AM Nm |
| 300 | 12 | 12 | 15 | 16 | 12 | 15 | 20 | 12 | 15 | | | | | | | | | | | | | | | |
| 350 | 11 | 12 | 20 | 14 | 12 | 20 | 18 | 12 | 20 | 21 | 16 | 25 | 28 | 16 | 25 | | | | | | | | | |
| 400 | 9 | 12 | 20 | 13 | 12 | 20 | 16 | 12 | 20 | 19 | 16 | 30 | 25 | 16 | 30 | | | | | | | | | |
| 450 | 8 | 12 | 25 | 11 | 12 | 25 | 14 | 12 | 25 | 17 | 16 | 30 | 22 | 16 | 30 | | | | | | | | | |
| 500 | 8 | 12 | 25 | 10 | 12 | 25 | 13 | 12 | 25 | 15 | 16 | 35 | 20 | 16 | 35 | | | | | | | | | |
| 550 | 7 | 12 | 30 | 9 | 12 | 30 | | | | 14 | 16 | 35 | 19 | 16 | 35 | | | | | | | | | |
| 600 | 6 | 12 | 30 | 9 | 12 | 30 | | | | 13 | 16 | 40 | 17 | 16 | 40 | 21 | 20 | 40 | 27 | 20 | 50 | 32 | 20 | 50 |
| 650 | 6 | 12 | 30 | 8 | 12 | 30 | | | | 12 | 16 | 45 | 16 | 16 | 45 | 20 | 20 | 60 | 25 | 20 | 60 | 32 | 20 | 80 |
| 700 | 6 | 12 | 35 | 7 | 12 | 35 | | | | 11 | 16 | 45 | 15 | 16 | 45 | 18 | 20 | 60 | 24 | 20 | 60 | 28 | 20 | 80 |
| 750 | 5 | 12 | 35 | 7 | 12 | 35 | | | | 10 | 16 | 50 | 14 | 16 | 50 | 17 | 20 | 60 | 22 | 20 | 70 | 27 | 20 | 80 |
| 800 | 5 | 12 | 40 | | | | | | | 10 | 16 | 50 | 13 | 16 | 50 | 16 | 20 | 70 | 20 | 20 | 70 | 25 | 20 | 90 |
| 850 | | | | | | | | | | 9 | 16 | 60 | 12 | 16 | 60 | 15 | 20 | 70 | 19 | 20 | 80 | 24 | 20 | 90 |
| 900 | | | | | | | | | | 9 | 16 | 60 | 12 | 16 | 60 | 14 | 20 | 70 | 19 | 20 | 80 | 22 | 20 | 90 |
| 950 | | | | | | | | | | 8 | 16 | 60 | 11 | 16 | 60 | 14 | 20 | 80 | 17 | 20 | 80 | 22 | 20 | 100 |
| 1000 | | | | | | | | | | 8 | 16 | 70 | 10 | 16 | 70 | 13 | 20 | 80 | 16 | 20 | 90 | 20 | 20 | 100 |
| 1100 | | | | | | | | | | 7 | 16 | 70 | 9 | 16 | 70 | 12 | 20 | 90 | | | | 19 | 20 | 110 |
| 1200 | | | | | | | | | | 7 | 16 | 80 | 9 | 20 | 100 | 11 | 20 | 100 | | | | 17 | 20 | 130 |
| 1300 | | | | | | | | | | 6 | 16 | 80 | 8 | 20 | 100 | 10 | 20 | 100 | | | | 16 | 20 | 130 |
| 1400 | | | | | | | | | | 6 | 16 | 90 | 7 | 20 | 120 | 9 | 20 | 120 | | | | 14 | 20 | 150 |
| 1500 | | | | | | | | | | 5 | 16 | 100 | 7 | 20 | 120 | 9 | 20 | 120 | | | | 14 | 20 | 150 |

E¹ Zulässiger Abstand der Rohrenden ohne Bandedinlage E² Zulässiger Abstand der Rohrenden mit Bandedinlage AM Anzugsmoment
PS Dauerbetriebsdruck DN Nenndurchmesser DA Aussendurchmesser