

2007 SERIES

Vertical Hold Down Clamps | Product Overview

Features:

- Large hand clearance for improved safety
- Bolt pattern interchangeable with 207 Series
- Over two times the holding capacity of 207 Series
- Hardened bushings at key pivot points
- Near vertical clamping contact
- 5 handle colors - see page MC-PRO-7 for details

Applications:

- Checking fixtures
- Assembly & test
- Light machining
- Woodworking

Also Available:

See page MC-ACC-1 for accessories
Accepts M8 or 5/16 spindle accessories

Covered under one or more U.S./International Patents

2007-U/USS
Flanged Base
U-Bar



-USS Stainless
Steel Model



2007-U-LS-BLK ⓘ
Blackout Series
Flanged Base
U-Bar



2007-S
Flanged Base
Solid Bar



2007-UB
Straight Base
U-Bar



2007-UB-LS-BLK ⓘ
Blackout Series
Straight Base
U-Bar



2007-SB
Straight Base
Solid Bar



2007-UR/URSS
Flanged Base
U-Bar
DESTACO®
Toggle Lock Plus



-URSS Stainless
Steel Model



2007-SR ⓘ
Flanged Base
Solid Bar
DESTACO®
Toggle Lock Plus



2007-UBR
Straight Base
U-Bar
DESTACO®
Toggle Lock Plus



2007-SBR ⓘ
Straight Base
Solid Bar
DESTACO®
Toggle Lock Plus



2007-UF
Front Mount Base
U-Bar



Color Handles
Available on models
in this series that use
standard red handles.*
Add **-Y, -G, -B, -K** to
end of model number.

*Excludes Blackout Series,
Toggle Lock Plus levers
or dipped handles.



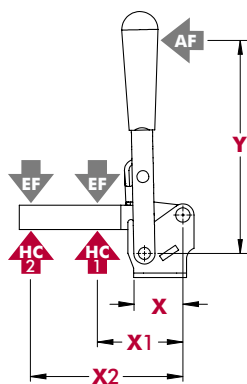
2007 SERIES

Vertical Hold Down Clamps | Technical Information

Model	Max. Holding Capacity	Clamp Bar Opening (+10°)	Handle Opening (+10°)	Weight	Accessories (Supplied)		
					Bolt Retainer	Spindle Assembly	Flanged Washers
2007-U	[1000 lbf] 4450 N	76°	64°	[1.20 lbs] 0,54 kg	--	2007208-M	507107
2007-USS					--	207943-M	507907
2007-U-LS-BLK ⓘ					--	--	507107-BLK
2007-S					2007115-E	--	--
2007-UB					--	2007208-M	507107
2007-UB-LS-BLK ⓘ					--	--	507107-BLK
2007-SB					2007115-E	--	--
2007-UR					--	2007208-M	507107
2007-URSS					--	207943-M	507907
2007-SR ⓘ					2007115-E	--	--
2007-UBR					--	2007208-M	507107
2007-SBR ⓘ					2007115-E	--	--
2007-UF					[1.57 lbs] 0,71 kg	--	2007208-M

ⓘ This item is available upon request

Holding Capacities



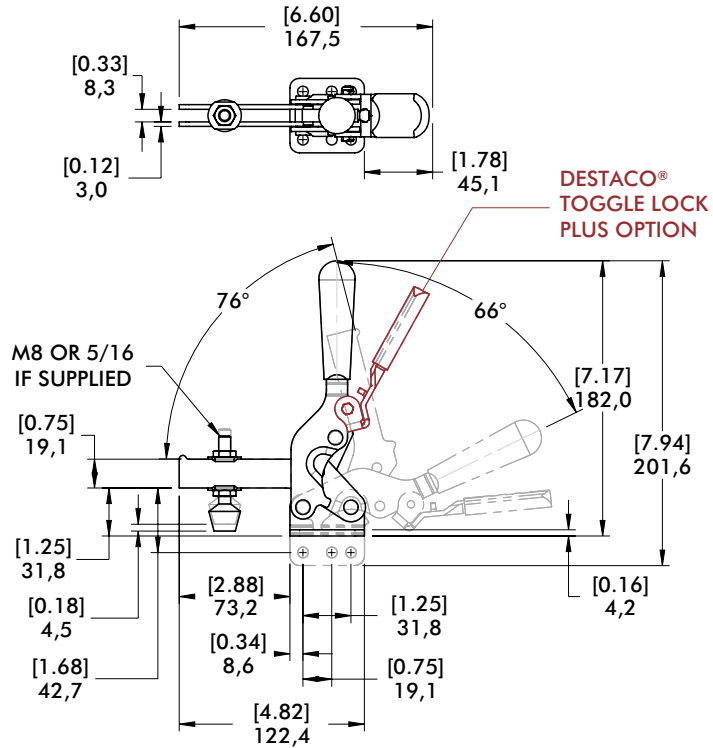
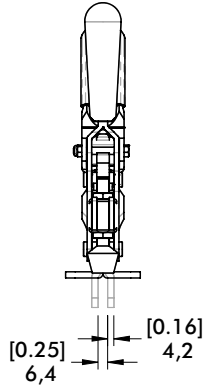
Model	X	X1	X2	Y	±HC1	±HC2	±EF(X1):AF	±EF(X2):AF
2007-()	[1.59] 40,5	[1.95] 49,5	[3.92] 99,5	[5.16] 131	[1000 lbf] 4450 N	[470 lbf] 2090 N	10:1	5.3:1

Dimensions shown "mm [inch]" ± HC = Holding Capacity, EF = Exerting Force, AF = Applied Force
See page MC-TEC-4 for additional information.

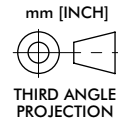
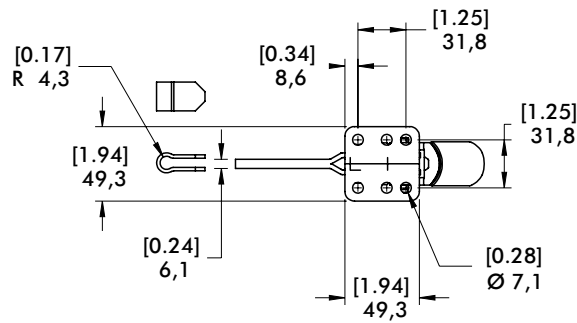
2007 SERIES

Vertical Hold Down Clamps | Dimensions | -U/-USS/-S/-UB/-SB/-UR/-URSS/-SR/-UBR/-SBR

2007-U
Flanged Base
U-Bar



2007-SB
Straight Base
Solid Bar



2007-UF
 Flanged Base
 U-Bar
 DESTACO®
 Toggle Lock
 Plus

