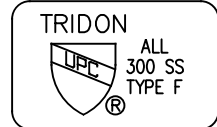
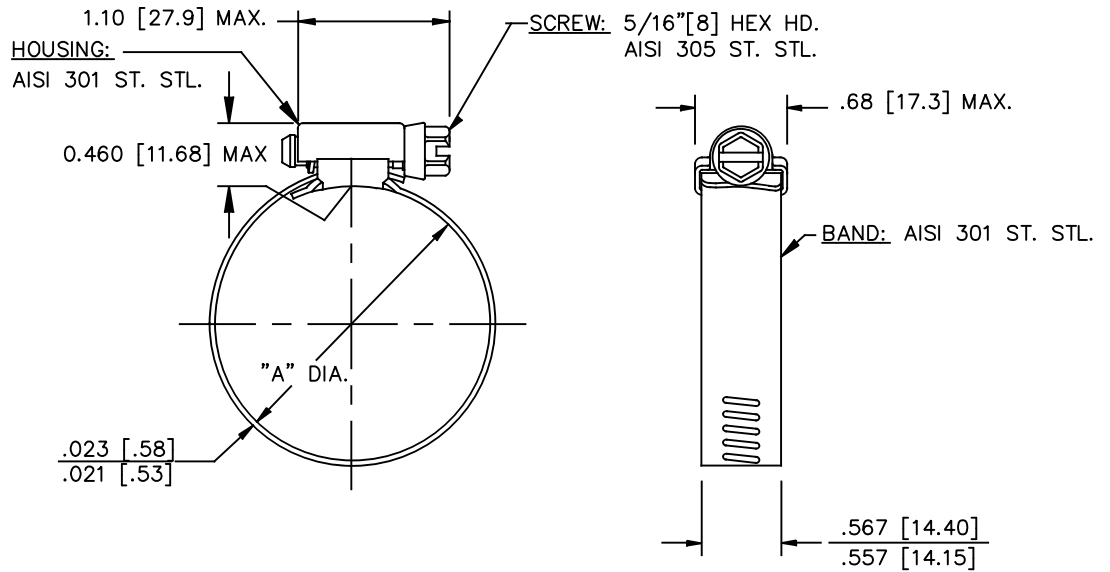


SAE SIZE	TRIDON PART NUMBER	"A" DIA.	
		MIN.-MAX.	MIN.-MAX.
		mm	INCH
06	63014 0006	10 - 22	0.38 - 0.87
08	63014 0008	11 - 25	0.44 - 1.00
10	63014 0010	13 - 27	0.50 - 1.06
12	63014 0012	13 - 32	0.50 - 1.25
16	63014 0016	18 - 38	0.69 - 1.50
20	63014 0020	19 - 44	0.75 - 1.75
24	63014 0024	13 - 51	0.50 - 2.00
28	63014 0028	32 - 57	1.25 - 2.25
32	63014 0032	38 - 63	1.50 - 2.50
36	63014 0036	19 - 70	0.75 - 2.75
40	63014 0040	26 - 76	1.00 - 3.00
44	63014 0044	32 - 83	1.25 - 3.25
48	63014 0048	38 - 89	1.50 - 3.50
52	63014 0052	44 - 95	1.75 - 3.75
56	63014 0056	51 - 101	2.00 - 4.00
60	63014 0060	57 - 108	2.25 - 4.25
64	63014 0064	64 - 114	2.50 - 4.50
72	63014 0072	76 - 127	3.00 - 5.00
80	63014 0080	89 - 140	3.50 - 5.50
88	63014 0088	102 - 152	4.00 - 6.00
96	63014 0096	114 - 165	4.50 - 6.50
104	63014 0104	127 - 178	5.00 - 7.00
116	63014 0116	146 - 197	5.75 - 7.75
128	63014 0128	64 - 216	2.50 - 8.50
140	63014 0140	64 - 235	2.50 - 9.25
152	63014 0152	64 - 254	2.50 - 10.00
164	63014 0164	64 - 273	2.50 - 10.75
176	63014 0176	64 - 292	2.50 - 11.50
188	63014 0188	64 - 311	2.50 - 12.25
208	63014 0208	64 - 343	2.50 - 13.50
224	63014 0224	64 - 368	2.50 - 14.50
236	63014 0236	64 - 387	2.50 - 15.25
248	63014 0248	64 - 406	2.50 - 16.00
260	63014 0260	64 - 425	2.50 - 16.75
272	63014 0272	64 - 445	2.50 - 17.50
312	63014 0312	64 - 508	2.50 - 20.00
380	63014 0380	64 - 616	2.50 - 24.25
408	63014 0408	87 - 660	3.43 - 26.00
464	63014 0464	93 - 749	3.67 - 29.50
760	63014 0760	64 - 1219	2.50 - 48.00



HOUSING MARKING

RECOMMENDED INSTALLATION TORQUE: 35 IN-LBS. (4.0 NM) FOR MOST APPLICATIONS.
 RECOMMENDED INSTALLATION RPM; NOT TO EXCEED 400
 MEETS REQUIREMENTS OF: SAE J1508 TYPE F
 CLAMP "OUT OF ROUND" ALLOWANCE TO BE 15% MAX
 VALIDATION FOR SPECIFIC APPLICATION IS THE RESPONSIBILITY OF THE CUSTOMER

IDEAL CLAMP PRODUCTS, INC. SMYRNA, TN 37167

INCH [mm]

	DIMENSIONS IN PARENTHESIS ARE REFERENCE ONLY UNLESS OTHERWISE SPECIFIED TOLERANCES ARE INCH[mm] X.X ±0.06 [1.5] X.XXX ±0.005 [.13] FRACTION ±1/64 X.XX ±0.015 [.25] X.XXXX ±0.005 [.13] ANGLES ± 3°		SCALE	TITLE
			NTS	9/16" TRIDON UPC SERIES ALL 300 ST. STL. CUSTOMER DRAWING
	DWN	CJC	16MAY17	MAIL
CHK	JBN	16MAY17	TREAT	AS NOTED
APP	XX	XX	FINISH	AS NOTED
CONFIDENTIAL THIS DOCUMENT CONTAINS CONFIDENTIAL INFORMATION BELONGING TO IDEAL ITS CONTENTS ARE NOT TO BE USED OR DISCLOSED TO OTHERS FOR ANY PURPOSE WITHOUT THE EXPRESS CONSENT OF IDEAL.			DWG NO	ISSUE
			63014 XXXX	1

REV	DESCRIPTION	ECN	DATE	BY
1	ESTABLISH CUSTOMER DRAWING ESR-17755	22726	16MAY17	CJC