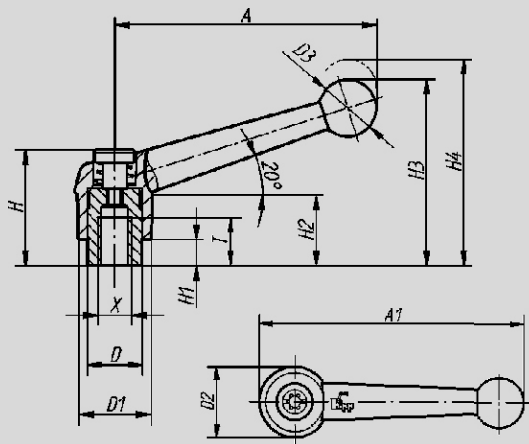


# Klemmhebel, NIROSTA-Einsatz, Innengewinde



## Klemmhebel

mit Innengewinde,  
Stahlteile aus NIROSTA

Griffhebel aus Zinkdruckguss  
nach DIN 1743, kunststoff-  
beschichtet

Stahlteile blank, NIROSTA  
X 10 CrNiS 18 9 = 1.4305

Form B: schwarz, seidenmatt

Form S: silber metallic



Nr. 02 652

Bestellbeispiel

02652.S1M05

Form S silber metallic

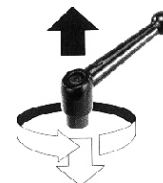
Größe 1

Inneng. M05

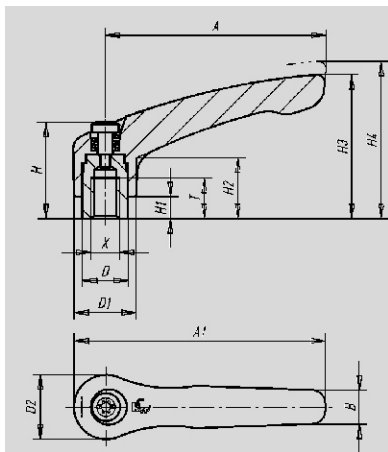


| Größe | Innen-<br>gewinde<br>X* | T  | D    | D1 | D2   | D3   | H    | H1** | H2   | H3   | H4   | A   | A1  | Zähne-<br>zahl | kg    |
|-------|-------------------------|----|------|----|------|------|------|------|------|------|------|-----|-----|----------------|-------|
| 1     | M 5                     | 9  | 10,0 | 13 | 14,0 | 10,5 | 24,5 | 4,0  | 15,0 | 32,5 | 35,5 | 39  | 46  | 16             | 0,030 |
| 1     | M 6                     | 9  | 10,0 | 13 | 14,0 | 10,5 | 24,5 | 4,0  | 15,0 | 32,5 | 35,5 | 39  | 46  | 16             | 0,030 |
| 2     | M 6                     | 12 | 13,5 | 18 | 18,5 | 15,5 | 28,5 | 6,5  | 16,5 | 45,5 | 49,5 | 64  | 73  | 20             | 0,080 |
| 2     | M 8                     | 12 | 13,5 | 18 | 18,5 | 15,5 | 28,5 | 6,5  | 16,5 | 45,5 | 49,5 | 64  | 73  | 20             | 0,080 |
| 3     | M 8                     | 14 | 16,0 | 21 | 22,0 | 17,0 | 37,0 | 10,0 | 23,0 | 57,5 | 61,5 | 79  | 90  | 22             | 0,120 |
| 3     | M 10                    | 14 | 16,0 | 21 | 22,0 | 17,0 | 37,0 | 10,0 | 23,0 | 57,5 | 61,5 | 79  | 90  | 22             | 0,120 |
| 4     | M 10                    | 17 | 19,0 | 25 | 26,0 | 19,0 | 42,5 | 10,0 | 26,0 | 67,0 | 72,0 | 95  | 108 | 24             | 0,190 |
| 4     | M 12                    | 17 | 19,0 | 25 | 26,0 | 19,0 | 42,5 | 10,0 | 26,0 | 67,0 | 72,0 | 95  | 108 | 24             | 0,190 |
| 5     | M 12                    | 23 | 23,0 | 30 | 31,0 | 22,0 | 49,0 | 12,0 | 32,0 | 79,0 | 84,0 | 110 | 126 | 26             | 0,300 |
| 5     | M 16                    | 23 | 23,0 | 30 | 31,0 | 22,0 | 49,0 | 12,0 | 32,0 | 79,0 | 84,0 | 110 | 126 | 26             | 0,300 |

Ausrasten  
durch Anheben



# Klemmhebel, NIROSTA-Einsatz, Innengewinde



## Klemmhebel

mit Innengewinde,  
Stahlteile aus NIROSTA

Griffhebel aus Zinkdruckguss  
nach DIN 1743, kunststoff-  
beschichtet

Stahlteile blank, NIROSTA  
X 10 CrNiS 18 9 = 1.4305

Form B: schwarz, seidenmatt

Form C: orange - RAL 2004



Nr. 02 650

Bestellbeispiel

02650.B1M05

Form B schwarz

Größe 1

X M05



\* Weitere Innengewinde auf Anfrage. \*\* Maß "H1" auf Wunsch in anderen Längen gegen Aufpreis lieferbar.

| Größe | X*<br>Innen-<br>gewinde | T  | D    | D1   | D2   | H    | H1** | H2   | H3   | H4   | A   | A1    | B    | Zähne-<br>zahl | kg    |
|-------|-------------------------|----|------|------|------|------|------|------|------|------|-----|-------|------|----------------|-------|
| 0     | M 3                     | 9  | 10,0 | 13,0 | 14,0 | 24,5 | 4,0  | 14,5 | 30,0 | 33,0 | 30  | 37,0  | 7,0  | 16             | 0,036 |
| 0     | M 4                     | 9  | 10,0 | 13,0 | 14,0 | 24,5 | 4,0  | 14,5 | 30,0 | 33,0 | 30  | 37,0  | 7,0  | 16             | 0,036 |
| 0     | M 5                     | 9  | 10,0 | 13,0 | 14,0 | 24,5 | 4,0  | 14,5 | 30,0 | 33,0 | 30  | 37,0  | 7,0  | 16             | 0,036 |
| 1     | M 5                     | 9  | 10,0 | 13,0 | 14,0 | 24,5 | 4,0  | 14,5 | 31,0 | 34,0 | 40  | 47,0  | 7,0  | 16             | 0,040 |
| 1     | M 6                     | 9  | 10,0 | 13,0 | 14,0 | 24,5 | 4,0  | 14,5 | 31,0 | 34,0 | 40  | 47,0  | 7,0  | 16             | 0,040 |
| 2     | M 6                     | 12 | 13,5 | 18,5 | 19,0 | 28,5 | 6,5  | 17,5 | 42,5 | 45,5 | 65  | 74,5  | 9,5  | 20             | 0,090 |
| 2     | M 8                     | 12 | 13,5 | 18,5 | 19,0 | 28,5 | 6,5  | 17,5 | 42,5 | 45,5 | 65  | 74,5  | 9,5  | 20             | 0,090 |
| 3     | M 8                     | 14 | 16,0 | 21,0 | 22,0 | 37,0 | 10,0 | 24,0 | 54,5 | 58,5 | 80  | 91,0  | 11,0 | 22             | 0,130 |
| 3     | M 10                    | 14 | 16,0 | 21,0 | 22,0 | 37,0 | 10,0 | 24,0 | 54,5 | 58,5 | 80  | 91,0  | 11,0 | 22             | 0,130 |
| 4     | M 10                    | 17 | 19,0 | 27,0 | 27,5 | 43,0 | 10,0 | 27,0 | 63,0 | 67,5 | 95  | 109,0 | 13,0 | 24             | 0,210 |
| 4     | M 12                    | 17 | 19,0 | 27,0 | 27,5 | 43,0 | 10,0 | 27,0 | 63,0 | 67,5 | 95  | 109,0 | 13,0 | 24             | 0,210 |
| 5     | M 12                    | 23 | 23,0 | 31,0 | 32,0 | 49,0 | 12,0 | 31,5 | 73,0 | 77,5 | 110 | 126,0 | 15,0 | 26             | 0,330 |
| 5     | M 16                    | 23 | 23,0 | 31,0 | 32,0 | 49,0 | 12,0 | 31,5 | 73,0 | 77,5 | 110 | 126,0 | 15,0 | 26             | 0,330 |

