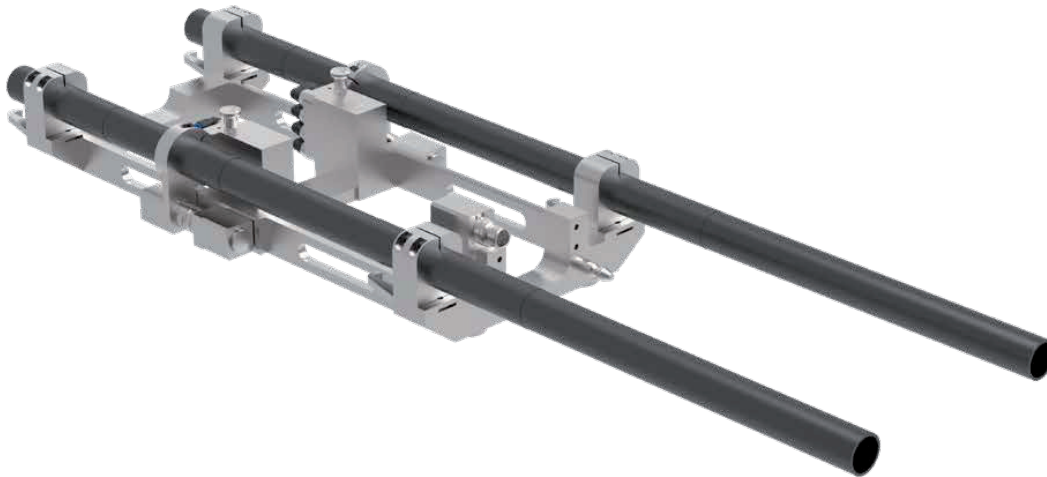


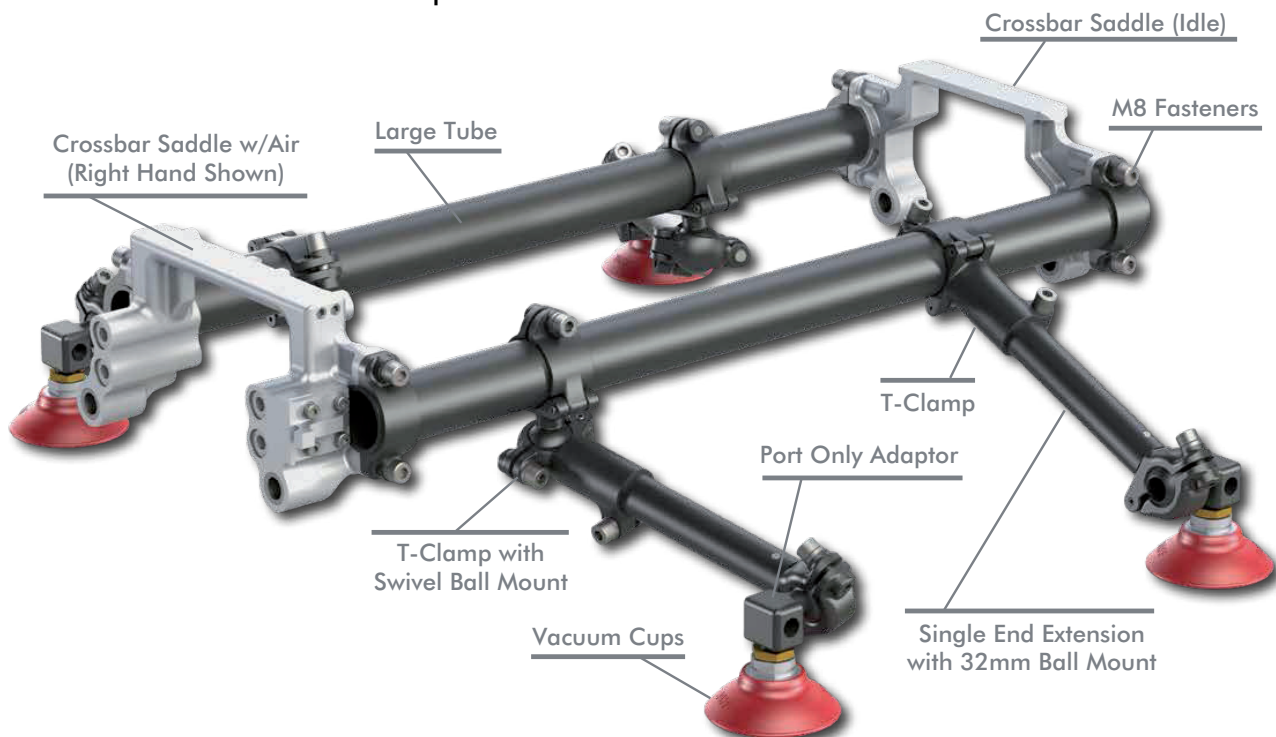
## Accelerate® Tooling Collection | Configuration Types

### SGM Cross Bar Saddle Tooling 40mm (PXL/PL and PGB/PGA Press Tooling)



Model Number	Description
CPI-SGM-40-1200-RF-EL	Crossbar ASSY, SGM, 40mm Tube x 1200mm Length, Right Front, with Electric
CPI-SGM-40-1200-RR-EL	Crossbar ASSY, SGM, 40mm Tube x 1200mm Length, Right Rear, with Electric
CPI-SGM-40-1200-LF-EL	Crossbar ASSY, SGM, 40mm Tube x 1200mm Length, Left Front, with Electric
CPI-SGM-40-1200-LR-EL	Crossbar ASSY, SGM, 40mm Tube x 1200mm Length, Left Rear, with Electric

### LWT Saddle Crossbar Tool Example



Dimensions and technical information are subject to change without notice