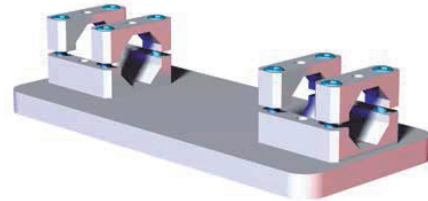
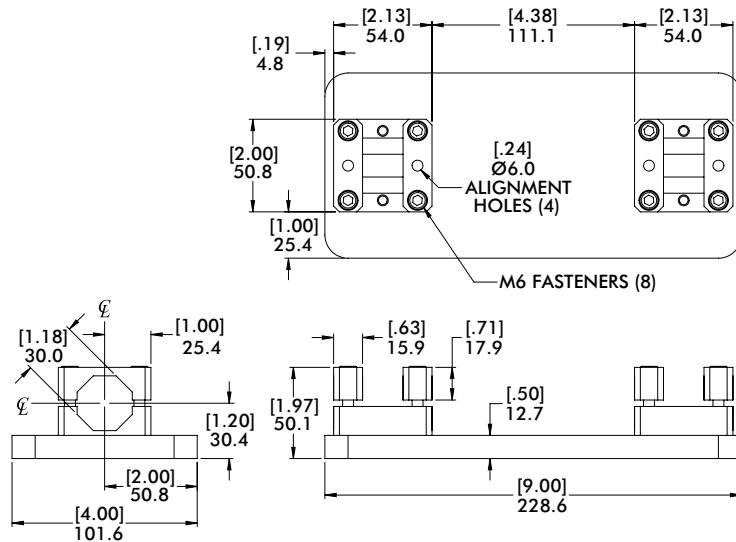


BODYBUILDER™ MID-MOUNT ASSEMBLIES

BodyBuilder™ Octagonal Tooling | Dimensions | Technical Specifications



RMM-30B-SE Single Extrusion 60mm Robot Adaptor Mid Mount

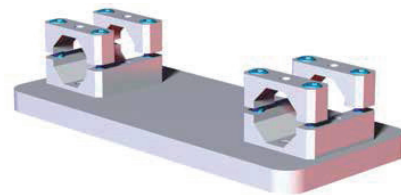
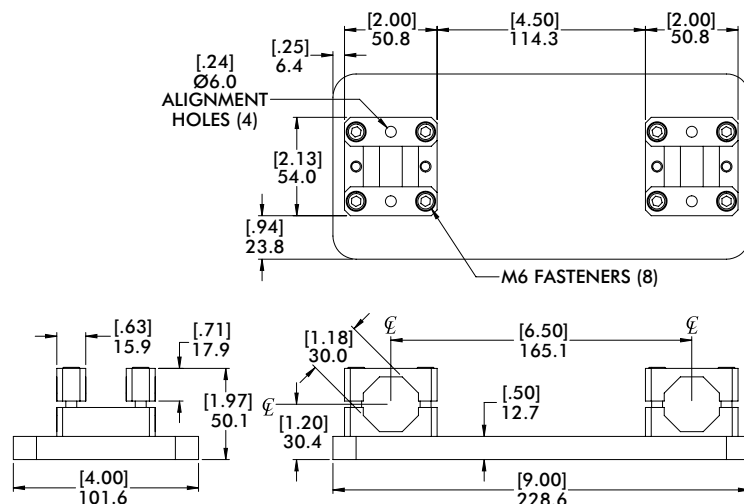


Specifications:

Max. Static Product Load:
102 Nm [75 ft-lb] Material:
Aluminum

Model Number	Weight
CPI-RMM-30B-SE	1.05 kg [2.31 lb]

RMM-30B-DE Double Extrusion 30mm Robot Adaptor Mid Mount



Specifications:

Max. Static Product Load:
102 Nm [75 ft-lb] Material:
Aluminum

Model Number	Weight
CPI-RMM-30B-DE	1.05 kg [2.31 lb]

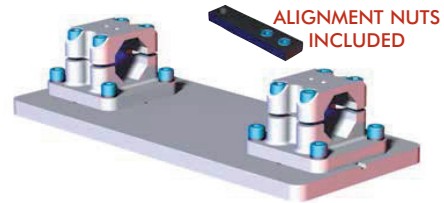
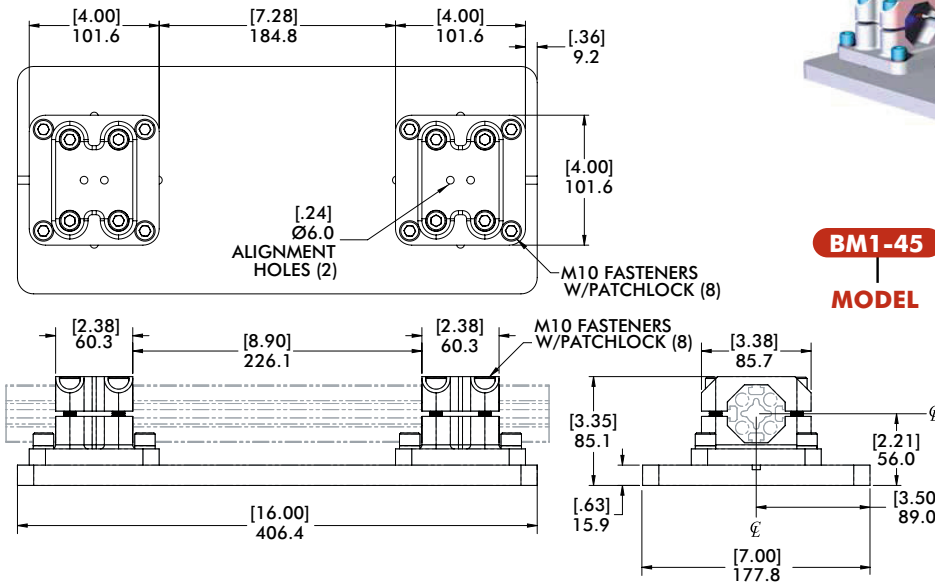
Dimensions and technical information are subject to change without notice



BODYBUILDER™ MID MOUNT ASSEMBLIES

BodyBuilder™ Octagonal Tooling | Dimensions | Technical Specifications

BM1-45-SE Single Extrusion 45mm Mid Mount



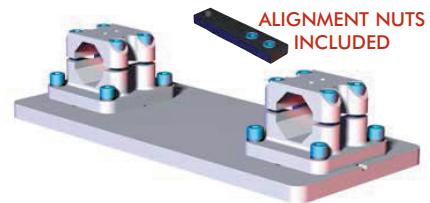
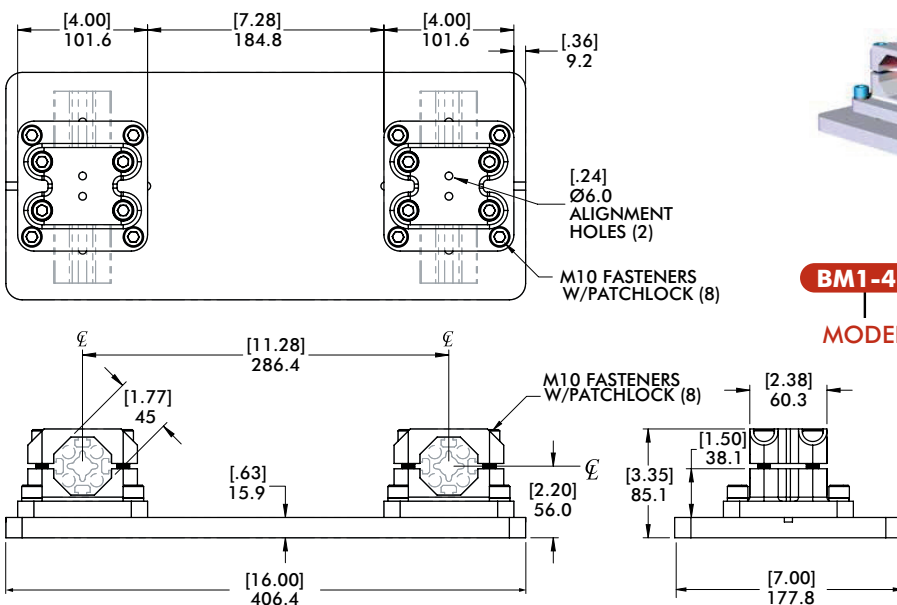
BM1-45 — **SE** — **RXX**
MODEL — **BOOM SETUP (SINGLE)** — **ROBOT INTERFACE PATTERN (PAGE 19-21)**

Specifications:
 Max. Static Product Load:
 350 Nm [258 ft-lb]
 Material: Aluminum

Weight
 5.05 kg [11.1 lb]

Can be supplied with robot interface hole patterns. (See pages 19-21).

BM1-45-DE Double Extrusion 45mm Mid Mount



BM1-45 — **DE** — **RXX**
MODEL — **BOOM SETUP (DOUBLE)** — **ROBOT INTERFACE PATTERN (PAGE 19-21)**

Specifications:
 Max. Static Product Load:
 350 Nm [258 ft-lb]
 Material: Aluminum

Weight
 5.05 kg [11.1 lb]

Can be supplied with robot interface hole patterns.

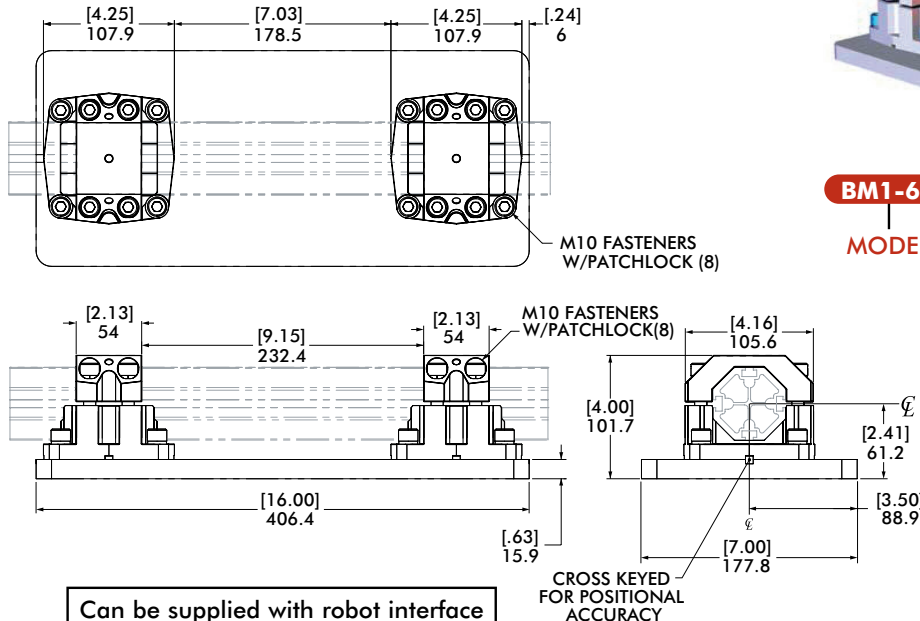
Dimensions and technical information are subject to change without notice

BODYBUILDER™ MID MOUNT ASSEMBLIES

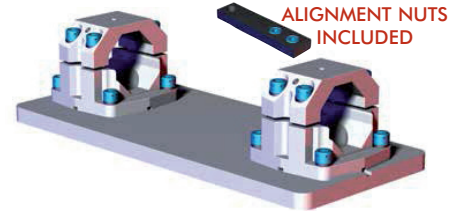
BodyBuilder™ Octagonal Tooling | Dimensions | Technical Specifications



BM1-60-SE 60mm Single Extrusion Mid Mount Assembly



Can be supplied with robot interface hole patterns. (See pages 19-21).

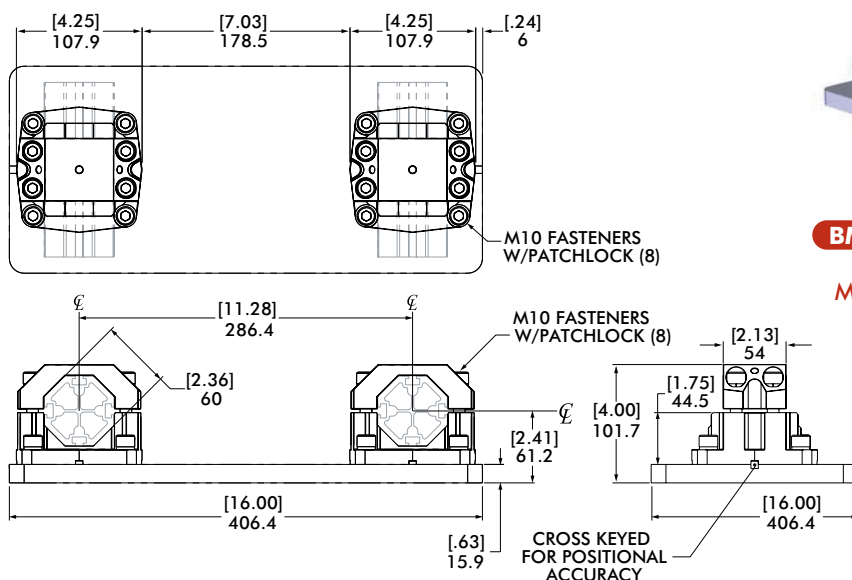


BM1-60	SE	RXX
MODEL	BOOM SETUP (SINGLE)	ROBOT INTERFACE PATTERN (PAGE 19-21)

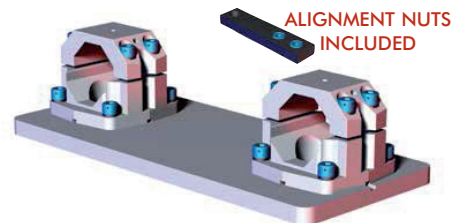
Specifications:
 Max. Static Product Load:
 675 Nm [500 ft-lb]
 Material: Aluminum

Weight
 5.2 kg [11.5 lb]

BM1-60-DE 60mm Double Extrusion Mid Mount Assembly



Can be supplied with robot interface hole patterns.



BM1-60	DE	RXX
MODEL	BOOM SETUP (DOUBLE)	ROBOT INTERFACE PATTERN (PAGE 19-21)

Specifications:
 Max. Static Product Load:
 675 Nm [500 ft-lb]
 Material: Aluminum

Weight
 5.2 kg [11.5 lb]

Dimensions and technical information are subject to change without notice



BODYBUILDER™ MID MOUNT ASSEMBLIES

BodyBuilder™ Octagonal Tooling | Dimensions | Technical Specifications

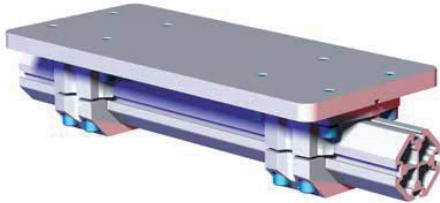
BM1-45/BM1-60 Mid Mount Assembly - Mount Plate

Specifications:

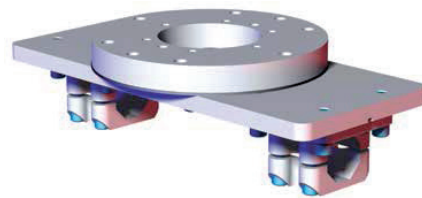
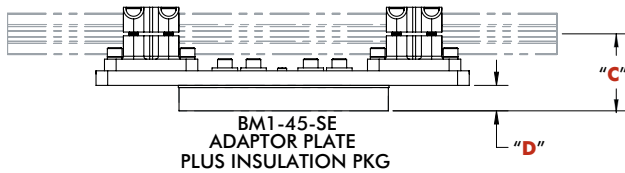
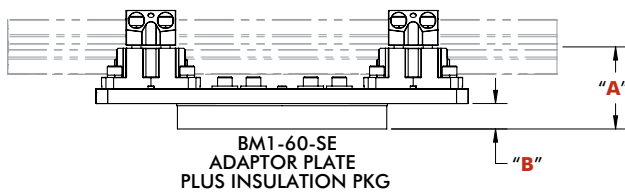
Material: Aluminum

Features:

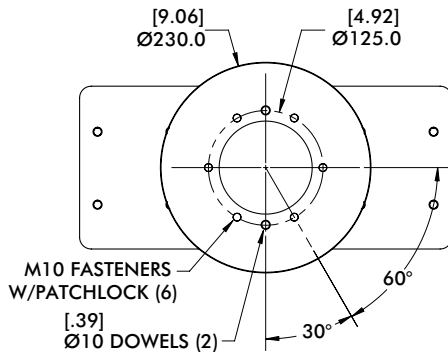
- Can be machined or left blank.
- Can be supplied with robot interface hole patterns. (See pages 19-21).



BM1-45/BM1-60 Mid Mount Assembly - Adapter Plate



All mounting patterns on pages 19-21 can be used for **BM1-60** and **BM1-45** Mid Mount Assemblies. All $\varnothing 200\text{mm}$ mounting patterns, when used on the **BM1-45** and **BM1-60**, includes an Adapter Plate as shown.



MID MOUNT ASSEMBLY ADAPTER PLATE

PATTERN	"A"	"B"	"C"	"D"
R01, R10, R11, R16	89.6 [3.53]	27.8 [1.09]	83.8 [3.30]	27.8 [1.09]
R07, R09	96.0 [3.78]	34.1 [1.34]	99.6 [3.92]	34.1 [1.34]

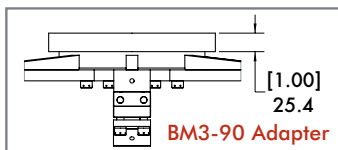
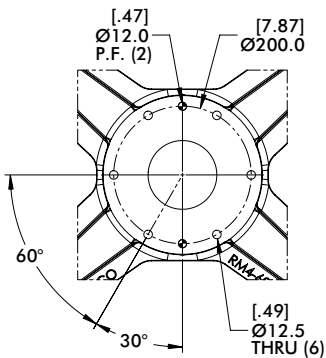
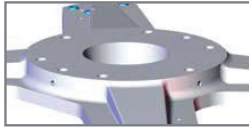
Dimensions and technical information are subject to change without notice

BODYBUILDER™ MID MOUNT BOLT PATTERNS

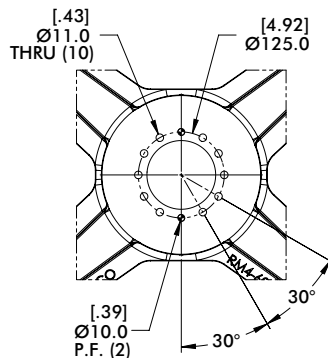
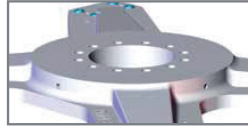
BodyBuilder™ Octagonal Tooling | Robot Interface Bolt Patterns



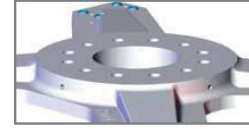
R01 (Ø200mm Bolt Circle)



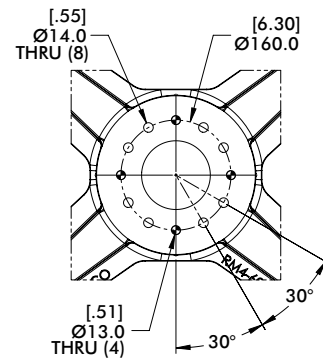
R02 (Ø125mm Bolt Circle)



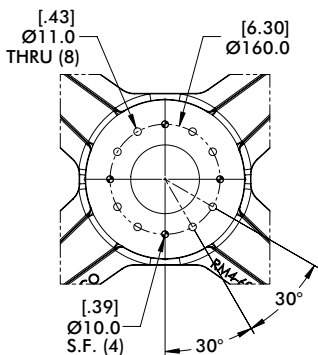
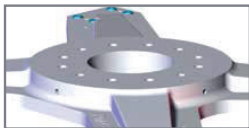
R03 (Ø160mm Bolt Circle)



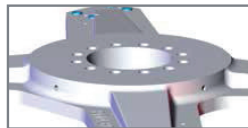
Includes Insulation
Add 1.5mm to Height Dim "A"/"AS"



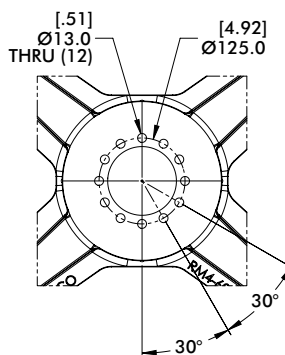
R04 (Ø160mm Bolt Circle)



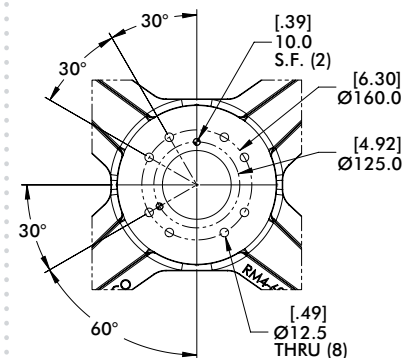
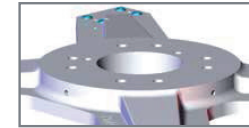
R05 (Ø125mm Bolt Circle)



Includes Insulation
Add 1.5mm to Height Dim "A"/"AS"



R06 (Ø125/160mm Bolt Circle)



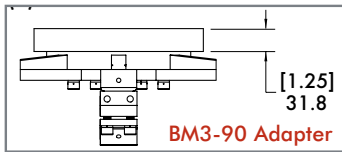
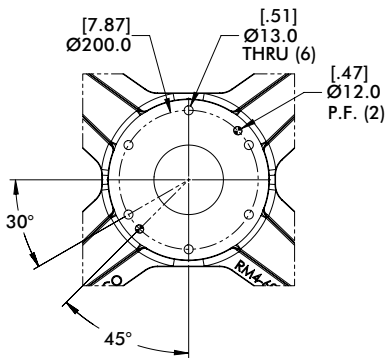
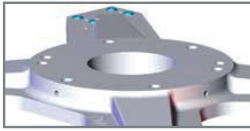
Dimensions and technical information are subject to change without notice



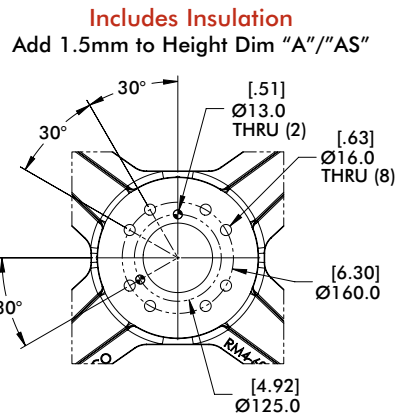
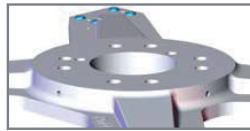
BODYBUILDER™ MID MOUNT BOLT PATTERNS

BodyBuilder™ Octagonal Tooling | Robot Interface Bolt Patterns

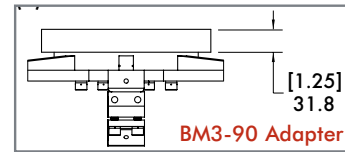
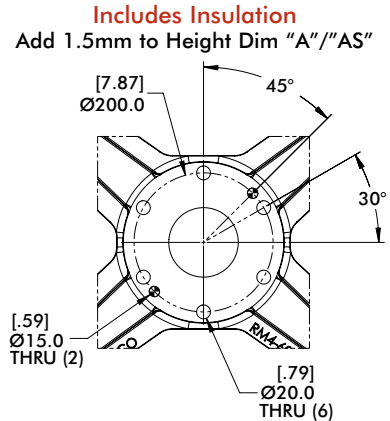
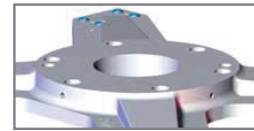
R07 (Ø200mm Bolt Circle)



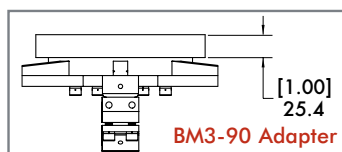
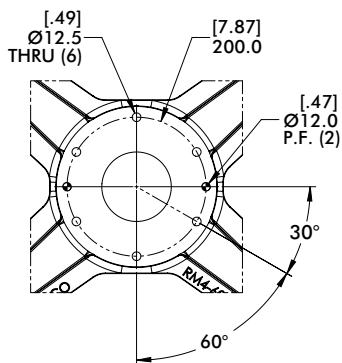
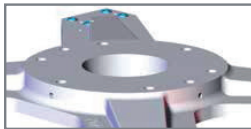
R08 (Ø125/160mm Bolt Circle)



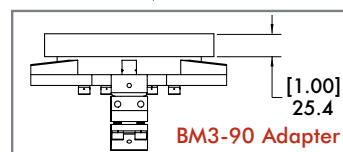
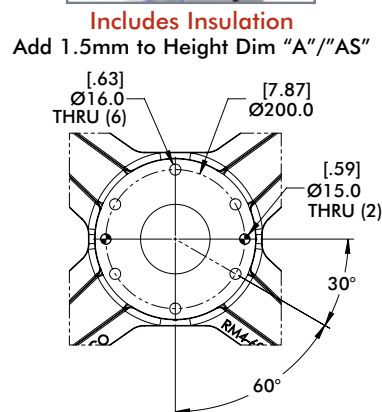
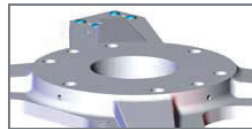
R09 (Ø200mm Bolt Circle)



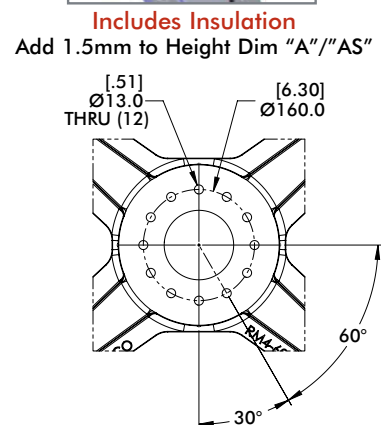
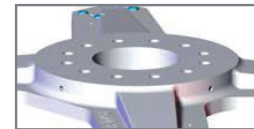
R10 (Ø200mm Bolt Circle)



R11 (Ø200mm Bolt Circle)



R12 (Ø160mm Bolt Circle)



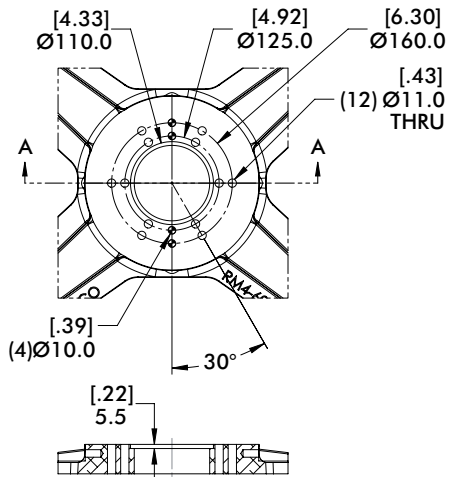
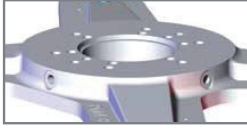
Dimensions and technical information are subject to change without notice

BODYBUILDER™ MID MOUNT BOLT PATTERNS

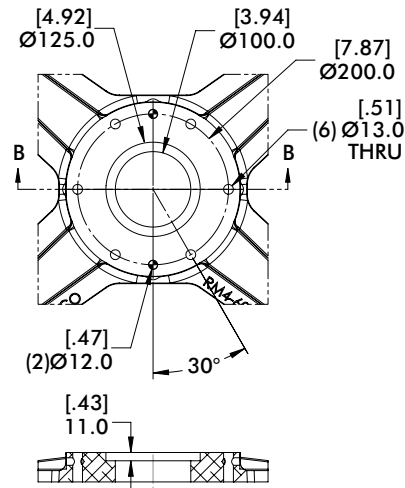
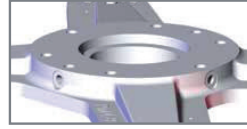


BodyBuilder™ Octagonal Tooling | Robot Interface Bolt Patterns

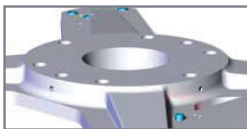
**R13 (Ø125/160mm Bolt Circle)
(Ø110mm Pilot, 5.5mm Deep)**



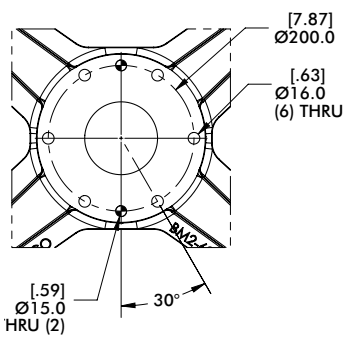
**R14 (Ø200mm Bolt Circle)
(Ø125mm Pilot, 11mm Deep)**



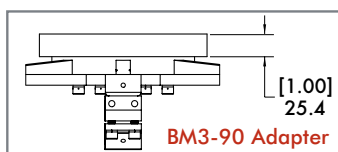
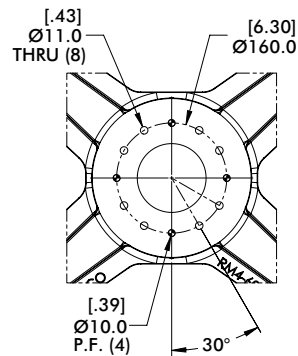
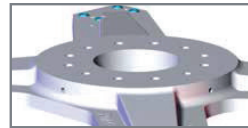
R16 (Ø200mm Bolt Circle)



Includes Insulation
Add 1.5mm to Height Dim "A"/"AS"



R17 (Ø160mm Bolt Circle)



Dimensions and technical information are subject to change without notice