

LG

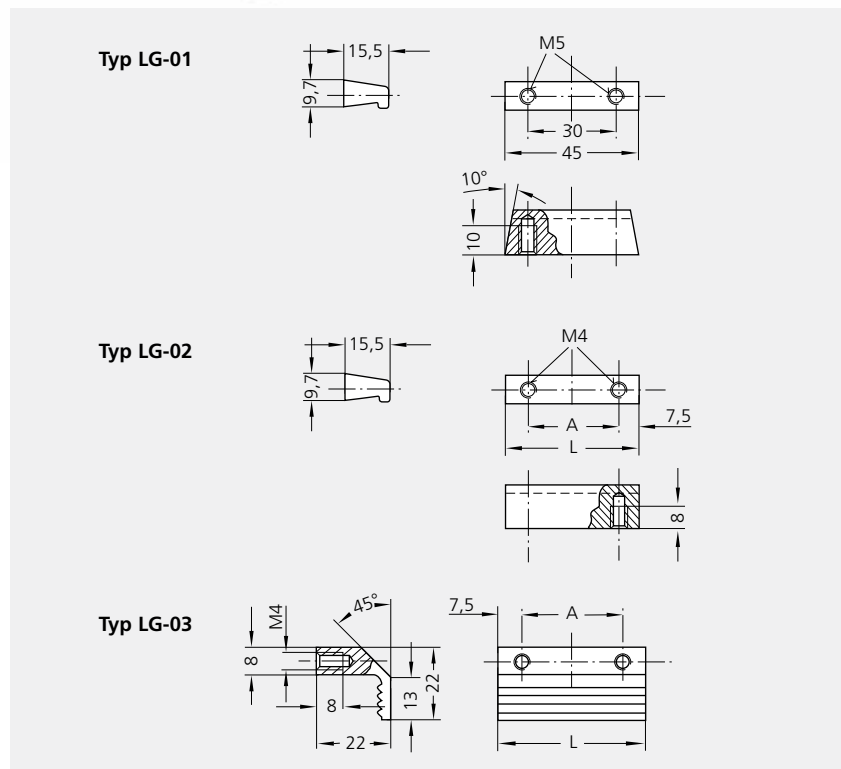
Leistunggriffe LG

Werkstoff und Oberfläche:
Profil-Aluminium AlMgSi 0,5;
gleitgeschliffen, mattiert und
naturfarben oder schwarz
eloxiert.

Tragkraft:
min. 200 N.

Hinweis:
Beliebige andere Griffängen
auf Anfrage.

Farb-Sonderausführungen ent-
sprechend den Lieferangaben
auf Seite 7.



A	L	Typ LG-01		Typ LG-02		Typ LG-03	
		naturfarben natural colour	schwarz black	naturfarben natural colour	schwarz black	naturfarben natural colour	schwarz black
		Bestell-Nr. Order no.	Bestell-Nr. Order no.	Bestell-Nr. Order no.	Bestell-Nr. Order no.	Bestell-Nr. Order no.	Bestell-Nr. Order no.
30	45	LG-01.030.01	LG-01.030.04	LG-02.030.01	LG-02.030.04	LG-03.030.01	LG-03.030.04
45	60	-	-	LG-02.045.01	LG-02.045.04	LG-03.045.01	LG-03.045.04
70	85	-	-	LG-02.070.01	LG-02.070.04	LG-03.070.01	LG-03.070.04
90	105	-	-	LG-02.090.01	LG-02.090.04	LG-03.090.01	LG-03.090.04
105	120	-	-	LG-02.105.01	LG-02.105.04	LG-03.105.01	LG-03.105.04
Profil-Material, 1 m Profile material, 1 m		-	-	LG-02.001.01	LG-02.001.04	LG-03.001.01	LG-03.001.04



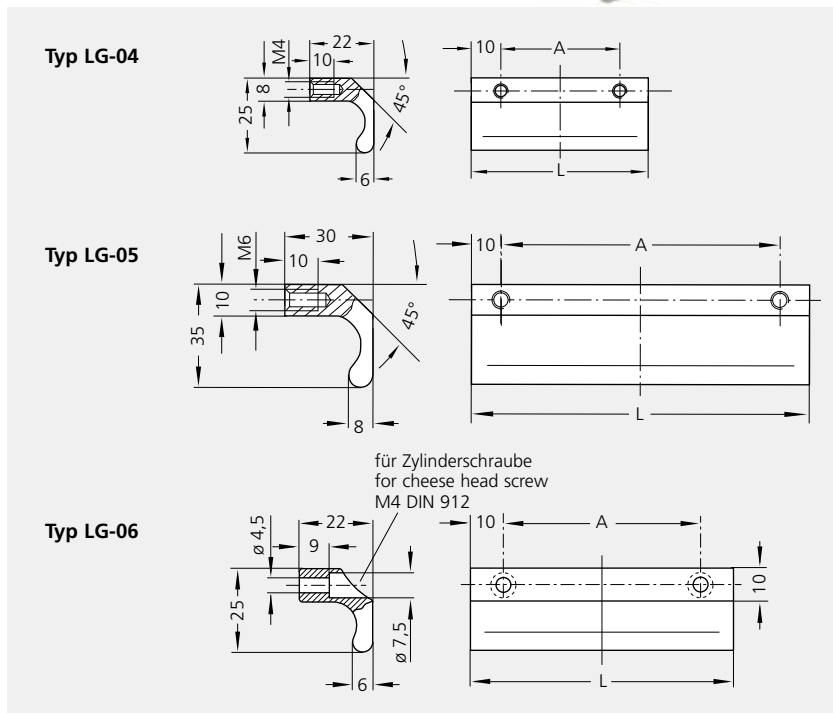
LG

Ledge Handles LG

Material and surface:
Profiled aluminium AlMgSi 0.5;
vibration ground, and anodized with a matt finish in natural or black colour.

Stress resistance:
min. 200 N.

Note:
Any other handle lengths available on request.
Custom colours available in accordance with terms of delivery on page 7.



		Typ LG-04		Typ LG-05		Typ LG-06	
		naturfarben natural colour	schwarz black	naturfarben natural colour	schwarz black	naturfarben natural colour	schwarz black
A	L	Bestell-Nr. Order no.	Bestell-Nr. Order no.	Bestell-Nr. Order no.	Bestell-Nr. Order no.	Bestell-Nr. Order no.	Bestell-Nr. Order no.
30	50	LG-04.030.01	LG-04.030.04	-	-	-	-
45	65	LG-04.045.01	LG-04.045.04	-	-	-	-
64	84	LG-04.064.01	LG-04.064.04	LG-05.064.01	LG-05.064.04	LG-06.F064.01	LG-06.F064.04
70	90	LG-04.070.01	LG-04.070.04	LG-05.070.01	LG-05.070.04	LG-06.F070.01	LG-06.F070.04
80	100	LG-04.080.01	LG-04.080.04	LG-05.080.01	LG-05.080.04	LG-06.F080.01	LG-06.F080.04
90	110	LG-04.090.01	LG-04.090.04	LG-05.090.01	LG-05.090.04	LG-06.F090.01	LG-06.F090.04
105	125	-	-	LG-05.105.01	LG-05.105.04	LG-06.F105.01	LG-06.F105.04
Profil-Material, 1m Profile material, 1 m		LG-04.001.01	LG-04.001.04	LG-05.001.01	LG-05.001.04	LG-06.001.01	LG-06.001.04

Alle Maße in mm. / All dimensions in mm.