

BODYBUILDER™ STRUCTURE MID MOUNT ASSEMBLIES

BodyBuilder™ Octagonal Tooling | Dimensions | Technical Specifications



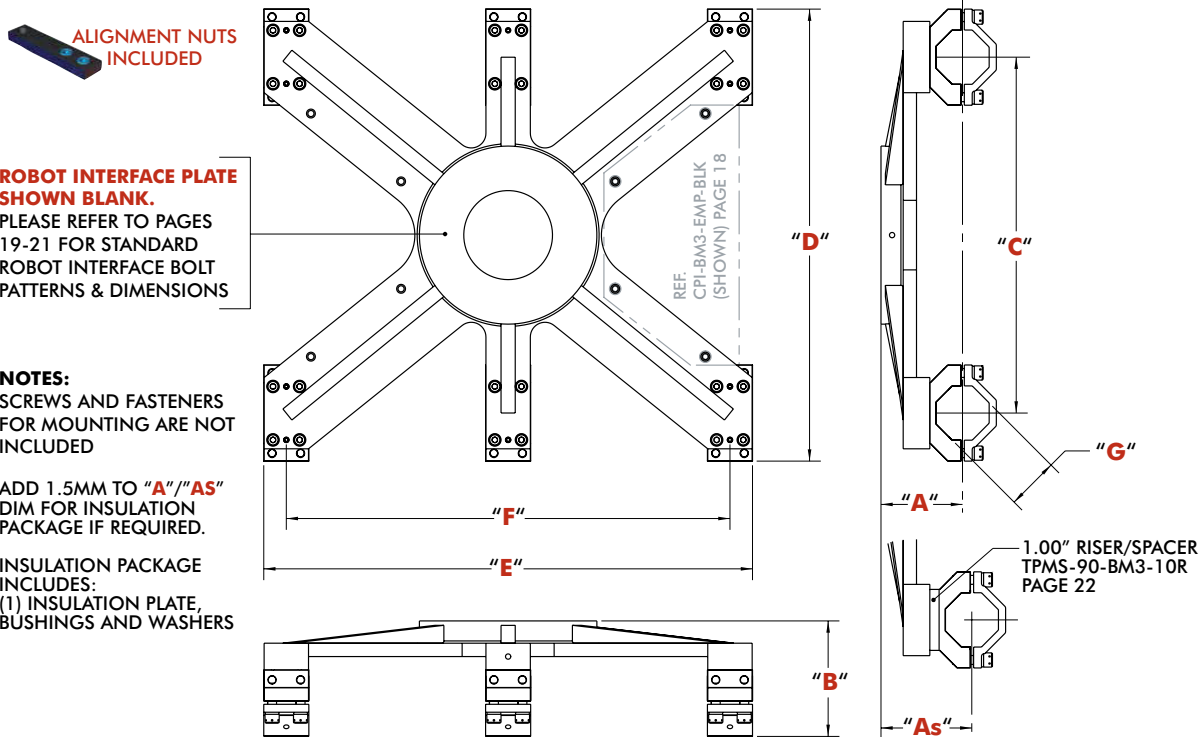
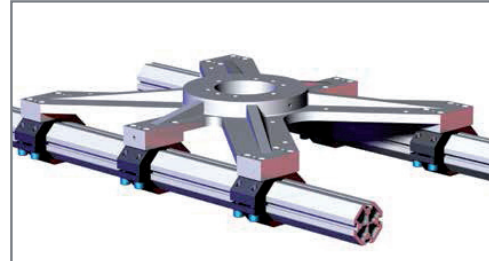
BM3-90 90mm Heavy Duty Mid Mount Assembly - Dimensions

Features:

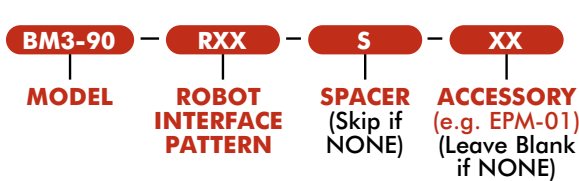
- Can be used as a direct robot interface.
- Provide robust clamping of each extrusion for maximum stability.
- Standard robot interface patterns provided. Plate can also be left blank.

Specifications:

Max. Static Product Load:
589.7 kg [1300 lb]
Material:
Mid Mount: Cast Aluminum
Clamps: Steel



HEAVY-DUTY MID MOUNT ASSEMBLY DIMENSIONS									
Model	"A"	"As"	"B"	"C"	"D"	"E"	"F"	"G"	Weight
BM3-90	107.8 [4.24]	133.2 [5.24]	165.3 [6.51]	600.0 [23.62]	738.0 [29.06]	750.0 [29.53]	700.0 [29.53]	90	24.1 kg [53.1 lb]

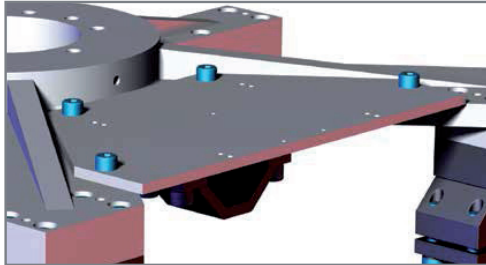


Dimensions and technical information are subject to change without notice



BODYBUILDER™ MID MOUNT ACCESSORY PLATE

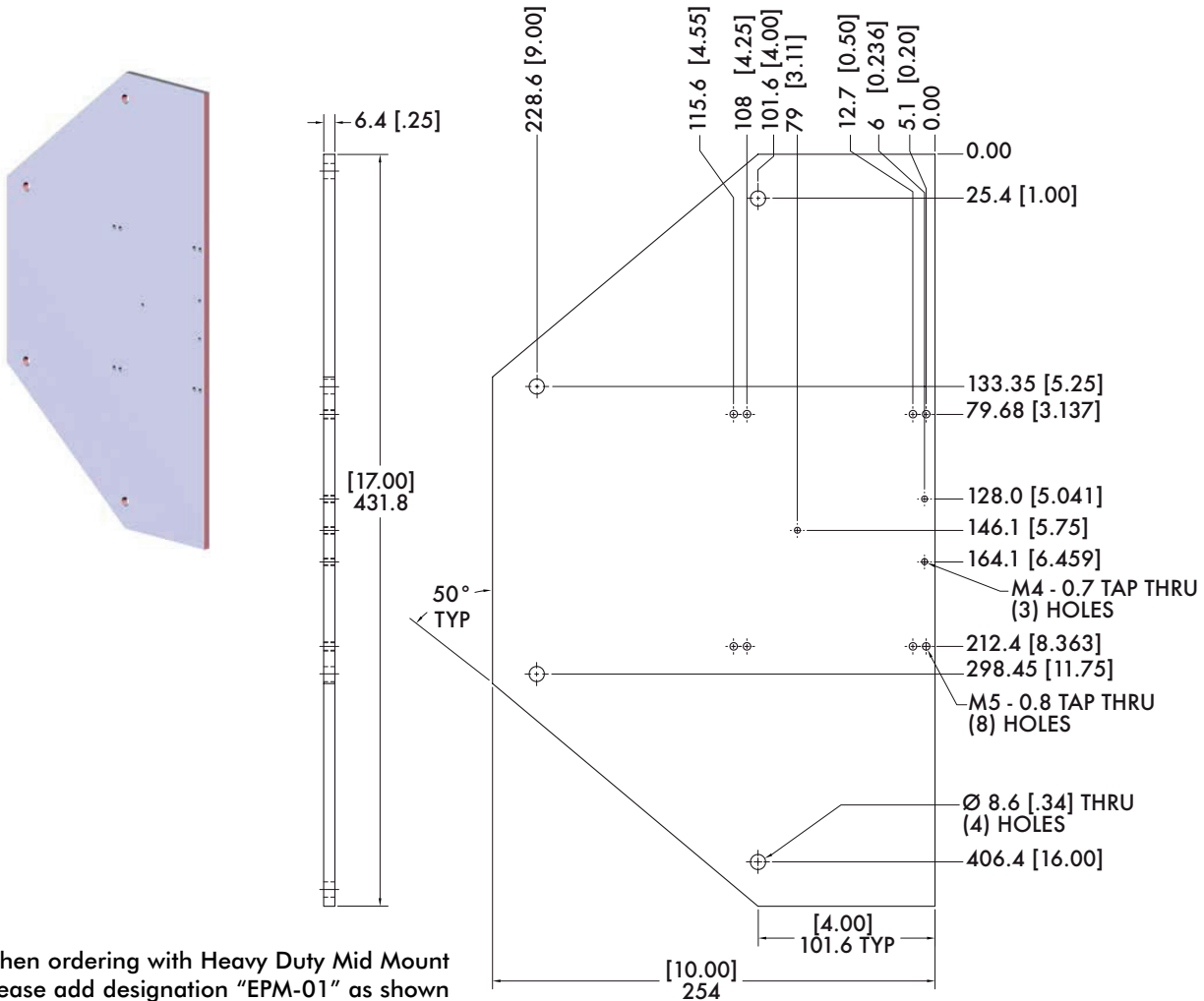
BodyBuilder™ Octagonal Tooling | Dimensions | Technical Specifications



Specifications:
Material: Aluminum

BM3-EPM Accessory Mount Plate

- Features:**
- Mount directly to the BM3-90 Heavy Duty Mid-Mount Assembly.
 - Used to mount pneumatic manifolds and electric proximity blocks.



When ordering with Heavy Duty Mid Mount Please add designation "EPM-01" as shown BM3-90-RXX-EPM-01 or add designation "EPM-BLK" to order blank BM3-90-RXX-EPM-BLK

To order separately use Model Number

Model Number	Weight
CPI-BM3-EPM-xx	1.54 kg [3.39 lb]

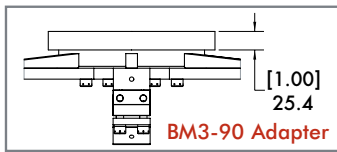
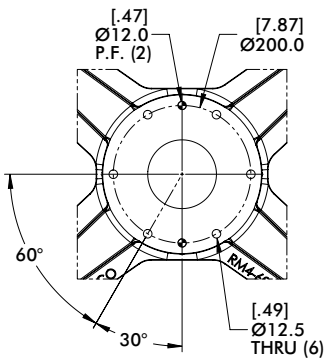
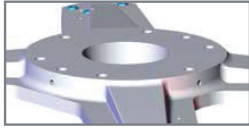
Dimensions and technical information are subject to change without notice

BODYBUILDER™ MID MOUNT BOLT PATTERNS

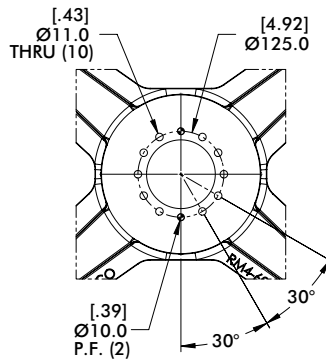
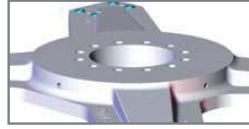
BodyBuilder™ Octagonal Tooling | Robot Interface Bolt Patterns



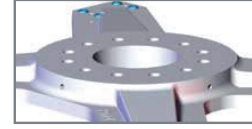
R01 (Ø200mm Bolt Circle)



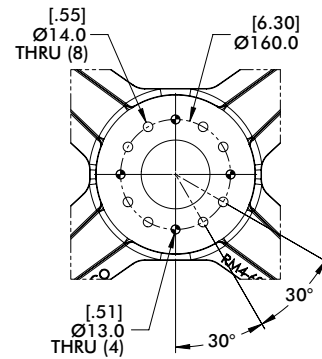
R02 (Ø125mm Bolt Circle)



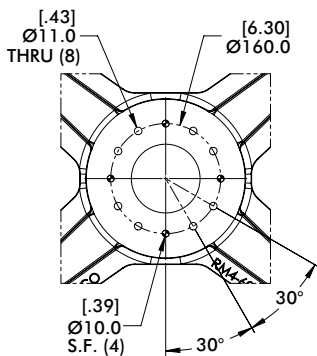
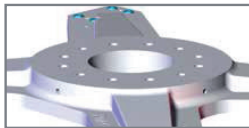
R03 (Ø160mm Bolt Circle)



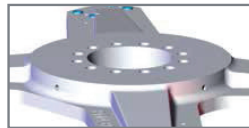
Includes Insulation
 Add 1.5mm to Height Dim "A"/"AS"



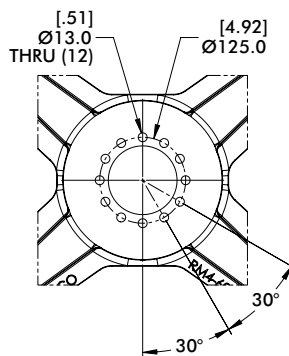
R04 (Ø160mm Bolt Circle)



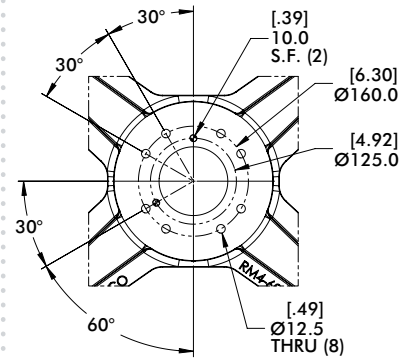
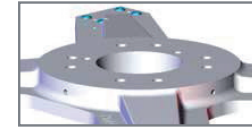
R05 (Ø125mm Bolt Circle)



Includes Insulation
 Add 1.5mm to Height Dim "A"/"AS"



R06 (Ø125/160mm Bolt Circle)



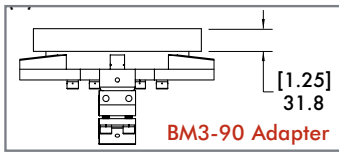
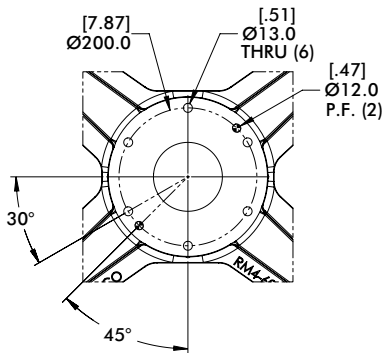
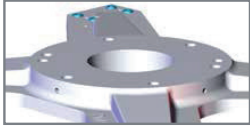
Dimensions and technical information are subject to change without notice



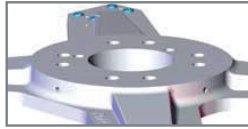
BODYBUILDER™ MID MOUNT BOLT PATTERNS

BodyBuilder™ Octagonal Tooling | Robot Interface Bolt Patterns

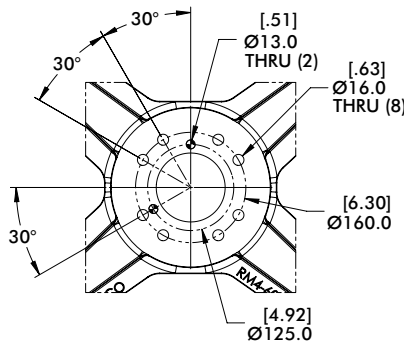
R07 (Ø200mm Bolt Circle)



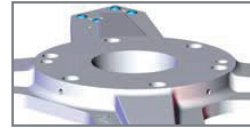
R08 (Ø125/160mm Bolt Circle)



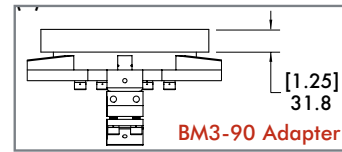
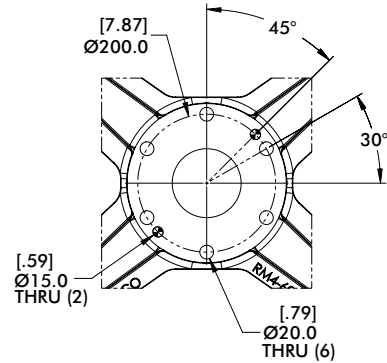
Includes Insulation
Add 1.5mm to Height Dim "A"/"AS"



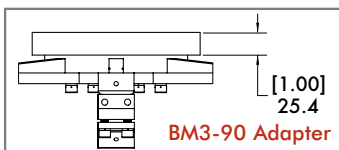
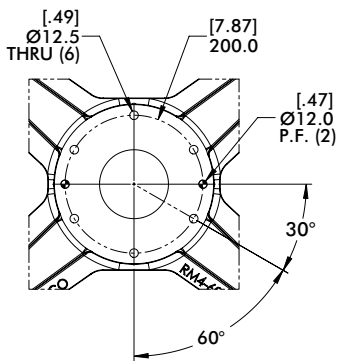
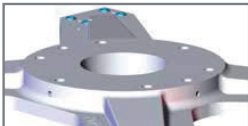
R09 (Ø200mm Bolt Circle)



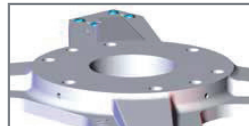
Includes Insulation
Add 1.5mm to Height Dim "A"/"AS"



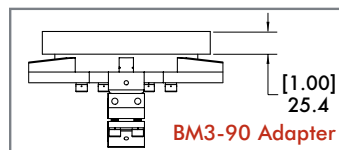
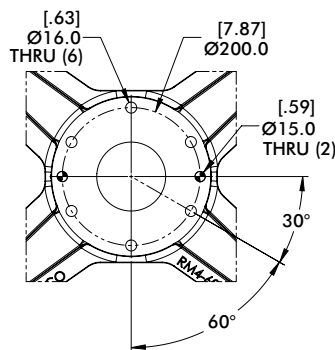
R10 (Ø200mm Bolt Circle)



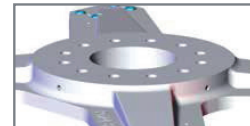
R11 (Ø200mm Bolt Circle)



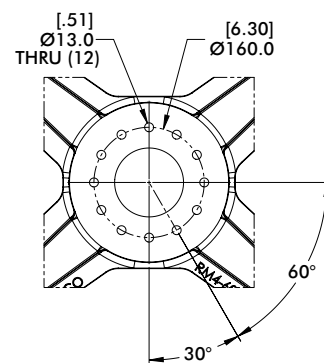
Includes Insulation
Add 1.5mm to Height Dim "A"/"AS"



R12 (Ø160mm Bolt Circle)



Includes Insulation
Add 1.5mm to Height Dim "A"/"AS"



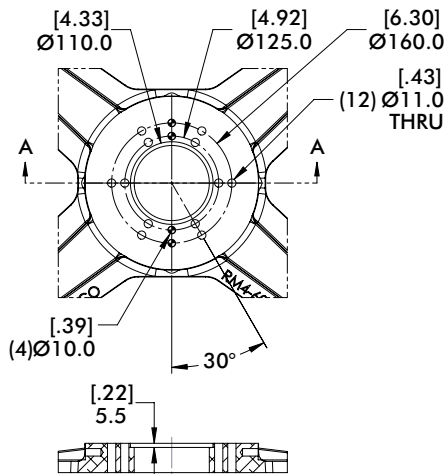
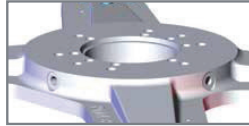
Dimensions and technical information are subject to change without notice

BODYBUILDER™ MID MOUNT BOLT PATTERNS

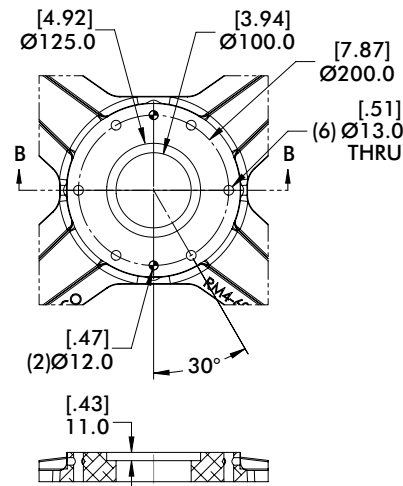
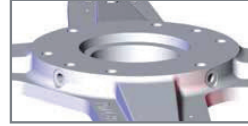
BodyBuilder™ Octagonal Tooling | Robot Interface Bolt Patterns



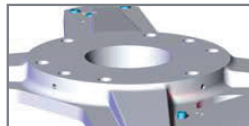
**R13 (Ø125/160mm Bolt Circle)
(Ø110mm Pilot, 5.5mm Deep)**



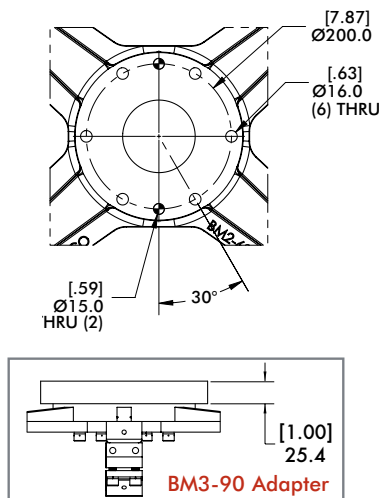
**R14 (Ø200mm Bolt Circle)
(Ø125mm Pilot, 11mm Deep)**



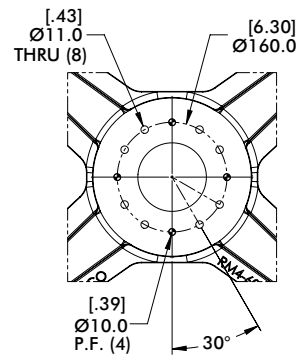
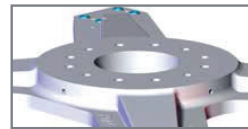
R16 (Ø200mm Bolt Circle)



Includes Insulation
Add 1.5mm to Height Dim "A"/"AS"



R17 (Ø160mm Bolt Circle)



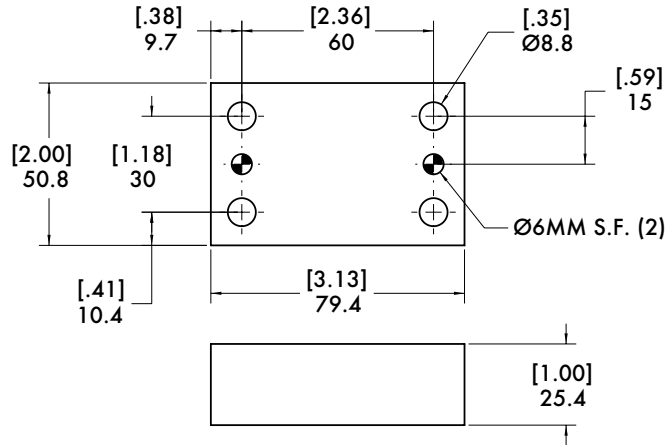
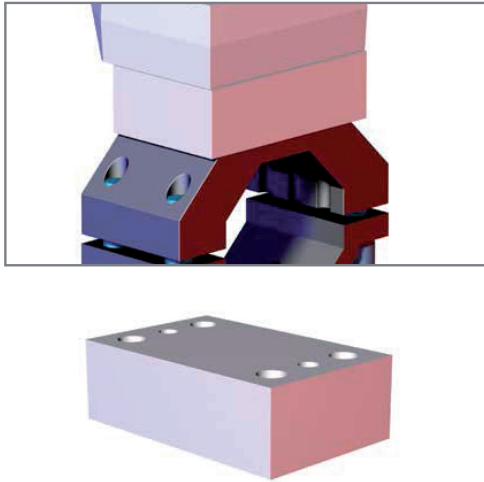
Dimensions and technical information are subject to change without notice



BODYBUILDER™ MID MOUNT RISERS

BodyBuilder™ Octagonal Tooling | Dimensions | Technical Specifications

RM4-60 Heavy Duty Mid Mount Assembly - 1.00" Riser/Spacer



When ordering with Heavy Duty Mid Mount add designation (S) as shown:

RM4-60-RXX-S

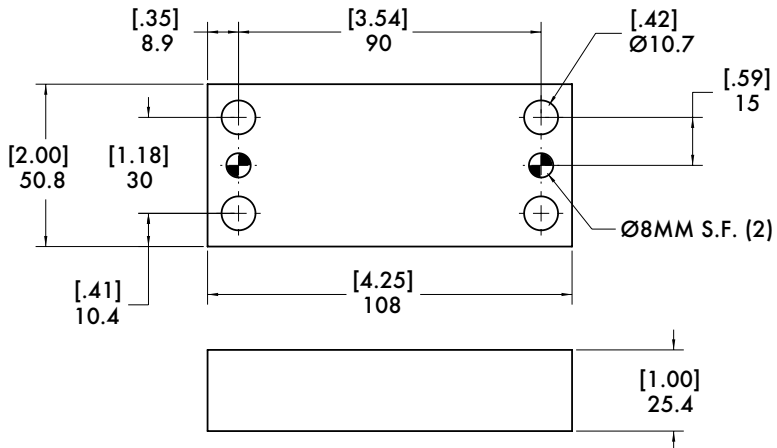
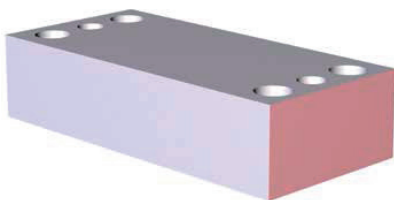
To order Riser separately use Model Number.

Riser for	Model	Weight
RM4-45/60	TPMS-60-BM2-10R	.26 kg [.56 lb]

Specifications:

Material: Aluminum

BM3-90 Heavy Duty Mid Mount Assembly - 1.00" Riser/Spacer



When ordering with Heavy Duty Mid Mount add designation (S) as shown:

BM3-90-RXX-S

To order Riser separately use Model Number.

Model Number	Weight
TPMS-90-BM3-10R	.34 kg [.76 lb]

Specifications:

Material: Aluminum

Dimensions and technical information are subject to change without notice