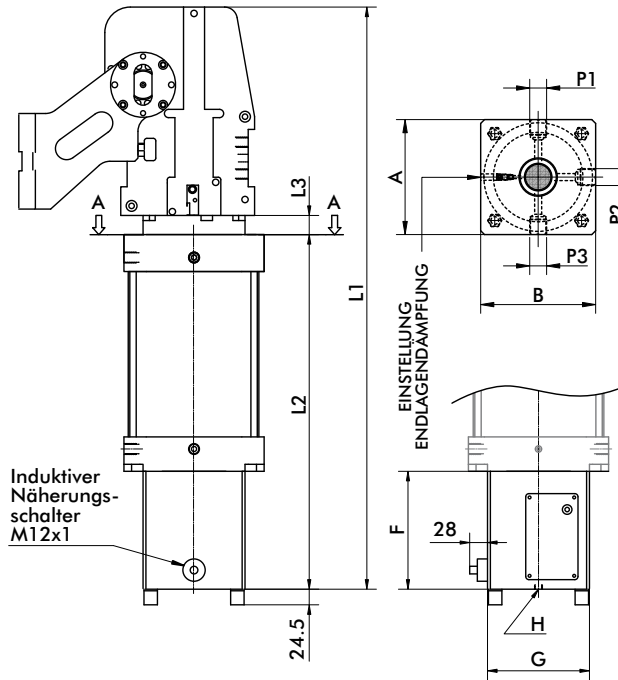




DE-STA-CO Schwenkeinheiten

GR und RC Serie Mittelschwere Schwenkeinheit

Serie GR Abmessungen Zylinder

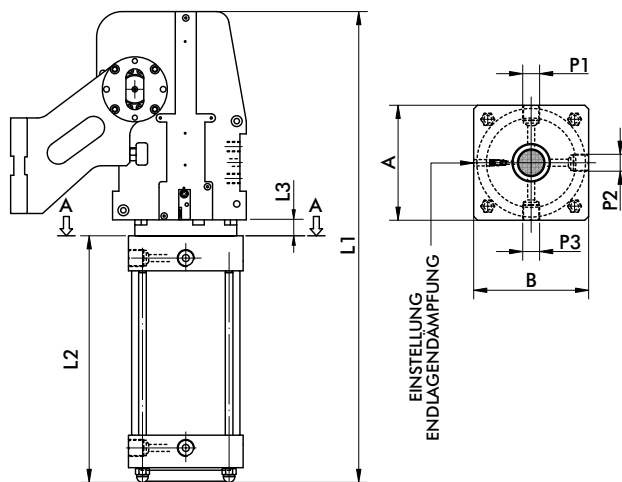


GR MODELL	L1	L2	L3	A-B	P3	P1 - P2	Gewicht
	mm						
GR100-45°	683.5	383.5				1/2" G	36 kg [80 lb]
GR100-90°	728.5	428.5	20	115	1/2" G	1/2" NPT	
GR100-120°	758.0	458.0				1/2" G	80 kg [176 lb]
GR125-45°	818.0	466.0				1/2" G	
GR125-90°	867.0	515.0	25	160	1/2" G	1/2" NPT	
GR125-120°	895.0	543.0				1/2" G	95 kg [209 lb]
GR160-45°	827.0	472.0				3/4" G	
GR160-90°	876.0	521.0	28	180	3/4" G	3/4" NPT	
GR160-120°	804.0	547.0				3/4" G	103 kg [226 lb]
GR200-45°	835.0	478.0				3/4" G	
GR200-90°	884.0	527.0	30	220	3/4" G	3/4" NPT	
GR200-120°	912.0	555.0				3/4" NPT	

ANMERKUNG: P1-P2 ABHÄNGIG VON DER BESTELLNUMMER

GR MODELL	F	G	H
	mm		
GR100	136	115 SQ	1/4"
GR125	185	160 SQ	1/4"
GR160	185	160 SQ	1/4"
GR200	185	160 SQ	1/4"

Serie RC Abmessungen Zylinder



RC MODELL	L1	L2	L3	A-B	P3	P1 - P2	Gewicht
	mm						
RC100-45°	566.5	266.5				1/2" G	29 kg [64 lb]
RC100-90°	611.5	311.5	20	115	1/2" G	1/2" NPT	
RC100-120°	641.0	341.0				1/2" G	62 kg [137 lb]
RC125-45°	656.0	304.0				1/2" G	
RC125-90°	705.0	353.0	25	160	1/2" G	1/2" NPT	
RC125-120°	733.0	381.0				1/2" G	77 kg [170 lb]
RC160-45°	665.0	310.0				3/4" G	
RC160-90°	714.0	359.0	28	180	3/4" G	3/4" NPT	
RC160-120°	742.0	387.0				3/4" G	85 kg [187 lb]
RC200-45°	670.0	313.0				3/4" G	
RC200-90°	719.0	362.0	30	220	3/4" G	3/4" NPT	
RC200-120°	746.5	389.5				3/4" NPT	

ANMERKUNG: P1-P2 ABHÄNGIG VON DER BESTELLNUMMER

Serie GR & RC optionale Zylinderpositionen

