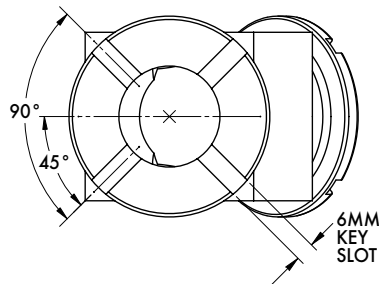
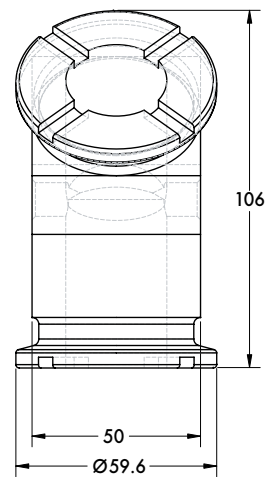
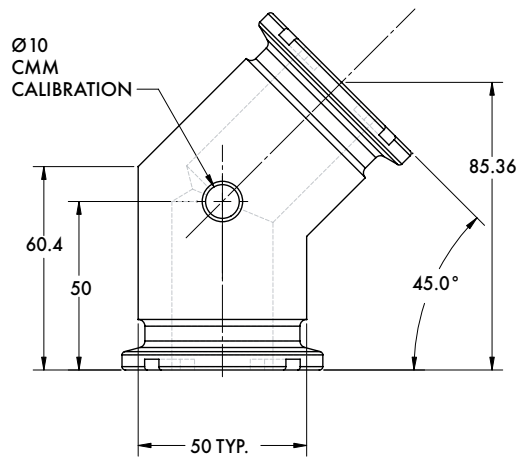
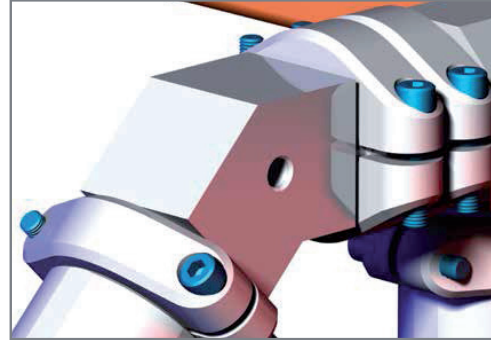
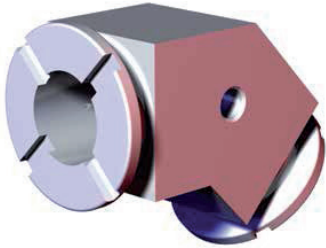


SPIDERGRIP BOOMS

Spidergrip Tooling Components | Dimensions | Technical Specifications



Ø60mm 2-Face 45° Junction



Model Number	Weight
STN0C45-NA	.42 kg [.93 lb]

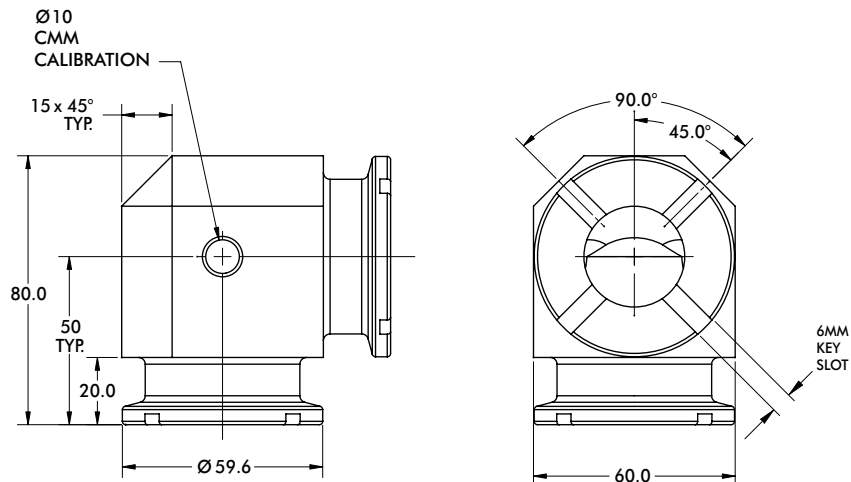
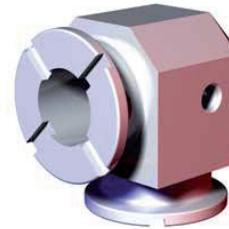
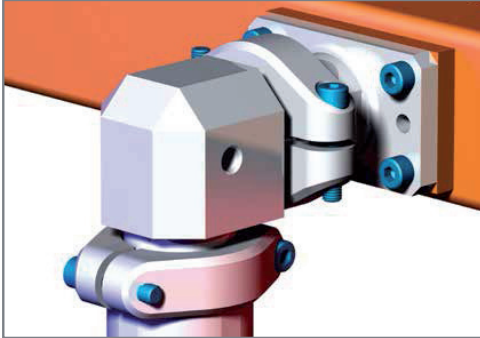
Dimensions and technical information are subject to change without notice



Spidergrip Tooling Components | Dimensions | Technical Specifications

SPIDERGRIP SPACERS

Ø60mm 2-face 90° Junction



Model Number	Weight
STN0C90-NA	.53 kg [1.16 lb]

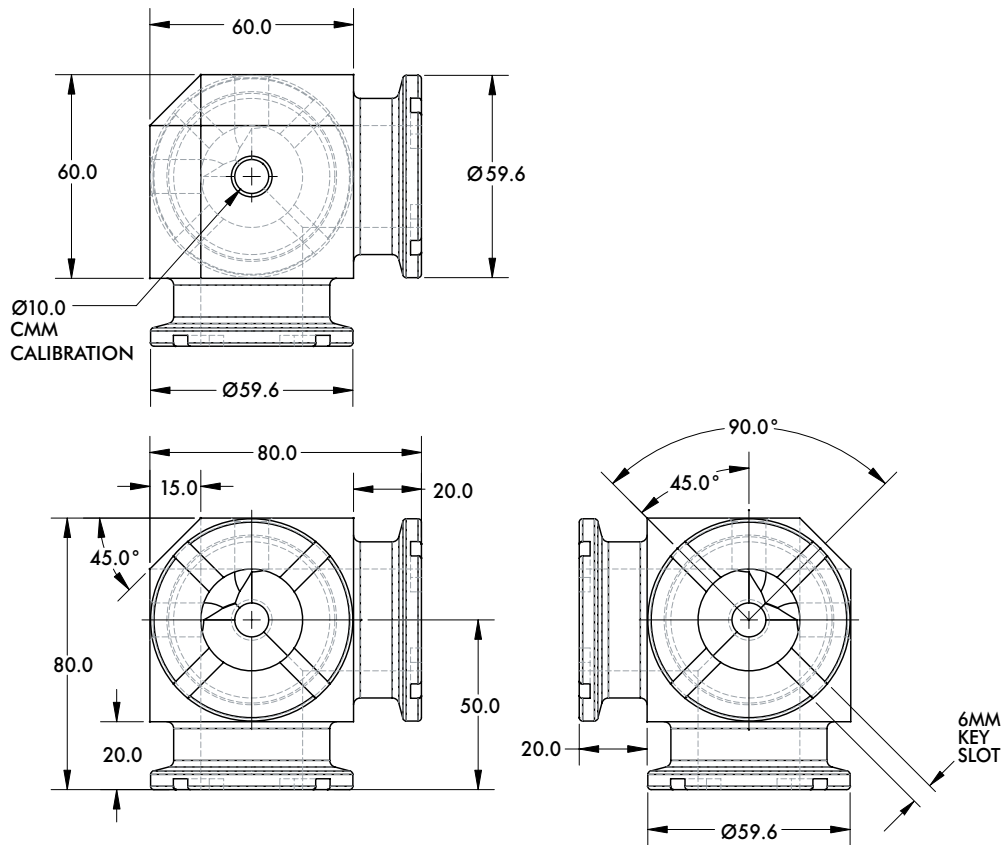
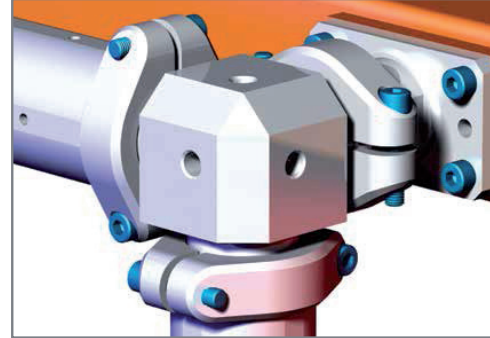
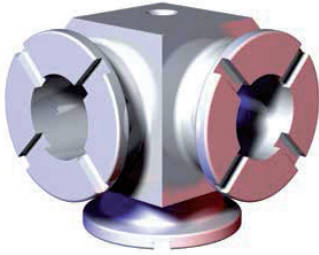
Dimensions and technical information are subject to change without notice

SPIDERGRIP JUNCTION COMPONENTS

Spidergrip Tooling Components | Dimensions | Technical Specifications



Ø60mm 3-Face Junction



Model Number	Weight
STN0C3F-NA	.58 kg [1.29 lb]

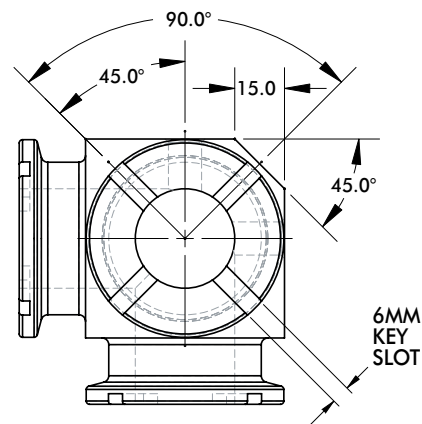
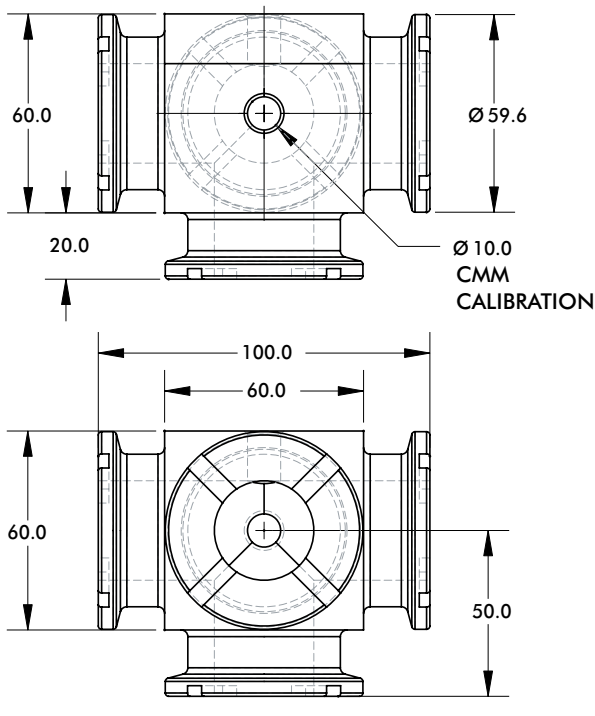
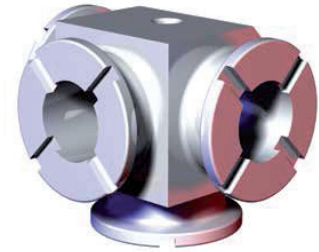
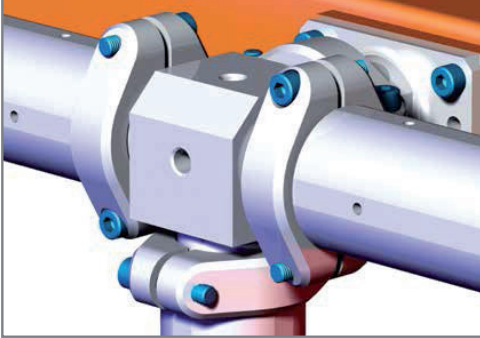
Dimensions and technical information are subject to change without notice



SPIDERGRIP JUNCTION COMPONENTS

Spidergrip Tooling Components | Dimensions | Technical Specifications

Ø60mm 4-Face Junction



Model Number	Weight
STN0C4F-NA	.65 kg [1.43 lb]

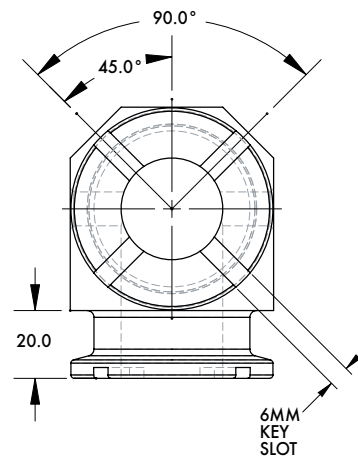
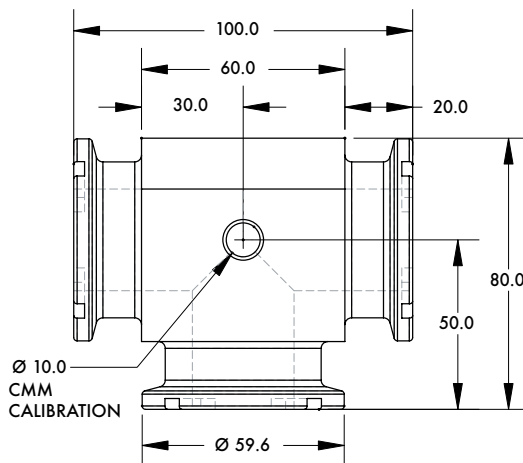
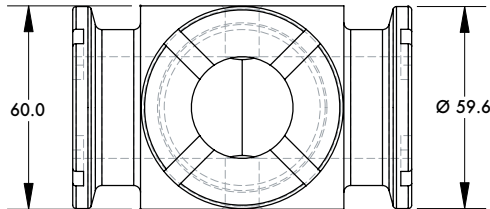
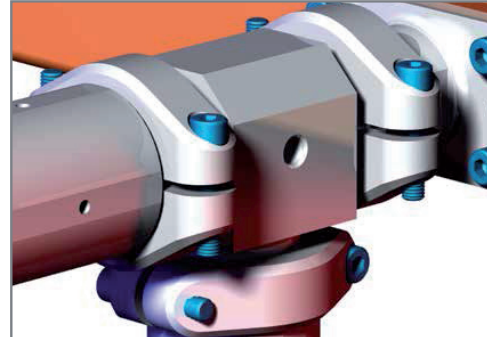
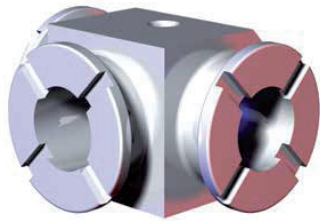
Dimensions and technical information are subject to change without notice

SPIDERGRIP JUNCTION COMPONENTS

Spidergrip Tooling Components | Dimensions | Technical Specifications



Ø60mm 3-Face Junction



Model Number	Weight
STN0T3F-NA	.60 kg [1.31 lb]

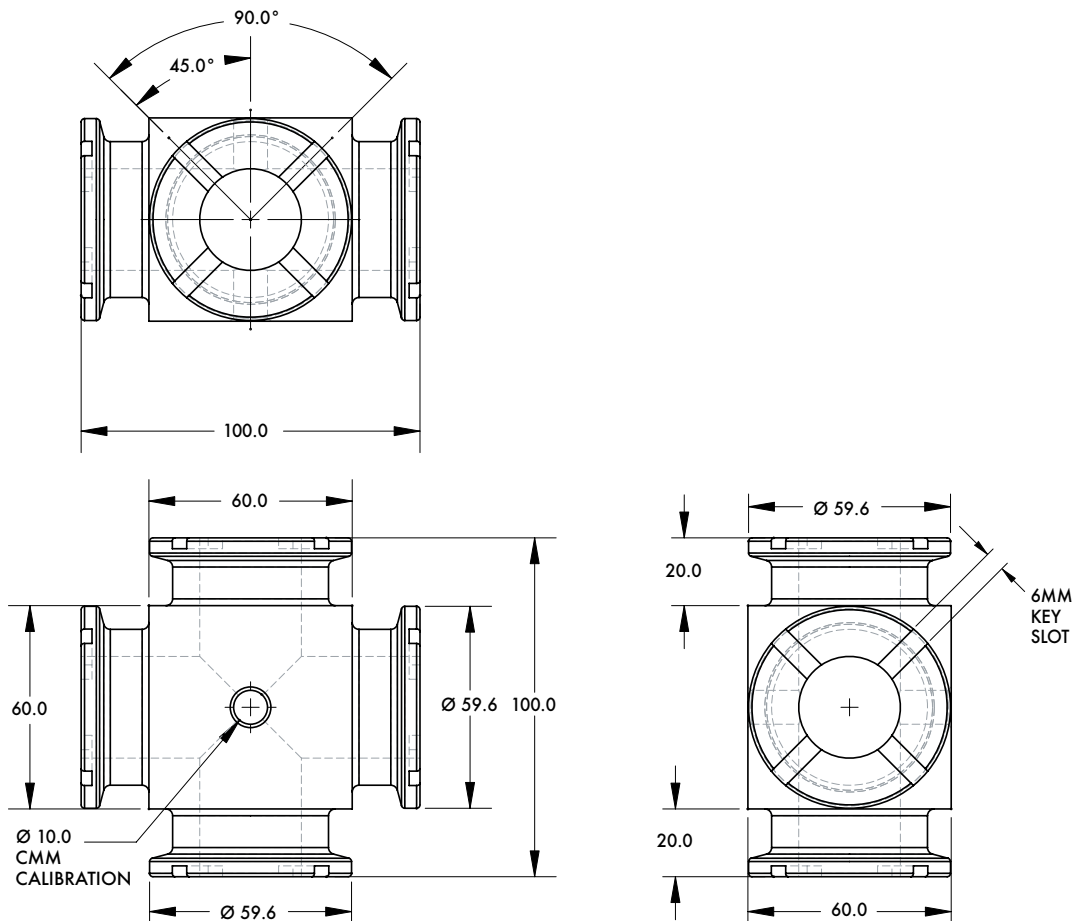
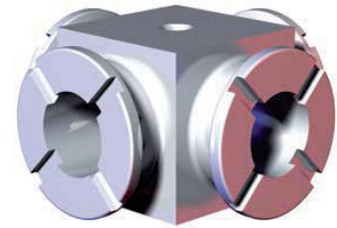
Dimensions and technical information are subject to change without notice



SPIDERGRIP JUNCTION COMPONENTS

Spidergrip Tooling Components | Dimensions | Technical Specifications

Ø60mm 4-Face Junction



Model Number	Weight
STN0T4F-NA	.67 kg [1.47 lb]

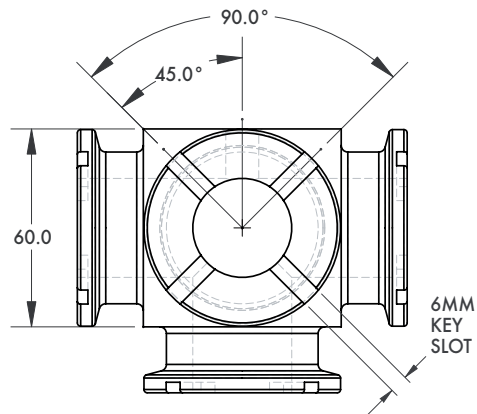
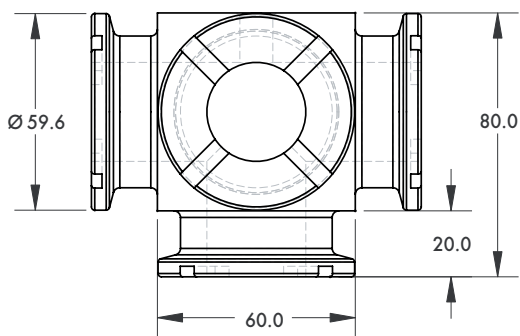
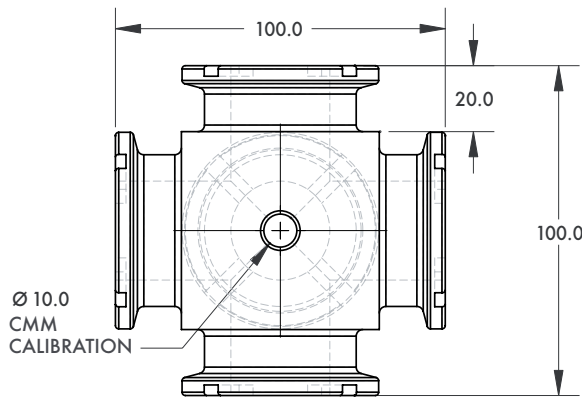
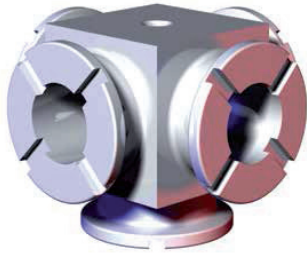
Dimensions and technical information are subject to change without notice

SPIDERGRIP JUNCTION COMPONENTS

Spidergrip Tooling Components | Dimensions | Technical Specifications



Ø60mm 5-Face Junction



Model Number

STN0T5F-NA

Weight

.71 kg [1.56 lb]

Dimensions and technical information are subject to change without notice