



BodyBuilder™ Octagonal Tooling | Dimensions | Technical Specifications

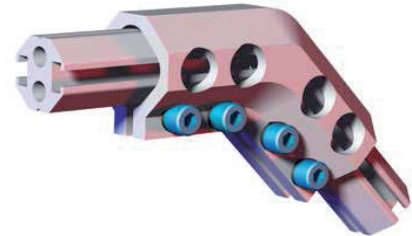
45° Angular Boom Clamp Brackets

Features:

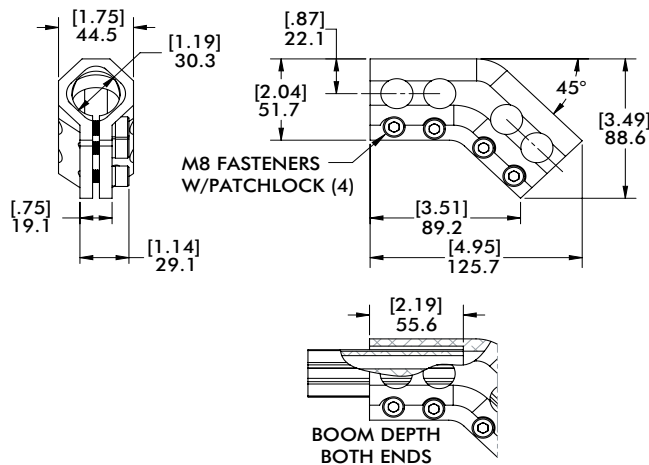
- Mounts (2) Bodybuilder extrusion booms inline at a 45° angle.

Specifications:

Material: Aluminum

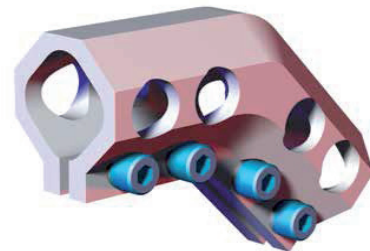


DC-3030B-45 30mm to 30mm 45° External Boom Clamp Brackets



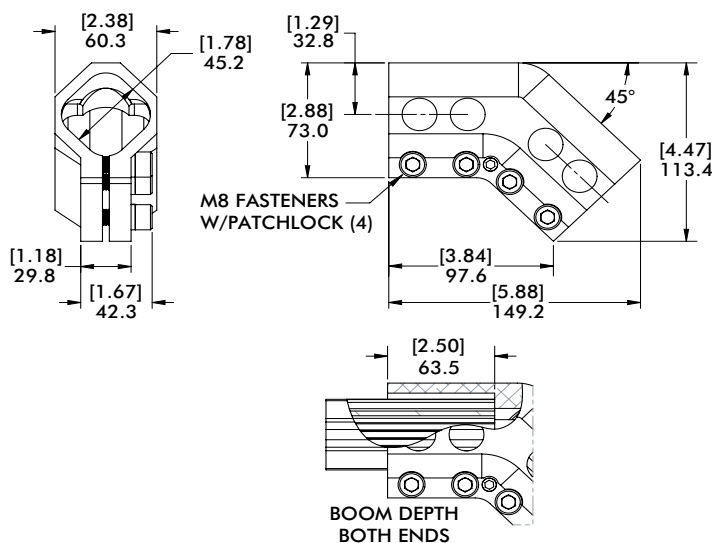
Specifications:

Max. Static Clamp Load:
271 Nm [200 ft-lb]



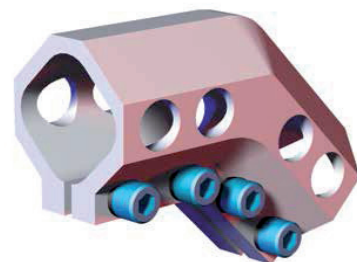
Model Number	Weight
CPI-DC-3030B-45	.30 kg [.66 lb]

DC-4545B-45 45mm to 45mm 45° Angular Boom Clamp Brackets



Specifications:

Max. Static Clamp Load:
475 Nm [350 ft-lb]



Model Number	Weight
CPI-DC-4545B-45	.64 kg [1.4 lb]



BodyBuilder™ Octagonal Tooling | Dimensions | Technical Specifications

DC-6060B-45 60mm to 60mm 45° Angular Boom Clamp Brackets



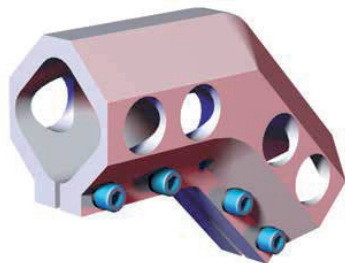
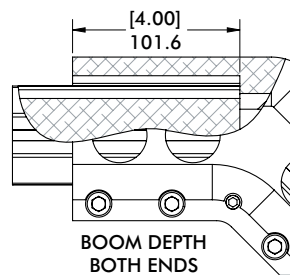
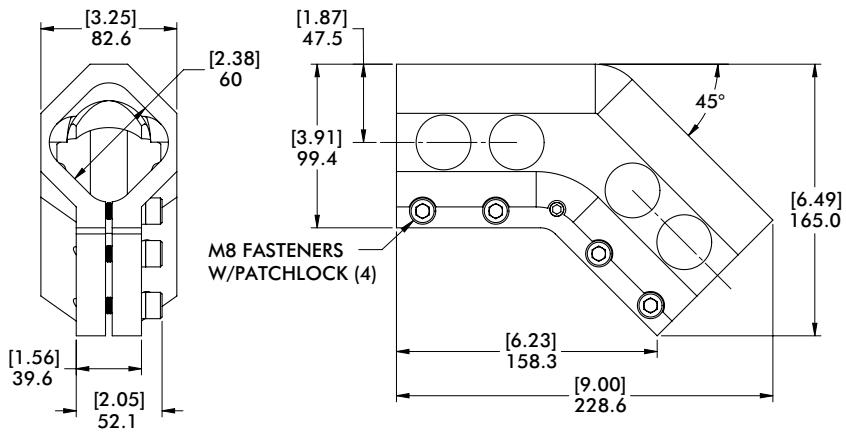
Specifications:

Max. Static Clamp Load:
746 Nm [550 ft-lb]

Material: Aluminum

Features:

- Mounts (2) Bodybuilder extrusion booms inline at a 45° angle.



Model Number	Weight
CPI-DC-6060B-45	1.74 kg [3.8 lb]

Dimensions and technical information are subject to change without notice