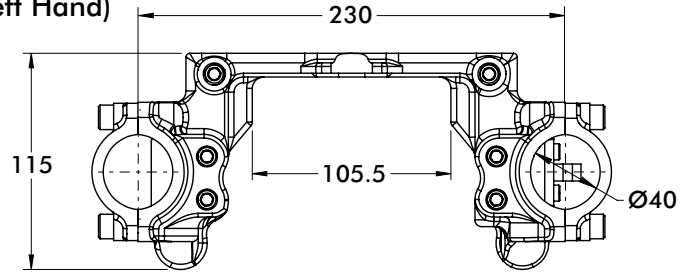
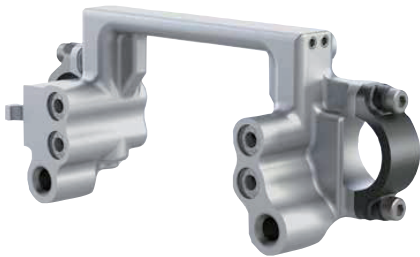


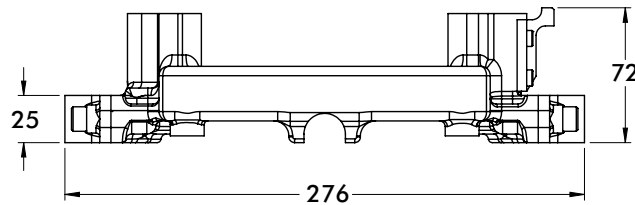
Accelerate® Tooling Collection | Dimensions

GRS-SD-40 Crossbar Saddle w/Air (Left Hand)

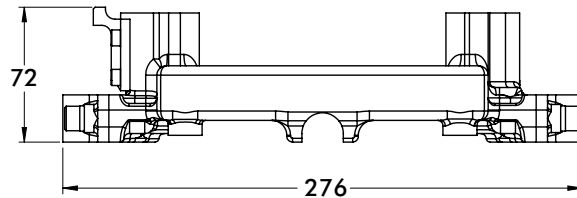
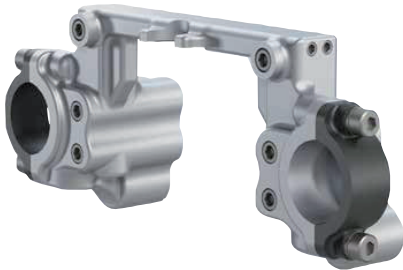


Material: High Strength Aluminum

Model Number	Weight
GRS-SD-40-LHS-A	938g [2.06 lb]



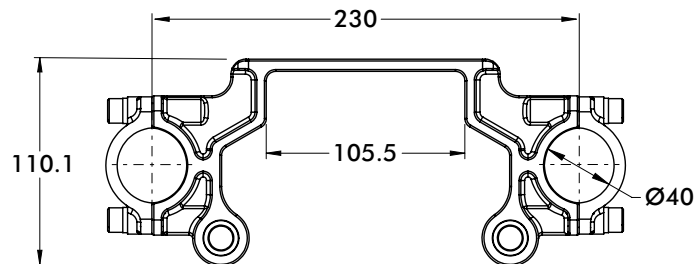
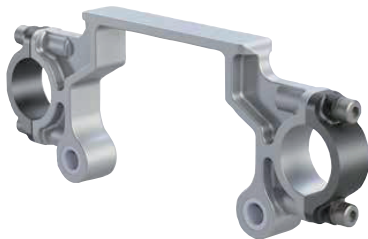
GRS-SD-40 Crossbar Saddle w/Air (Right Hand)



Material: High Strength Aluminum

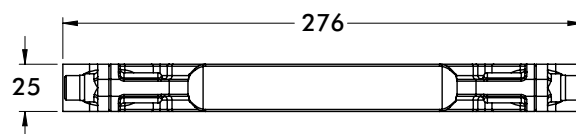
Model Number	Weight
GRS-SD-40-RHS-A	938g [2.06 lb]

GRS-SD-40 Crossbar Saddle (Idle)



Material: High Strength Aluminum

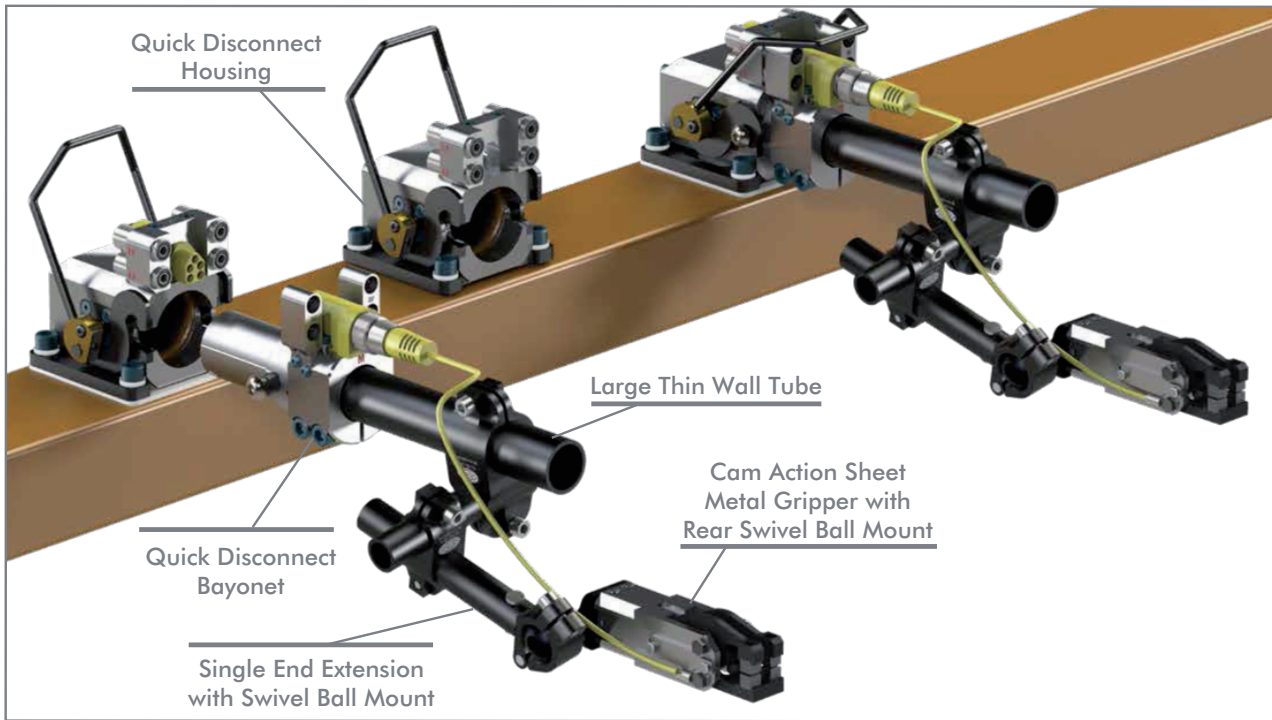
Model Number	Weight
GRS-SD-40-NA-A	535g [1.18 lb]



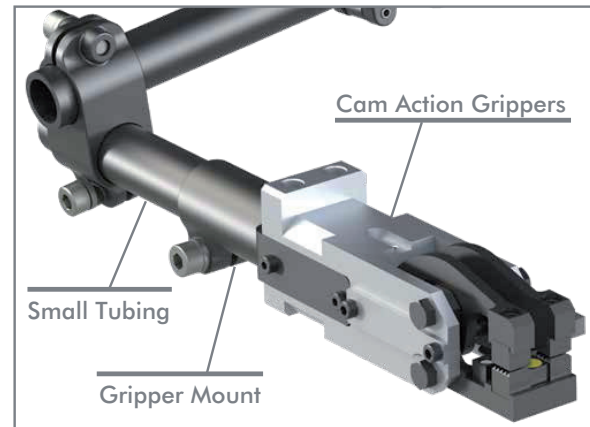
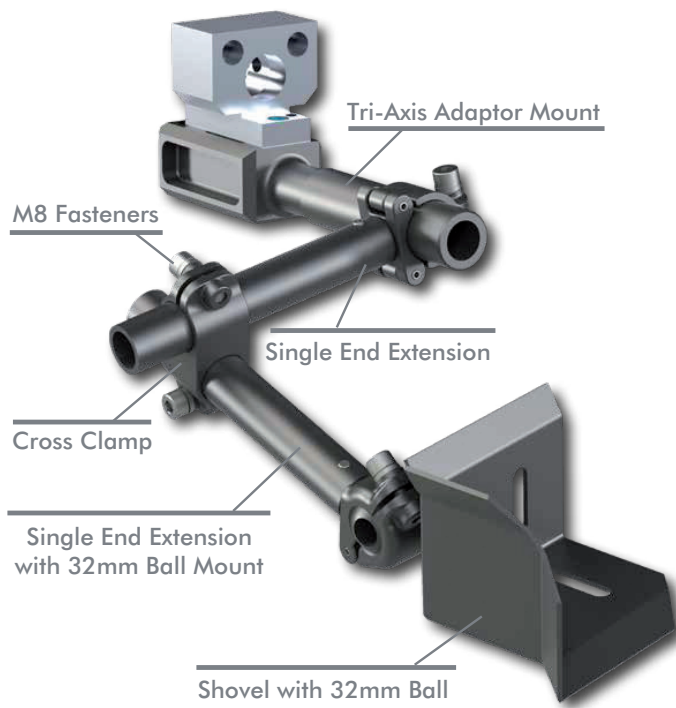
Dimensions and technical information are subject to change without notice

Accelerate® Tooling Collection | Tooling Examples

Tri-Axis Rail Tooling Example with Accelerate® Tooling



LWT Tri-Axis Tooling Example



Dimensions and technical information are subject to change without notice