

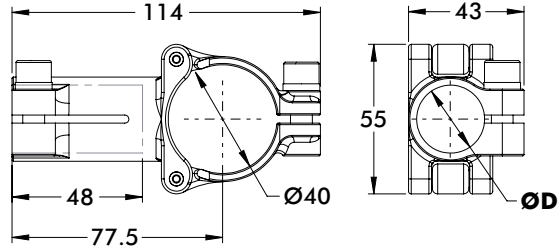
TCL, TCLD SERIES

Accelerate® Tooling Collection | Dimensions

TCL T- Clamps Ø40



Material: High Strength Aluminum
Load: See page EE-LWT-6

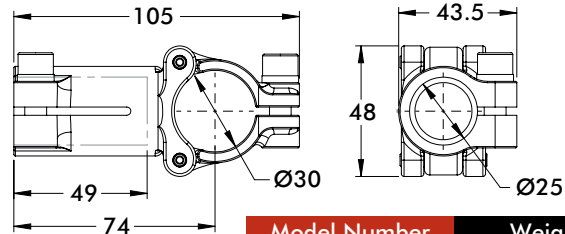


Model Number	ØD	Weight
TCL-40M-25M-A	Ø25	158g [0.35 lb]
TCL-40M-20M-A	Ø20	145g [0.32 lb]

TCL T- Clamps Ø30 to Ø25



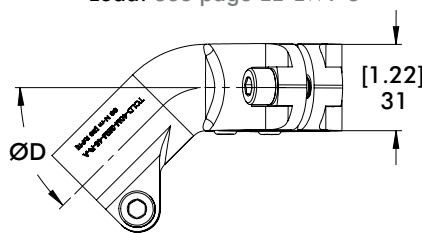
Material: High Strength Aluminum
Load: See page EE-LWT-6



Model Number	Weight
TCL-30M-25M-A	270g [0.59 lb]

TCLD Angled T- Clamps

Material: High Strength Aluminum
Load: See page EE-LWT-6

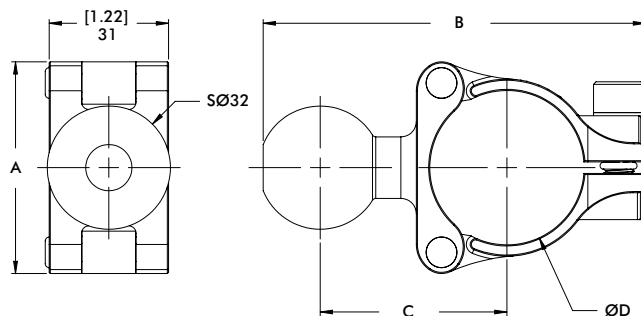


Model Number	ØD	Weight
TCLD-40M-20M-30-L-A	30°	225g [0.50 lb]
TCLD-40M-20M-30-R-A	30°	225g [0.50 lb]
TCLD-40M-20M-45-L-A	45°	230g [0.51 lb]
TCLD-40M-20M-45-R-A	45°	230g [0.51 lb]
TCLD-40M-25M-30-L-A	30°	201g [0.44 lb]
TCLD-40M-25M-30-R-A	30°	201g [0.44 lb]
TCLD-40M-25M-45-L-A	45°	206g [0.45 lb]
TCLD-40M-25M-45-R-A	45°	206g [0.45 lb]

TCL Ball Clamps Ø40 to Ø32



Material: High Strength Aluminum
Load: See page EE-LWT-6



Model Number	A	B	C	ØD	Weight
TCL-40M-32B-A	55[2.17]	99.3[3.91]	48.5[1.91]	Ø40	149g [0.33 lb]
TCB-30M-32B-A	48[1.89]	89.8[3.54]	44[1.73]	Ø30	137g [0.30 lb]

Dimensions and technical information are subject to change without notice