



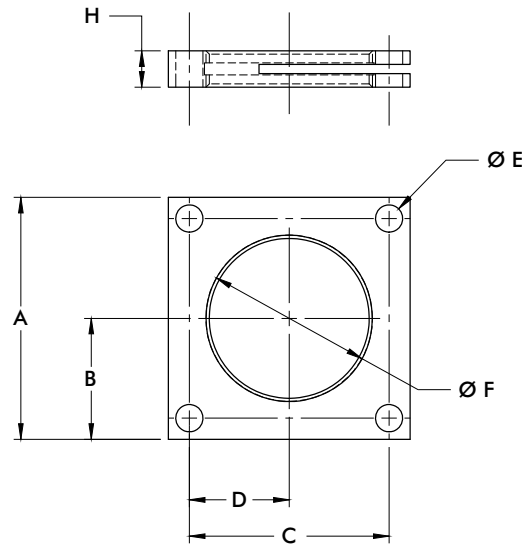
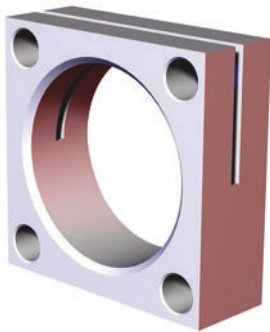
12.5

Pneumatische Schwenkspanner Zubehör

Montageflansch

Produktmerkmale:

- Für pneumatische Schwenkspanner mit Außengewinde
- Variable Höhenverstellung
- Für eingelassene Montage des Schwenkspanners



Artikelnummer	Passend zu Modell	A	B	C	D	E	F	H
8MA-219-1	89E20-010-1	[2.17] 55	[4.33] 27,5	[1.65] 42	[0.83] 21	[0.26] 6,6	M36X1,5	[0.31] 8
8MA-220-1	89E30-010-1	[2.76] 70	[1.38] 35	[2.13] 54	[1.06] 27		M42X1,5	[0.39] 10
8MA-221-1	89E40-010-1	[3.15] 80	[1.57] 40	[2.60] 66	[1.30] 33	[0.35] 9	M55X2	[0.47] 12
8MA-222-1	89E50-025-1	[3.54] 90	[1.77] 45	[2.99] 76	[1.50] 38		M68X2	[0.59] 15
8MA-223-1	89E63-008-1	[4.33] 110	[2.17] 55	[3.54] 90	[1.77] 45	[0.43] 11	M80X2	
801553	8015/8016	[1.38] 35	[0.69] 17,5	[1.08] 27,4	[0.54] 13,7	[0.20] 5,1	1 1/8-16	
821553	8215/8216	[2.50] 63,5	[1.25] 31,8	[2.12] 53,8	[1.06] 26,9	[0.28] 7,1	2 1/4-12	[0.50] 12.7
841550	8415/8416	[2.00] 50,8	[1.00] 25,4	[1.60] 40,6	[0.80] 20,3		1 3/4-12	