

BODYBUILDER™ MID MOUNT ASSEMBLIES

BodyBuilder™ Octagonal Tooling | Dimensions | Technical Specifications



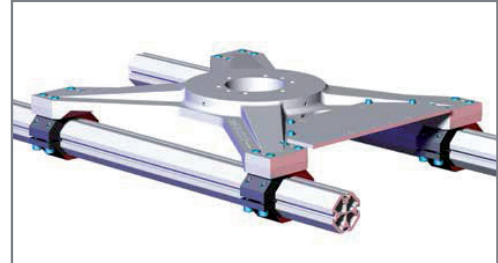
RM4-45 45mm, RM4-60 60mm Heavy Duty Mid Mount Assembly - Dimensions

Features:

- Can be used as a direct robot interface.
- Provide robust clamping of each extrusion for maximum stability.
- Standard robot interface patterns provided. Plate can also be left blank.

Specifications:

Max. Static Product Load:
453.6 kg [1000 lb]
Material:
Mid Mount:
Cast Aluminum
Clamps: Steel

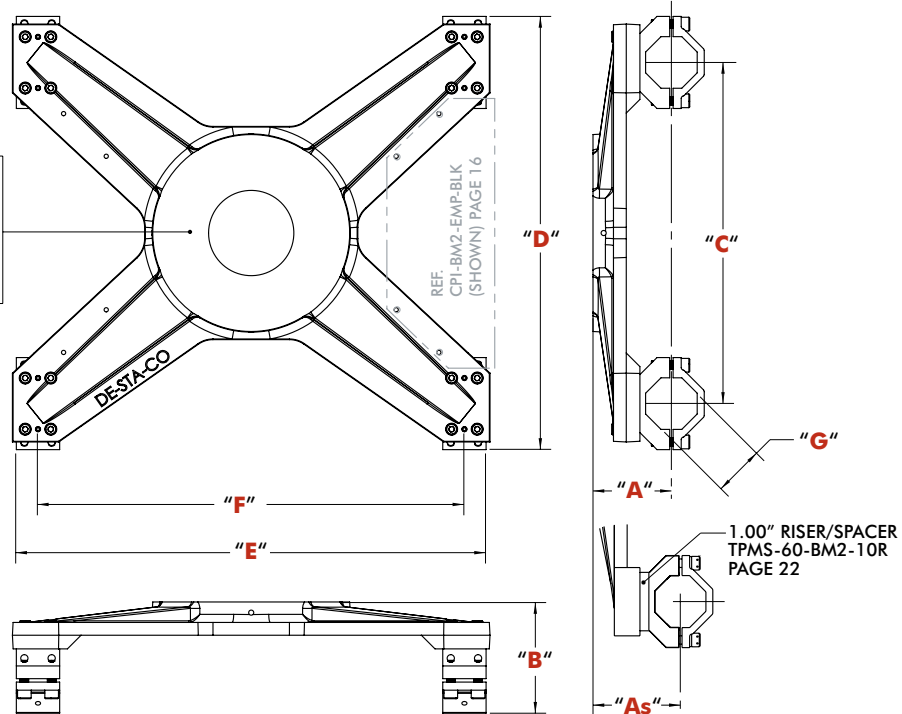


ROBOT INTERFACE PLATE SHOWN BLANK.
PLEASE REFER TO PAGES 20-22 FOR STANDARD ROBOT INTERFACE BOLT PATTERNS & DIMENSIONS

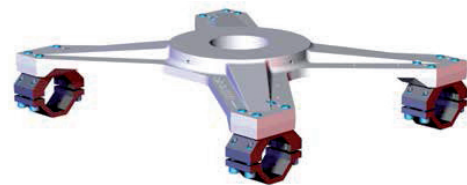
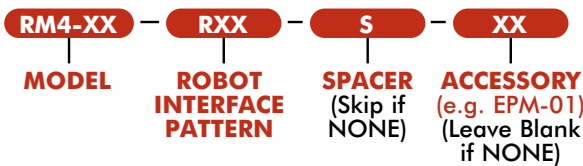
NOTE:
SCREWS AND FASTENERS FOR MOUNTING ARE NOT INCLUDED

ADD 1.5MM TO "A"/"AS" DIM FOR INSULATION PACKAGE IF REQUIRED.

INSULATION PACKAGE INCLUDES:
(1) INSULATION PLATE, BUSHINGS AND WASHERS



HEAVY-DUTY MID MOUNT ASSEMBLY DIMENSIONS									
Model	"A"	"As"	"B"	"C"	"D"	"E"	"F"	"G"	Weight
RM4-45 (45mm)	85.6 [3.37]	111 [4.37]	117.6 [4.63]	400 [15.75]	490 [19.29]	560 [22.05]	500.0 [19.69]	45	13.6 kg [30.0 lb]
RM4-60 (60mm)	91.9 [3.62]	117.3 [4.62]	131.7 [5.185]	400.0 [15.75]	508 [20.00]	560.8 [22.85]	500.0 [19.69]	60	15.5 kg [34.2 lb]

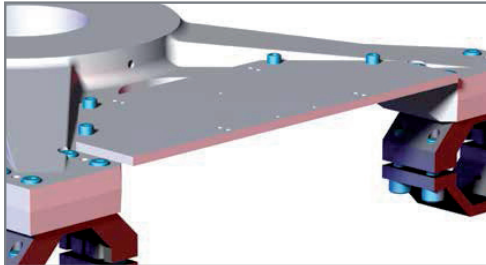


Dimensions and technical information are subject to change without notice



BODYBUILDER™ MID MOUNT ACCESSORY PLATE

BodyBuilder™ Octagonal Tooling | Dimensions | Technical Specifications



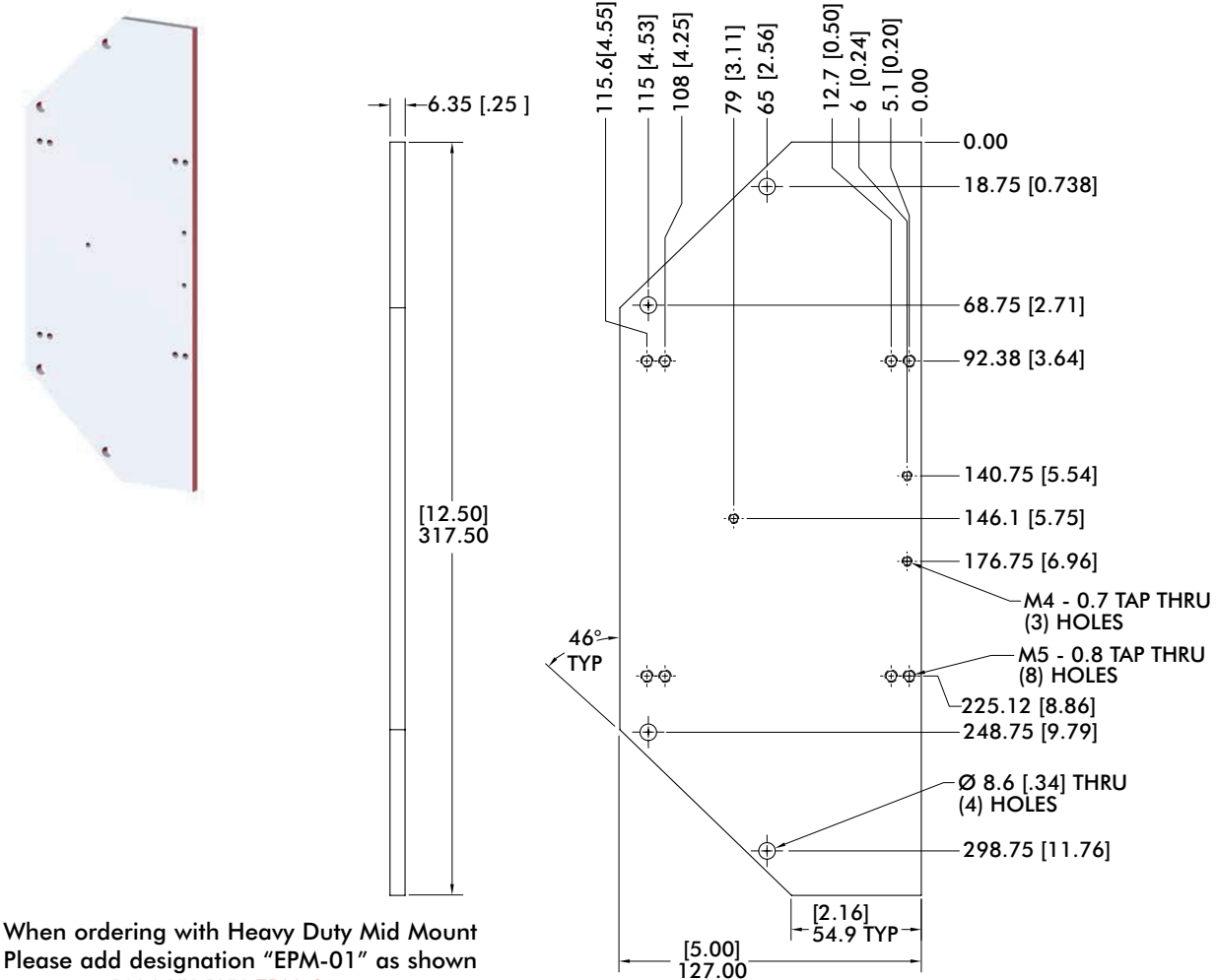
Specifications:

Material: Aluminum

BM2-EPM Accessory Mount Plate

Features:

- Mount directly to the RM4-45 or RM4-60 Heavy Duty Mid-Mount Assembly.
- Used to mount pneumatic manifolds and electric proximity blocks.



When ordering with Heavy Duty Mid Mount Please add designation "EPM-01" as shown RM4-XX-RXX-EPM-01 or add designation "EPM-BLK" to order blank RM4-XX-RXX-EPM-BLK

To order separately use Model Number

(A)	Pattern	Model RM4-45/60	Weight
EPM-01	Standard	CPI-BM2-EPM-01	.63 kg [1.39 lb]
EPM-BLK	Blank	CPI-BM2-EPM-BLK	

Dimensions and technical information are subject to change without notice

BODYBUILDER™ STRUCTURE MID MOUNT ASSEMBLIES

BodyBuilder™ Octagonal Tooling | Dimensions | Technical Specifications



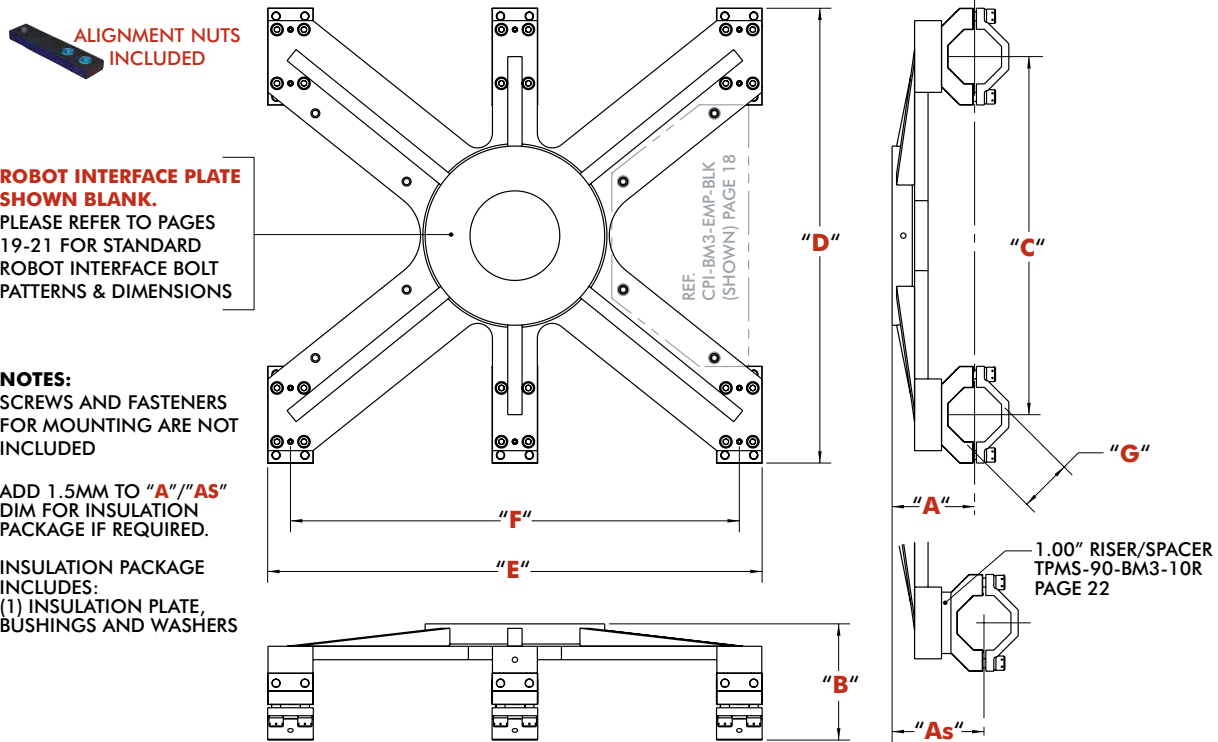
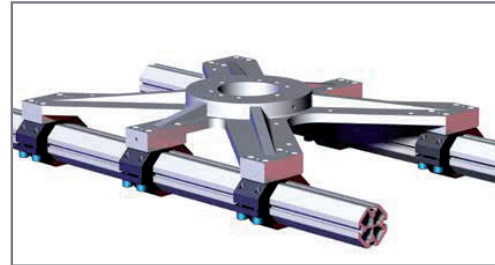
BM3-90 90mm Heavy Duty Mid Mount Assembly - Dimensions

Features:

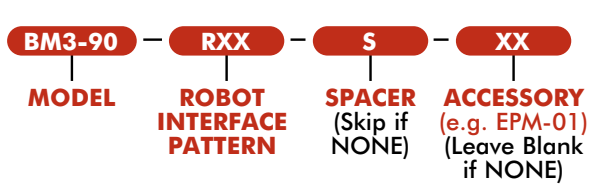
- Can be used as a direct robot interface.
- Provide robust clamping of each extrusion for maximum stability.
- Standard robot interface patterns provided. Plate can also be left blank.

Specifications:

Max. Static Product Load:
589.7 kg [1300 lb]
Material:
Mid Mount:
Cast Aluminum
Clamps: Steel



HEAVY-DUTY MID MOUNT ASSEMBLY DIMENSIONS									
Model	"A"	"As"	"B"	"C"	"D"	"E"	"F"	"G"	Weight
BM3-90	107.8 [4.24]	133.2 [5.24]	165.3 [6.51]	600.0 [23.62]	738.0 [29.06]	750.0 [29.53]	700.0 [29.53]	90	24.1 kg [53.1 lb]

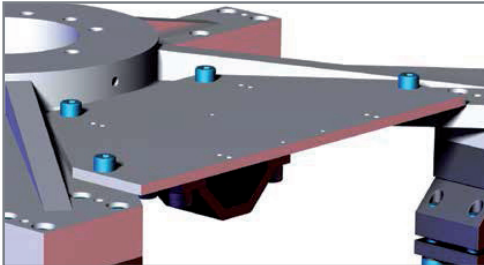


Dimensions and technical information are subject to change without notice



BODYBUILDER™ MID MOUNT ACCESSORY PLATE

BodyBuilder™ Octagonal Tooling | Dimensions | Technical Specifications

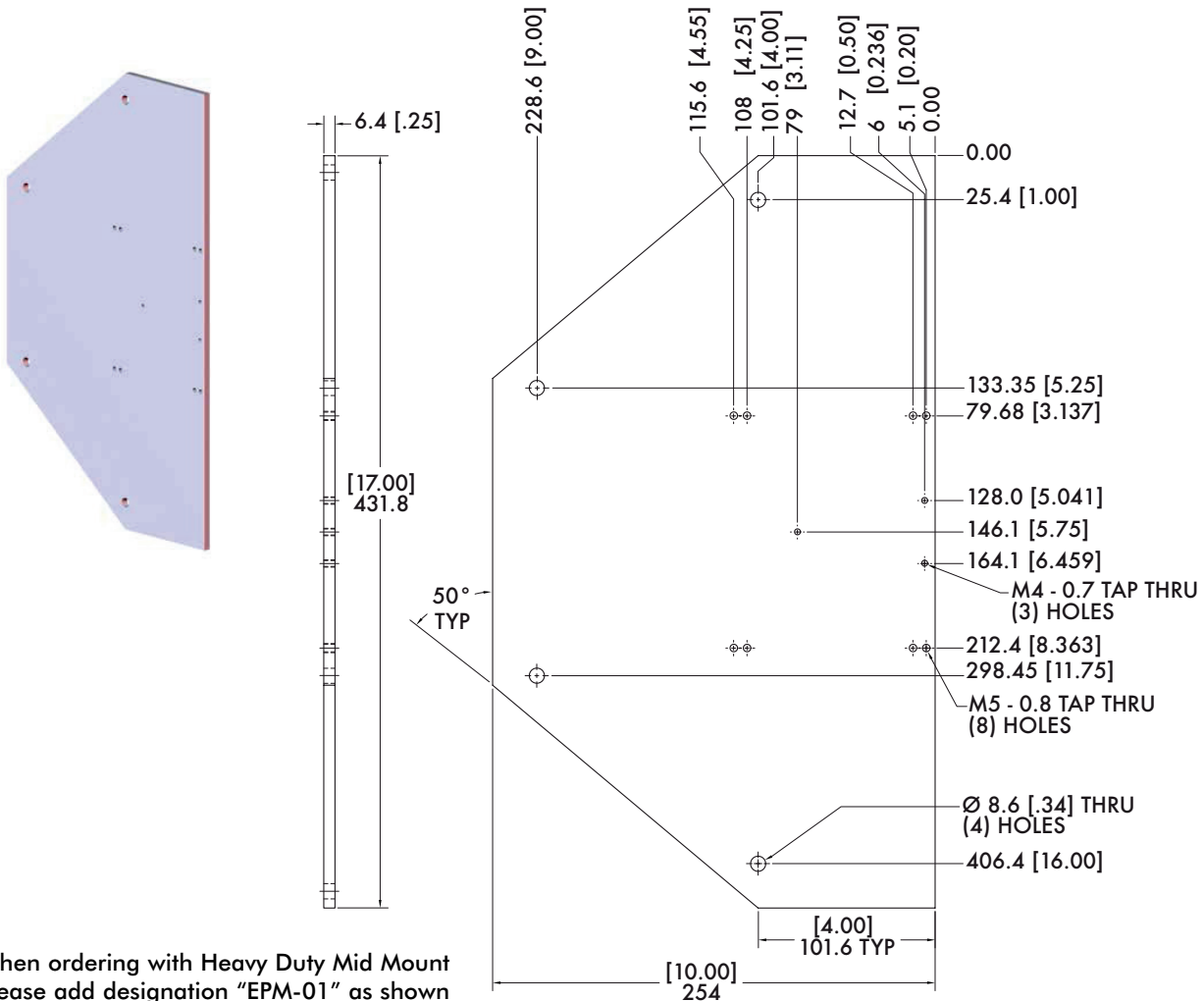


Specifications:
Material: Aluminum

BM3-EPM Accessory Mount Plate

Features:

- Mount directly to the BM3-90 Heavy Duty Mid-Mount Assembly.
- Used to mount pneumatic manifolds and electric proximity blocks.



When ordering with Heavy Duty Mid Mount Please add designation "EPM-01" as shown
BM3-90-RXX-EPM-01 or
add designation "EPM-BLK" to order blank
BM3-90-RXX-EPM-BLK
To order separately use Model Number

Model Number	Weight
CPI-BM3-EPM-xx	1.54 kg [3.39 lb]

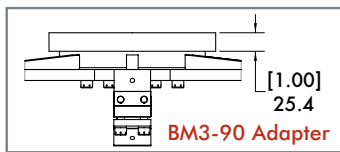
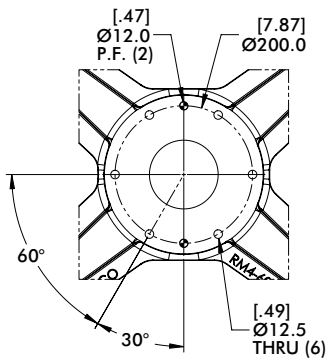
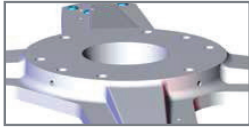
Dimensions and technical information are subject to change without notice

BODYBUILDER™ MID MOUNT BOLT PATTERNS

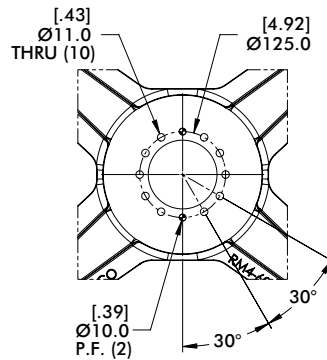
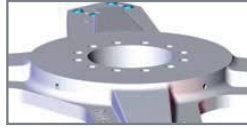
BodyBuilder™ Octagonal Tooling | Robot Interface Bolt Patterns



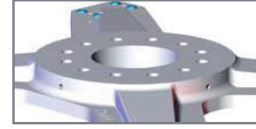
R01 (Ø200mm Bolt Circle)



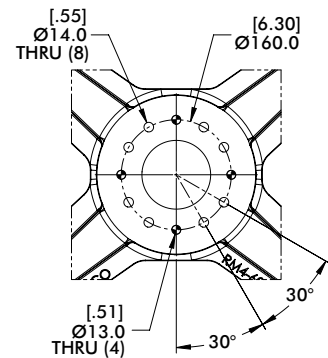
R02 (Ø125mm Bolt Circle)



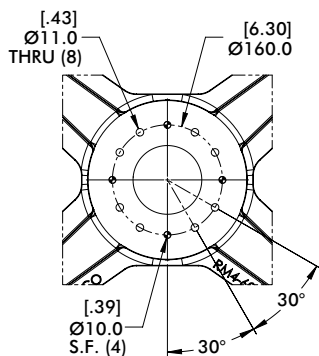
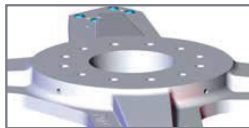
R03 (Ø160mm Bolt Circle)



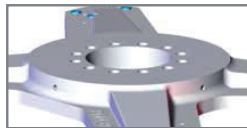
Includes Insulation
Add 1.5mm to Height Dim "A"/"AS"



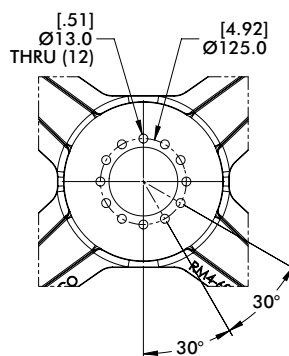
R04 (Ø160mm Bolt Circle)



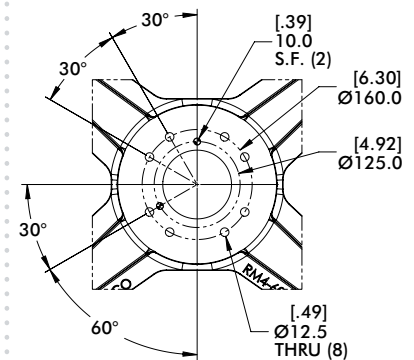
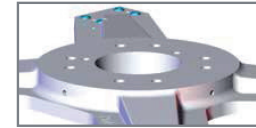
R05 (Ø125mm Bolt Circle)



Includes Insulation
Add 1.5mm to Height Dim "A"/"AS"



R06 (Ø125/160mm Bolt Circle)



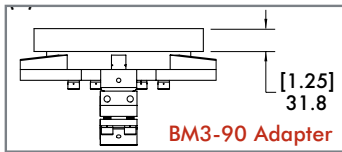
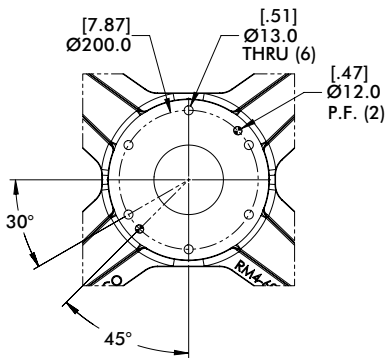
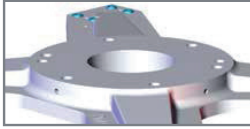
Dimensions and technical information are subject to change without notice



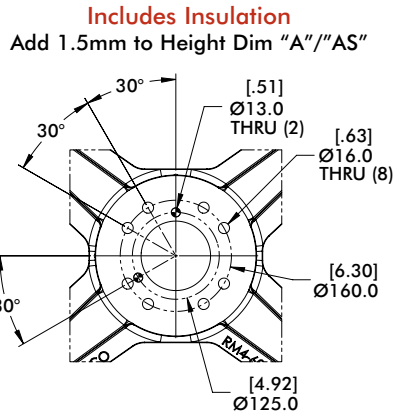
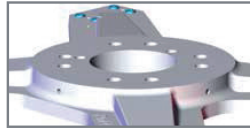
BODYBUILDER™ MID MOUNT BOLT PATTERNS

BodyBuilder™ Octagonal Tooling | Robot Interface Bolt Patterns

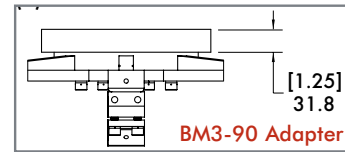
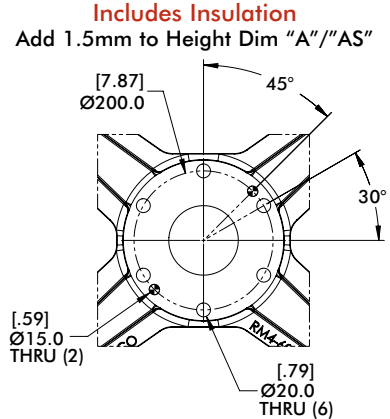
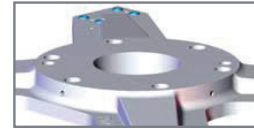
R07 (Ø200mm Bolt Circle)



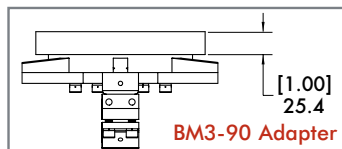
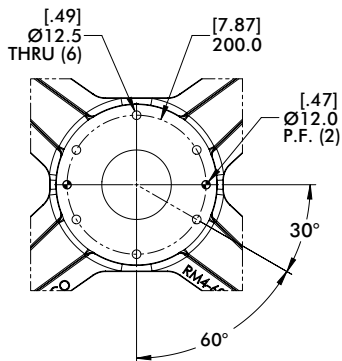
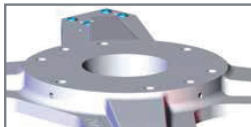
R08 (Ø125/160mm Bolt Circle)



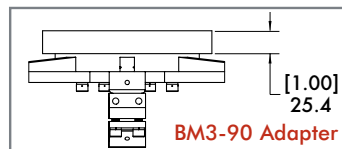
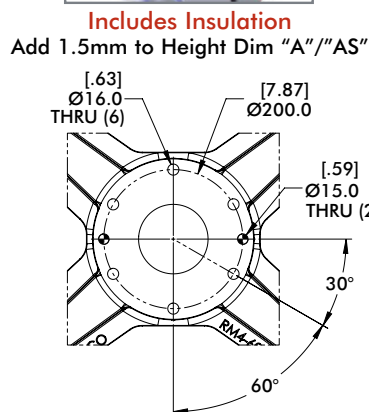
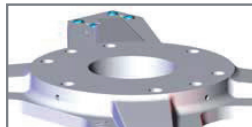
R09 (Ø200mm Bolt Circle)



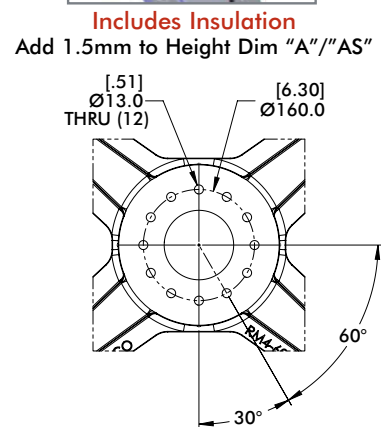
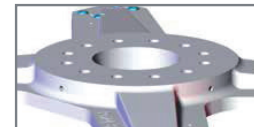
R10 (Ø200mm Bolt Circle)



R11 (Ø200mm Bolt Circle)



R12 (Ø160mm Bolt Circle)



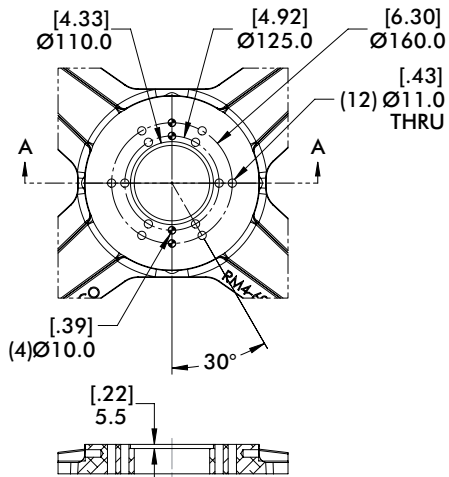
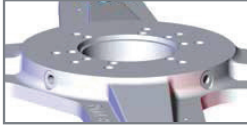
Dimensions and technical information are subject to change without notice

BODYBUILDER™ MID MOUNT BOLT PATTERNS

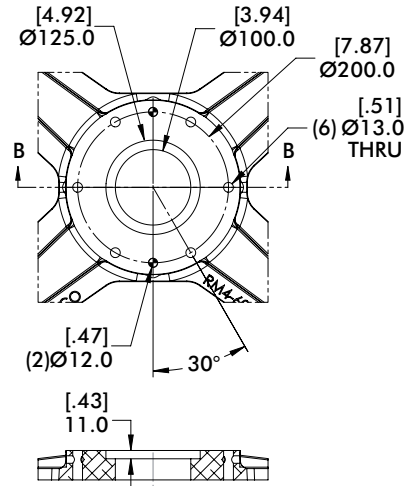
BodyBuilder™ Octagonal Tooling | Robot Interface Bolt Patterns



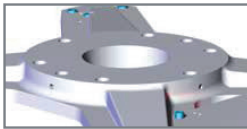
**R13 (Ø125/160mm Bolt Circle)
(Ø110mm Pilot, 5.5mm Deep)**



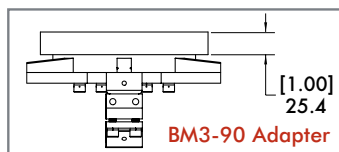
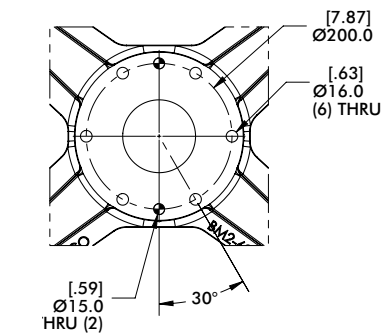
**R14 (Ø200mm Bolt Circle)
(Ø125mm Pilot, 11mm Deep)**



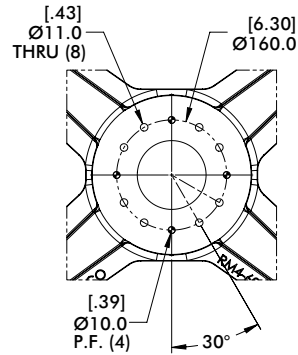
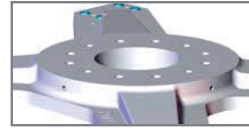
R16 (Ø200mm Bolt Circle)



Includes Insulation
Add 1.5mm to Height Dim "A"/"AS"



R17 (Ø160mm Bolt Circle)



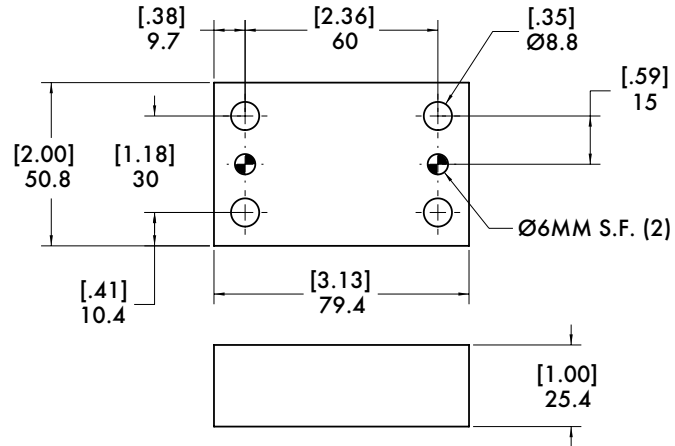
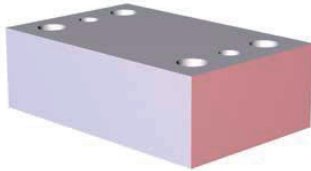
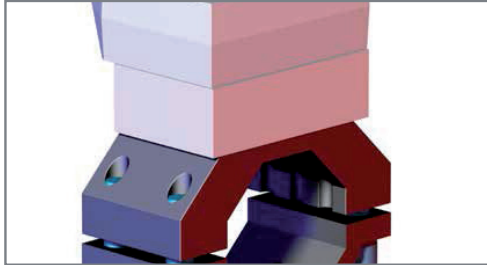
Dimensions and technical information are subject to change without notice



BODYBUILDER™ MID MOUNT RISERS

BodyBuilder™ Octagonal Tooling | Dimensions | Technical Specifications

RM4-60 Heavy Duty Mid Mount Assembly - 1.00" Riser/Spacer



When ordering with Heavy Duty Mid Mount add designation (S) as shown:

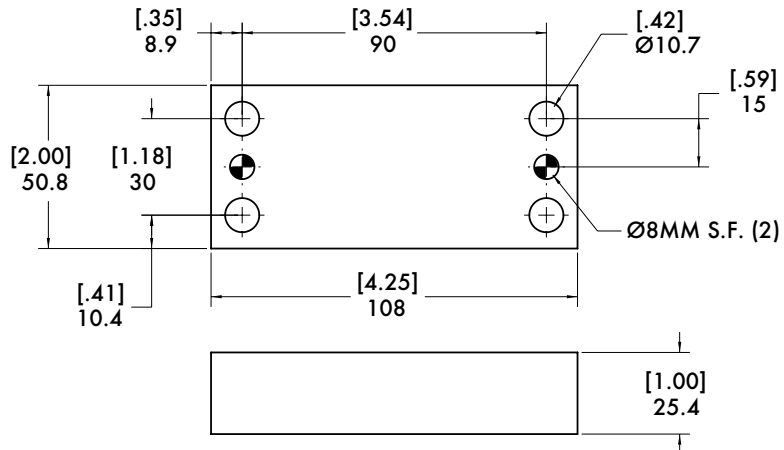
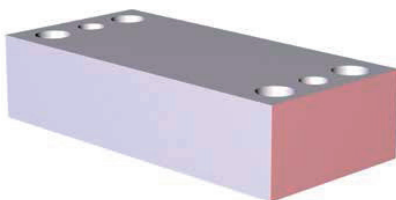
RM4-60-RXX-S

To order Riser separately use Model Number.

Riser for	Model	Weight
RM4-45/60	TPMS-60-BM2-10R	.26 kg [.56 lb]

Specifications:
Material: Aluminum

BM3-90 Heavy Duty Mid Mount Assembly - 1.00" Riser/Spacer



When ordering with Heavy Duty Mid Mount add designation (S) as shown:

BM3-90-RXX-S

To order Riser separately use Model Number.

Model Number	Weight
TPMS-90-BM3-10R	.34 kg [.76 lb]

Specifications:
Material: Aluminum

Dimensions and technical information are subject to change without notice