



A5

Griffserie A5

Abgewinkelter Rohrgriff mit Ovalsteg in unterschiedlichen Farbkombinationen.

Werkstoff und Oberfläche: Griffschenkel und Verbindungs-Ovalprofil aus stranggepresstem Aluminium AlMgSi 0,5; matt-glänzend eloxiert. Spannhülsen aus Edelstahl.

Tragkraft:
min. 1.000 N.

Hinweis:
Beliebige Griffängen und weitere Farbausführungen auf Anfrage.

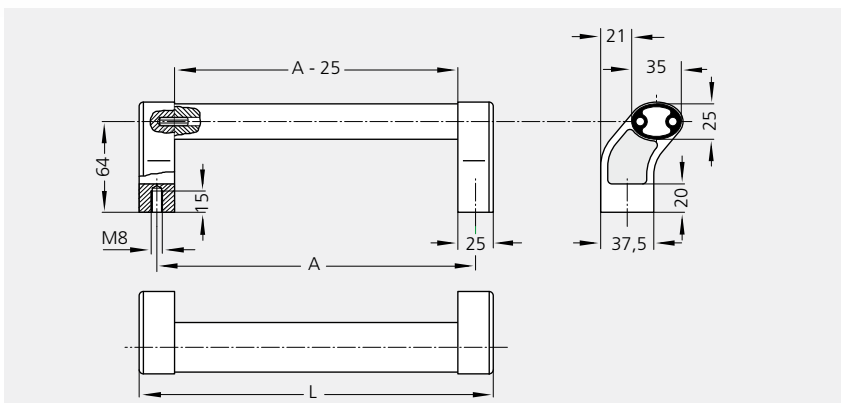
Handle Series A5

Tangent bent pipe handle with oval tube in various colour combinations.

Material and surface:
Handle shanks and connecting oval tube of extruded aluminium AlMgSi 0.5; anodized with dull bright finish. Clamping sleeves of stainless steel.

Stress resistance:
min. 1.000 N.

Note:
Other handle lengths and further colour combinations on request.



Eloxalausführung des Griffsteges Anodizing version of grip ledge

A	L	Schenkelfarbe Shank colour		naturfarben natural colour	schwarz black
				Bestell-Nr. Order no.	Bestell-Nr. Order no.
200	225	natur	natural	A5-35.200.N01	A5-35.200.N04
		schwarz	black	A5-35.200.S01	A5-35.200.S04
250	275	natur	natural	A5-35.250.N01	A5-35.250.N04
		schwarz	black	A5-35.250.S01	A5-35.250.S04
300	325	natur	natural	A5-35.300.N01	A5-35.300.N04
		schwarz	black	A5-35.300.S01	A5-35.300.S04
350	375	natur	natural	A5-35.350.N01	A5-35.350.N04
		schwarz	black	A5-35.350.S01	A5-35.350.S04
400	425	natur	natural	A5-35.400.N01	A5-35.400.N04
		schwarz	black	A5-35.400.S01	A5-35.400.S04
500	525	natur	natural	A5-35.500.N01	A5-35.500.N04
		schwarz	black	A5-35.500.S01	A5-35.500.S04
600	625	natur	natural	A5-35.600.N01	A5-35.600.N04
		schwarz	black	A5-35.600.S01	A5-35.600.S04

Alle Maße in mm. / All dimensions in mm.