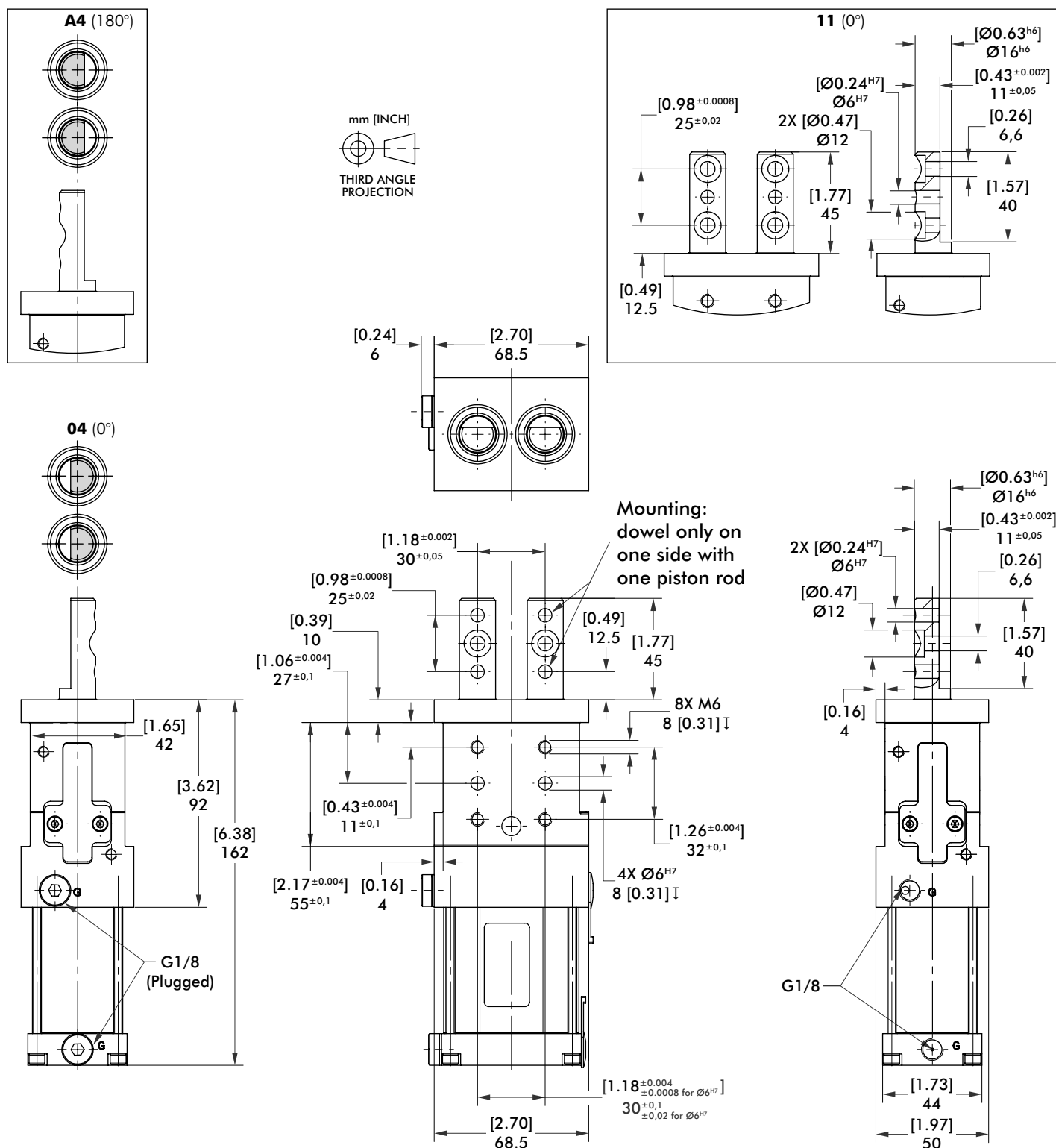


86D40/86D60

Pneumatic Pin Package | Dual Shaft | Ordering Information

<p>86D40 -1 A4 D8 00 A K</p>		<p>Plunger Description K Ceramic Option for Piston Rod</p>
<p>Base Model Description 86D40 40 mm Cylinder (G1/8 Port) 86D60 63 mm Cylinder (G1/4 Port)</p>	<p>Hand Lever Description -1 No Hand Lever H1 Handle for Manual Control (86D60 only)</p>	<p>Accessories Description 00 No Accessories 01 Locking Device for Retracted Position. Mountable on both sides (H1 only) (86D60H1000001)</p>
<p>Piston Rod Description 04 NAAMS Standard A4 NAAMS Standard Rotated 180° 11 Dual Bolt Mounting (86D40-1 Only)</p>	<p>Stroke for 86D40 B 20 mm Stroke (86D40-1000000B) A 40 mm Stroke (86D40-1000000A)</p> <p>Stroke for 86D60 B 20 mm Stroke (86D0-1000000B) A 40 mm Stroke (86D0-1000000A) C 60 mm Stroke (86D0-1000000C)</p>	<p>Sensor* for 86D40 L4 Cover Plate (86D0-100L4) D8 with 90° M12x1 Swivel Connector (86D40-100D8) *Sensors can be mounted on opposite side by customer.</p> <p>Sensor* for 86D60 L6 Cover Plate (86D0-100L6) D8 with 90° M12x1 Swivel Connector (86D0-100D8) *Sensors can be mounted on opposite side by customer.</p>
<p>86D40-1 86D60-1</p> <p>Stroke Option: A, B Stroke Option: A, B, C</p>		

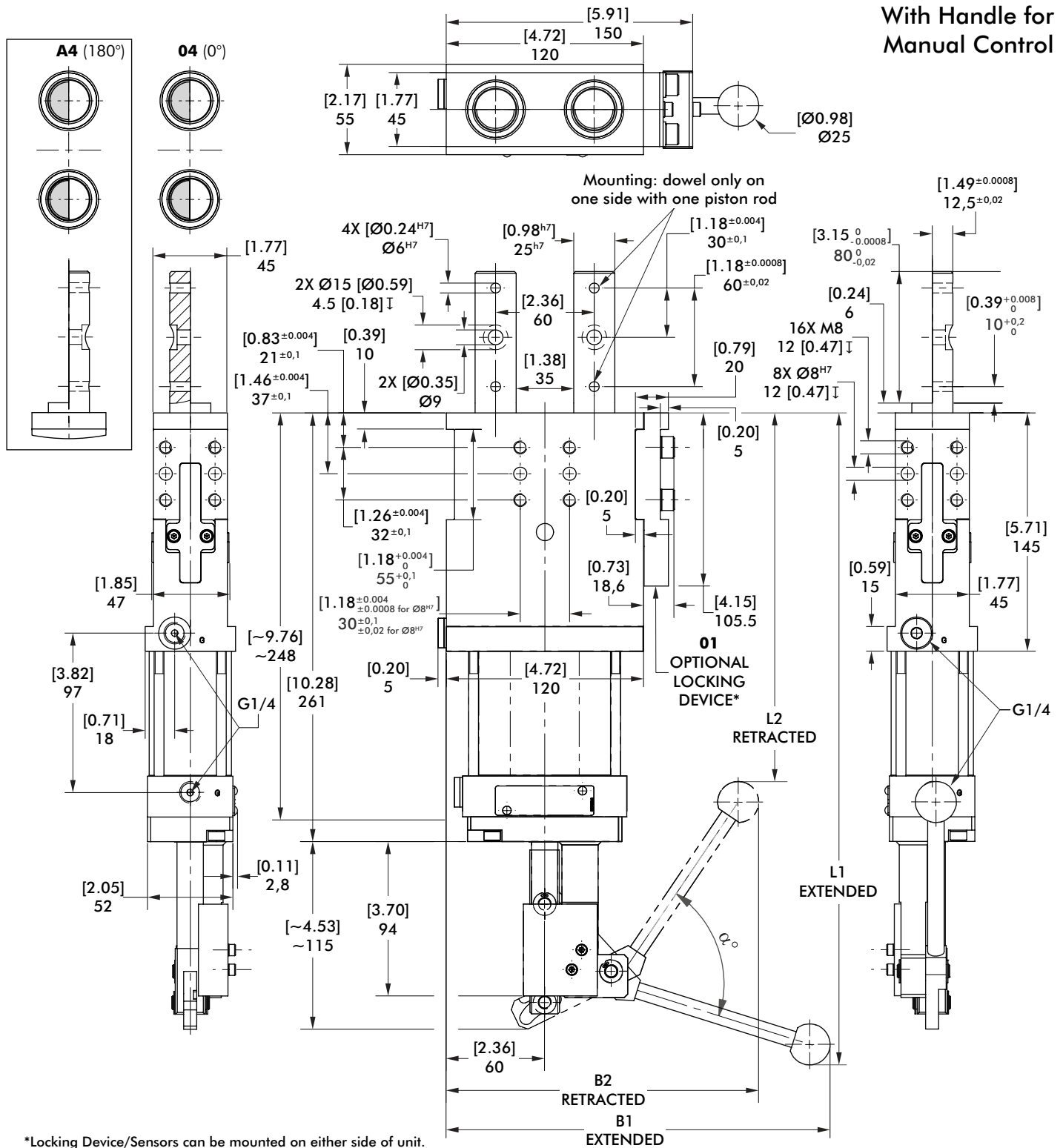
Pneumatic Pin Package | Dual Shaft | Dimensions and Technical Specifications



Base Model	Stroke +2 [0.08] mm [in]	Pushing Force at 5 bar N [lbf]	Retraction Force at 5 bar N [lbf]	Max. Operating Pressure bar [psi]	Piston Ø mm [in]	Weight Kg [lbs]	Air consumption per double stroke at 5 bar dm ³ [ft ³]
86D40-1.....A	40 [1.57]	700 [157]	600 [135]	6 [87]	40 [1.57]	1,5 [3.31]	0,75 [0.03]
86D40-1.....B	20 [0.79]	700 [157]	600 [135]	6 [87]	40 [1.57]	1,5 [3.31]	0,47 [0.02]

Pneumatic Pin Package | Dual Shaft | Dimensions and Technical Specifications

With Handle for Manual Control

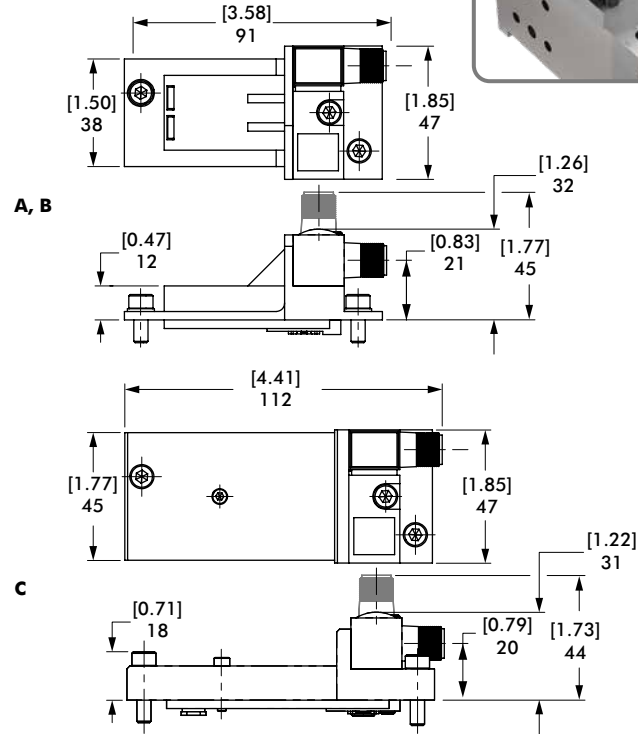


Base Model	Stroke Option	Stroke +2 [0.08] mm [in]	~B1 (extended) mm [in]	~B2 (retracted) mm [in]	~L1 (extended) mm [in]	~L2 (retracted) mm [in]	Opening Angle α	Weight Kg [lbs]
86D60H1	B, 2	20 [0.79]	242 [9.53]		351 [13.82]		52.6°	5,78 [12.74]
	A, 4	40 [1.57]	228 [8.98]	190 [7.48]	295 [11.61]	224.5 [8.84]	26.5°	5,79 [12.76]
	C, 6	60 [2.36]	234 [9.21]		397 [15.63]		73.3°	5,76 [12.69]

86D40/86D60 SENSORS

Pneumatic Pin Package | Dual Shaft | Dimensions and Technical Specifications

D8 Inductive Sensing System with 90° Swivel Connector



Inductive Sensor Wiring Diagram

Sensing system immune to interference from AC / DC arc welding.

