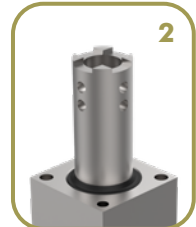


# 86P30-5

## Pneumatic Pin Package | Single Shaft | Ordering and Technical Information

<b>86P30-5</b>	<b>02</b>	<b>L8</b>	<b>00</b>	<b>4</b>
<b>Accessories</b>				
<b>00</b>				
<b>Description</b>	<b>Stroke</b>		<b>Description</b>	
No Accessories	<b>2</b>	<b>20 mm Stroke</b>		
	<b>4</b>	<b>40 mm Stroke</b>		

Piston Rod	Description
<b>02</b>	Ø16 mm M6 Threaded Inside Hole, Cross Groove
<b>05</b>	Ø10 mm M8 Threaded Inside Hole, Cross Groove



Sensor	Description
<b>L8</b>	PNP Sensor with In-line M12x1 Connector (8EA-146-4-B)
<b>N8</b>	NPN Sensor with In-line M12x1 Connector (8EA-154-4-B)
<b>L9</b>	PNP Sensor with 90° M12x1 Connector (8EA-147-4-B)
<b>N9</b>	NPN Sensor with 90° M12x1 Connector (8EA-155-4-B)
<b>K8</b>	PNP Sensor with M12x1 Cable Connector (8EA-158-4-B)
<b>K9</b>	NPN Sensor with M12x1 Cable Connector (8EA-167-4-B)



**Sensor Cables** Order separately

Order No.	Description
8EL-002-1	M12x1, Straight, 5-pin Connector with 5 m [16 ft.] Cable
8EL-003-1	M12x1, Angular, 4-pin Connector with 5 m [16 ft.] Cable

**86P30-5**

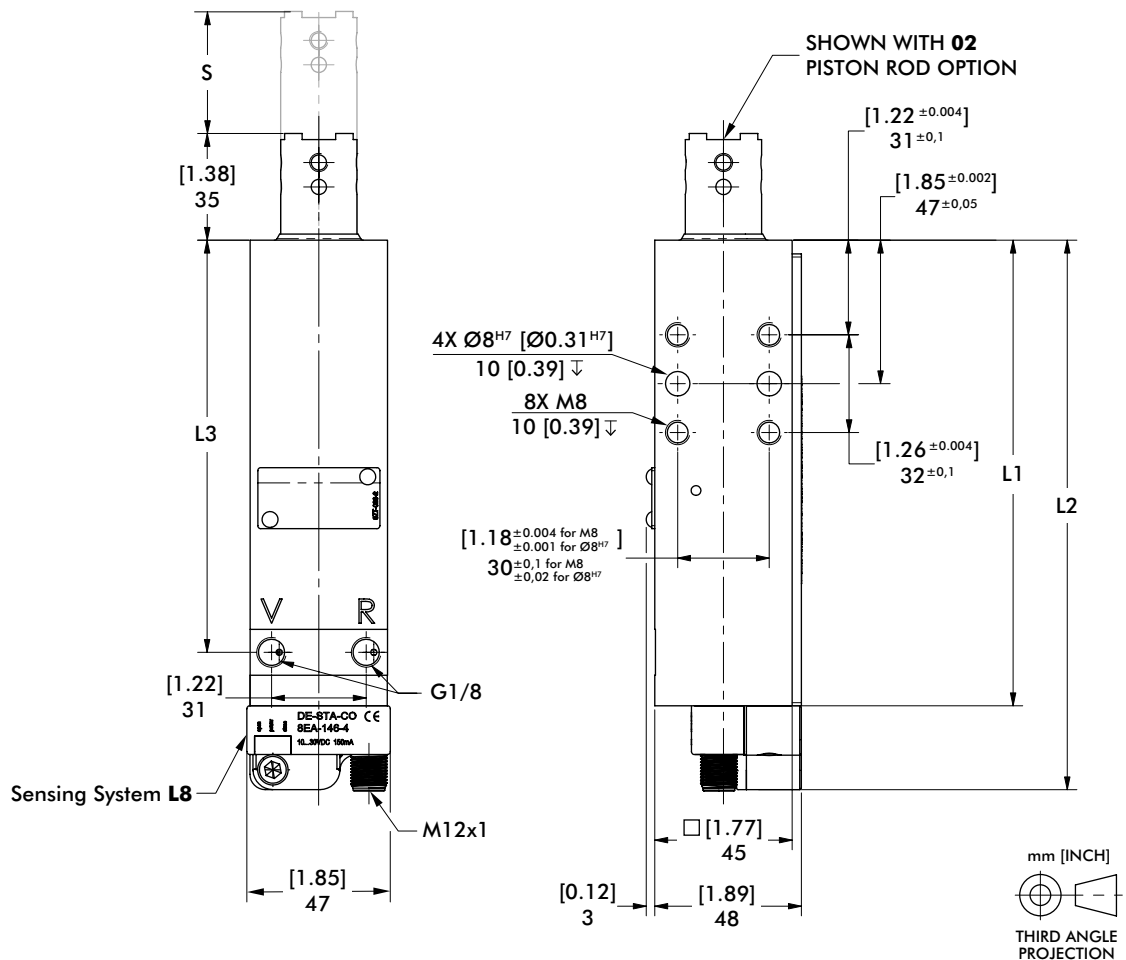
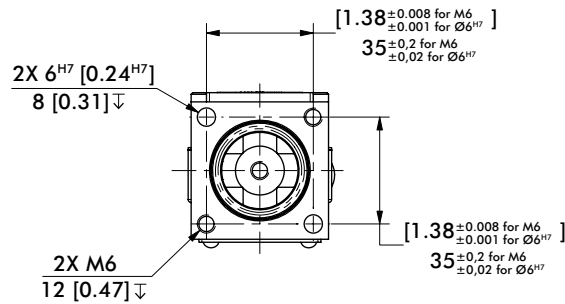
Stroke Option:

**2, 4**

Max Pushing Force at 5 bar [72 psi]: 340 N [76 lbf]

Max Retracting Force at 5 bar [72 psi]: 250 N [56 lbf]

## Pneumatic Pin Package | Single Shaft | Dimensions and Technical Specifications



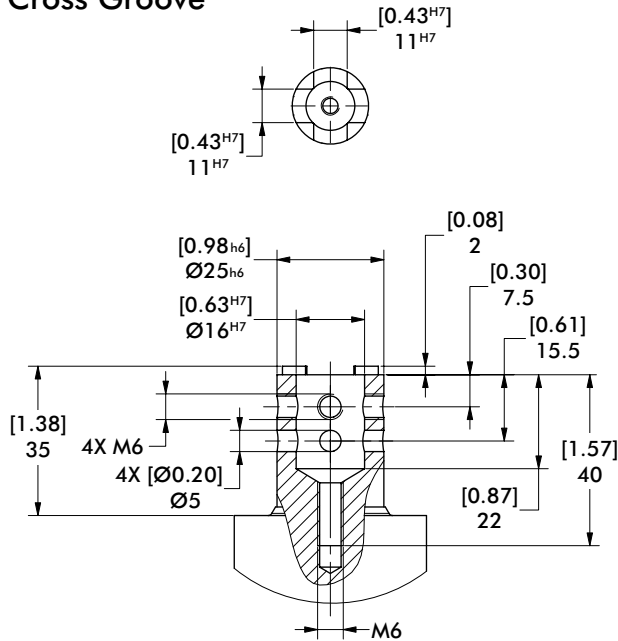
Medium: Operation with oil free air permissible

Base Model	Stroke Option	S Stroke mm [in]	L1 mm [in]	L2 mm [in]	L3 mm [in]	Pushing force at 5 bar N [lbs]	Retraction force at 5 bar N [lbs]	Max. operating pressure bar [psi]	Piston Ø mm [in]	Weight Kg [lbs]	Air consumption per double stroke at 5 bar dm <sup>3</sup> [ft <sup>3</sup> ]
86P30-5	2	20 [0.79]	112,5 [4.43]	140 [5.51]	95 [3.74]	340 [76]	250 [56]	6 [87]	30 [1.18]	0,8 [1.76]	0,32 [0.011]
	4	40 [1.57]	152,5 [6.00]	180 [7.09]	135 [5.30]	340 [76]	250 [56]	6 [87]	30 [1.18]	1 [2.20]	0,45 [0.015]

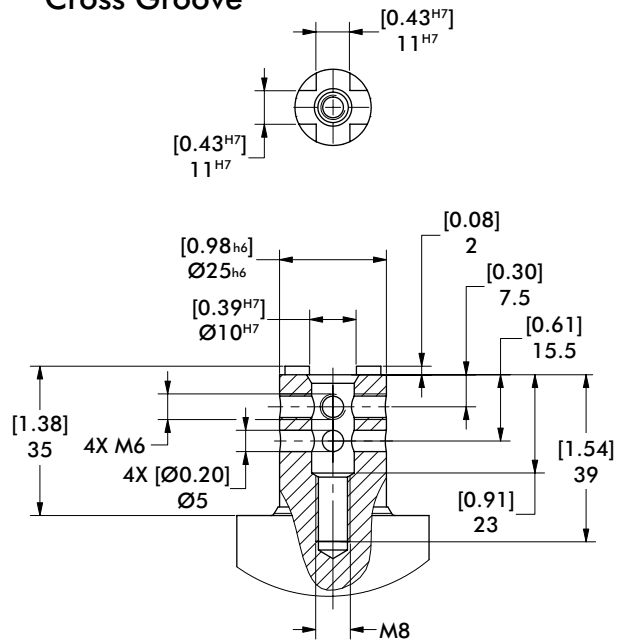
# 86P30-5 PISTON RODS

Pneumatic Pin Package | Single Shaft | Dimensions and Technical Specifications

## 02 Ø16 mm M6 Threaded Inside Hole, Cross Groove

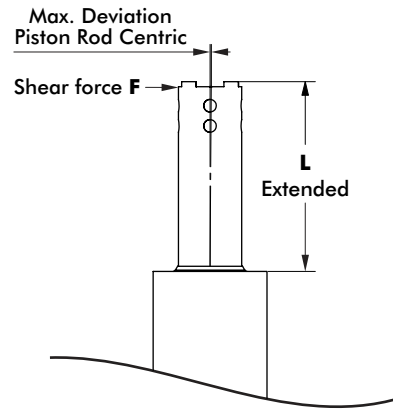


## 05 Ø10 mm M8 Threaded Inside Hole, Cross Groove

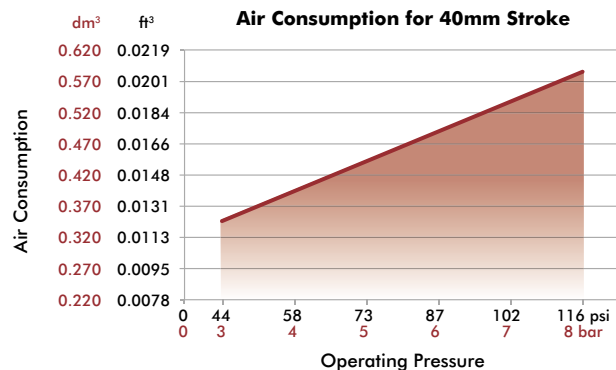
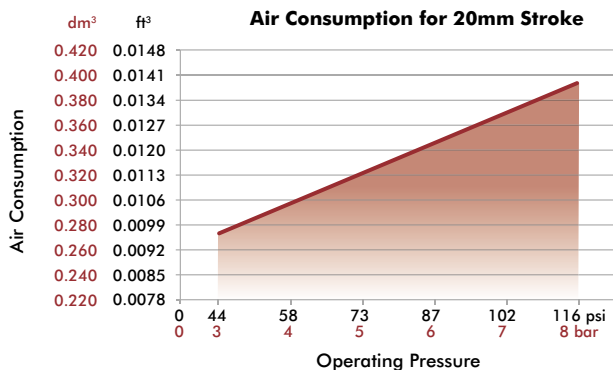


## Max Deflection for Centering Pin

Model no.	Shear force N [lbs]	L mm [in]	Stroke mm [in]	Deflection ± mm [in]
86P30-50***004	200 [45]	75 [2.95]	40 [1.58]	0,12 [0.0047]
	150 [34]			0,10 [0.0039]
	100 [22]			0,08 [0.0031]
	75 [17]			0,06 [0.0023]
86P30-50***002	200 [45]	55 [2.17]	20 [0.79]	0,07 [0.0027]
	150 [34]			0,06 [0.0023]
	100 [22]			0,06 [0.0023]
	75 [17]			0,05 [0.0019]



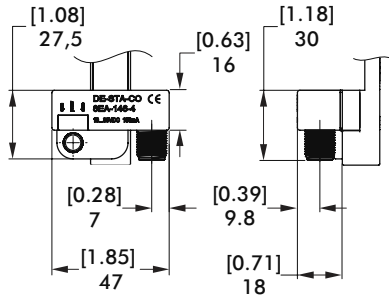
## Air Consumption



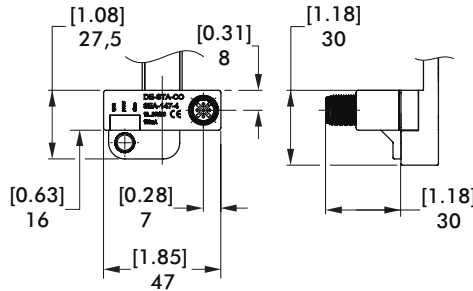
# 86P30-5 SENSORS

Pneumatic Pin Package | Single Shaft | Dimensions and Technical Specifications

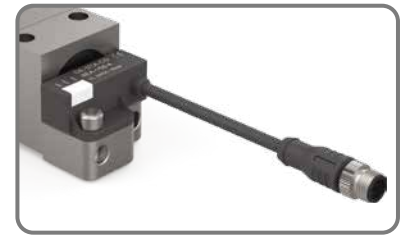
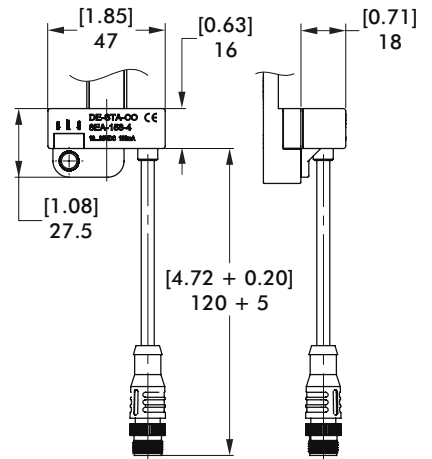
## L8, N8 Inductive Sensing System



## L9, N9 Inductive Sensing System with 90° Connector

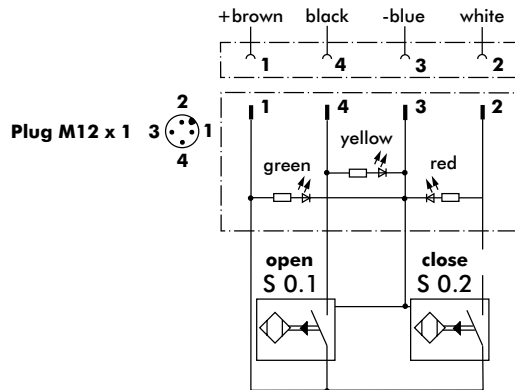


## K8, K9 Inductive Sensing System with Pigtail Connector



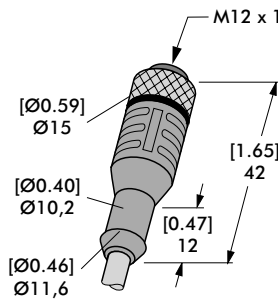
## Inductive Sensor Wiring Diagram

Sensing system immune to interference from AC / DC arc welding.

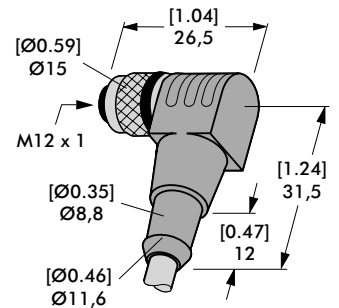


## Sensor Cable Accessories

Sensor Cables (1 connector & 5m cable)	Order no.
M12x1 connector, straight, 5-pin	<b>8EL-002-1</b>
M12x1 connector, 90° angular, 4-pin	<b>8EL-003-1</b>



**Straight Cable**  
**8EL-002-1**



**Angular Cable**  
**8EL-003-1**