

PRECISION INDEXING SOLUTIONS

Table of Contents

INDEXERS

Servo Positioners



GTB Series
Globoidal (Roller Gear)
Servo Positioner.....IN-SRV-1



RSD Series
Rotary Servo Drives.....IN-SRV-39

Mechanical Indexers



RDM Series
Rotary Index Drive IN-MCH-2



RD Series
Roller Dial Index Drive..... IN-MCH-18



E Series
Heavy-Duty Index Drive IN-MCH-30



RA Series
Right Angle Index Drive IN-MCH-42



RGD/RGS Series
Roller Gear Index Drive IN-MCH-52



P Series
Parallel Shaft/Flange Drive.... IN-MCH-72



RNG Series
Ring Drive Dial Indexer.....IN-MCH-84

OVERLOAD CLUTCHES



Overload Clutches
Output Overload..... IN-CLU-1

CUSTOM CAMS



Custom Cams
Cam Design Solutions IN-CAM-1

CONVEYORS



Rite-Link Series
Thin-Profile.....IN-CNV-1



Precision Link Series
Table-TopIN-CNV-4



Precision Link Series
Heavy-Duty IN-CNV-16

PARTS HANDLERS



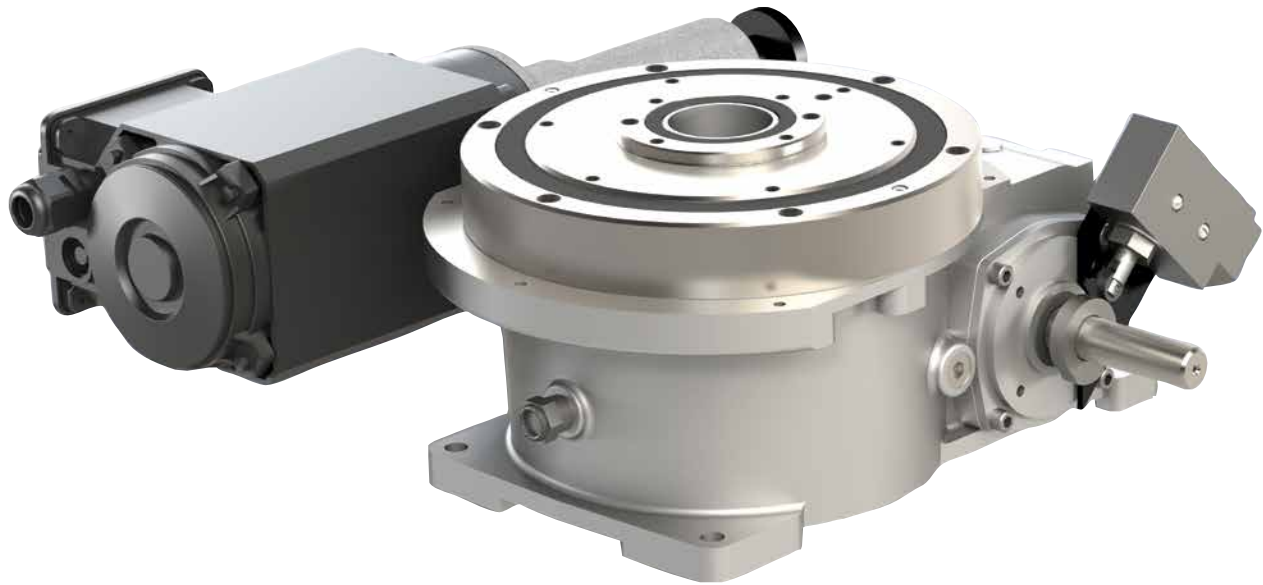
LPP Series
Linear Part Handlers IN-PRT-2



RPP Series
Rotary Part Handlers IN-PRT-8

ROTARY INDEX DRIVES

Features | Table of Contents



Features:

The **CAMCO RDM Series Index Drive** is ideal for rotary dial applications with features including:

Large output Mounting Surface supported by 4-point contact bearing offering superior thrust and moment capacity

Large Center Thru Hole

Low Profile

Complete, Motorized Drive Packages

Optional Output Overload Clutch

Table of Contents

How to Order	3
80RDM	5
601RDM	7
902RDM	9
1100RDM	11
1305RDM	13
1800RDM	15

RDM SERIES

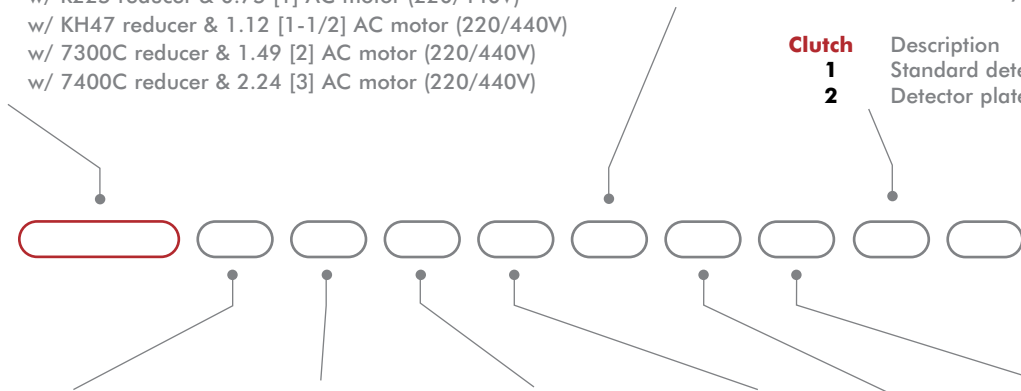
Rotary Index Drive | How To Order

Base Model	Description kW [HP]
80RDM	w/ R180 reducer & 0.25 [1/3] AC motor (220/440V)
601RDM	w/ R180 reducer & 0.25 [1/3] AC motor (220/440V)
902RDM	w/ R225 reducer & 0.75 [1] AC motor (220/440V)
1100RDM	w/ KH47 reducer & 1.12 [1-1/2] AC motor (220/440V)
1305RDM	w/ 7300C reducer & 1.49 [2] AC motor (220/440V)
1800RDM	w/ 7400C reducer & 2.24 [3] AC motor (220/440V)

Control	Description
1	1 HP 120V 80RDM,601RDM & 902RDM only
2	1 HP 240V 80RDM,601RDM & 902RDM only
3	1 HP 440V 80RDM,601RDM & 902RDM only
4	2 HP 240V 1100RDM & 1305RDM only
5	2 HP 440V 1100RDM & 1305RDM only
6	3 HP 240V 1800RDM only
7	3 HP 440V 1800RDM only

Clutch	Description
1	Standard detector plate
2	Detector plate with hole

Setting	N-m [in-lbs]
A	47 [420]
B	70 [620]
C	85 [750]
D	130 [1150]
E	198 [1750]
F	333 [2950]
G	452 [4000]
* Eg: For 601RDM	



Motion	Stops	Index Period
A	2	330
B	3	330
C	4	330
D	6	330
E	8	330
F	12	330
G	16	330

Index Mounting
(See Figure 3)
1
2
3
4
5
6

Reducer Ratio	
	1100RDM
A	15 15.86
B	20 19.58
C	25 24.06
D	30 29.37
E	40 39.61
F	50 48.95
G	60 56.83
H	15 --

Reducer Mounting	
(See Figure 4)	
A	J
B	K
C	L
D	M
E	N
F	P
G	R
H	S

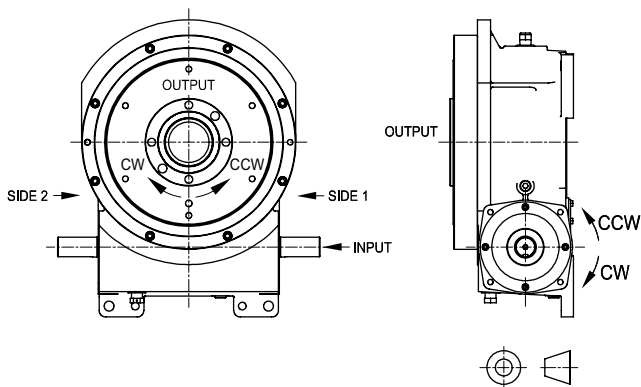
Signal Switch	
M	Mechanical
D	Double
P	Proximity
R	Reducer
S	Shaft

Example: MR, MS, DR, DS, PR or PS

Note about signal switch options:
 a) Mechanical is a single switch with cam.
 b) Proximity option is a mounting bracket for 8 or 12 mm proximity switch. A proximity switch will not be supplied. Cam supplied as target.

Other Motions (stops and index periods) available. Contact your DESTACO sales representative for more information.

Input Shaft Configuration/Rotation (Figure 1)

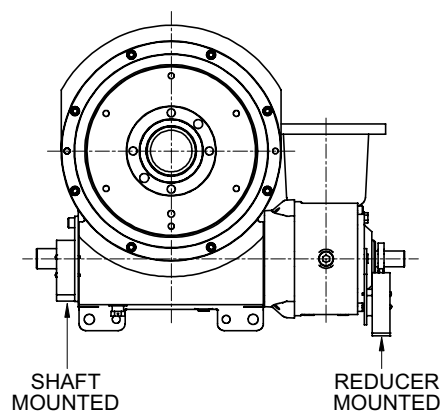


Relative Rotation for Right Hand Cam:

CW Input Side 1 CCW Output
 CCW Input Side 2 CCW Output

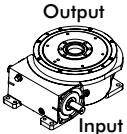
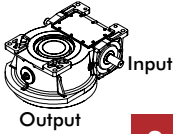
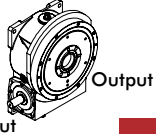
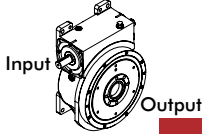
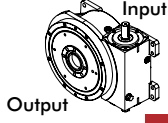
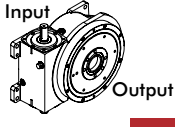
NOTE: Input can be driven in either direction

Signal Switch Mounting Position (Figure 2)

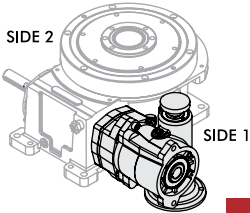
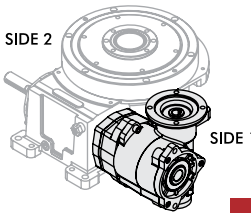
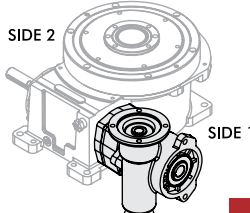
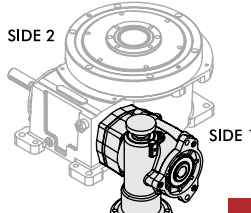
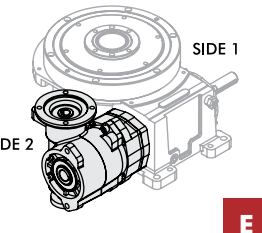
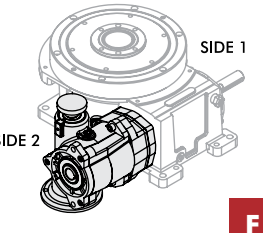
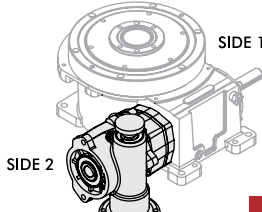
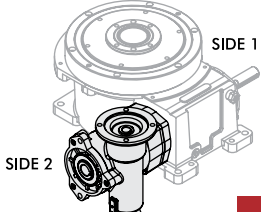
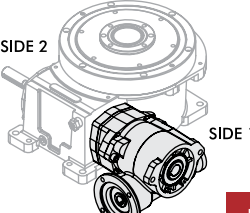
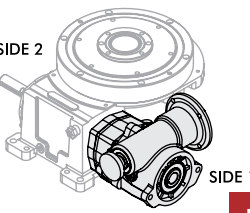
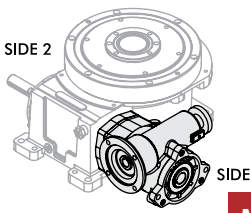
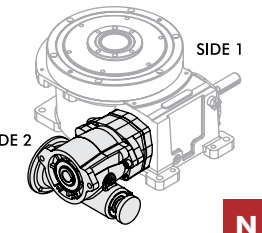
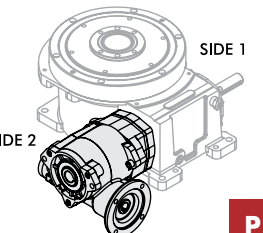
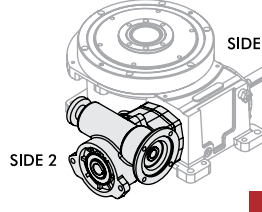
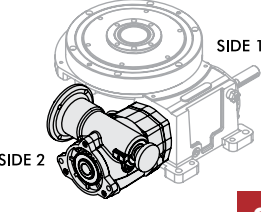


RDM SERIES

Rotary Index Drive | Input/Output Orientation (Figure 3)

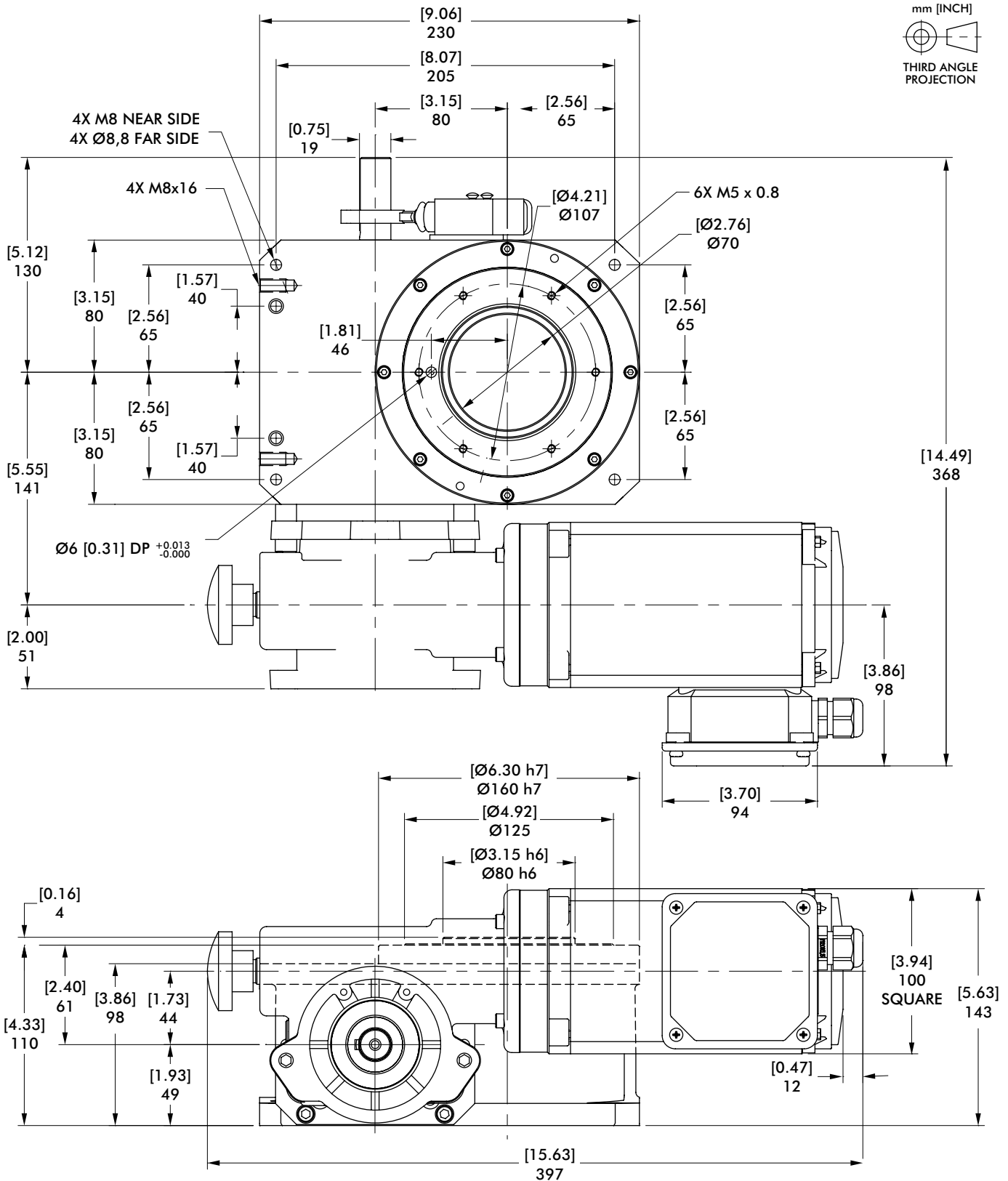
OVOI (output vertical, over input)	OVUI (output vertical, under input)	OHOI (output horizontal, over input)	OHUI (output horizontal, under input)	H-S1-UP (output horizontal, side 1 up)	H-S2-UP (output horizontal, side 2 up)
 <p>Output Input</p> <p>1</p>	 <p>Input Output</p> <p>2</p>	 <p>Output Input</p> <p>3</p>	 <p>Input Output</p> <p>4</p>	 <p>Input Output</p> <p>5</p>	 <p>Input Output</p> <p>6</p>

Gear Reducer Mounting Positions (Figure 4)

		Mounting "A"		Mounting "B"	
		RD Worm	LD Worm	RD Worm	LD Worm
SIDE 1	 <p>A</p>	 <p>B</p>	 <p>C</p>	 <p>D</p>	
	SIDE 2	 <p>E</p>	 <p>F</p>	 <p>G</p>	 <p>H</p>
		Mounting "C"		Mounting "D"	
		RD Worm	LD Worm	RD Worm	LD Worm
SIDE 1	 <p>J</p>	 <p>K</p>	 <p>L</p>	 <p>M</p>	
	SIDE 2	 <p>N</p>	 <p>P</p>	 <p>R</p>	 <p>S</p>

8ORDM SERIES

Rotary Index Drive | Dimensions



Maximum Inertia x 1000 kg-cm ² [lb-in ²] for standard package							
Stops	Motion Time [seconds]						
	0.458	0.611	0.764	0.917	1.222	1.528	1.833
2	0 [0]	3 [1]	6 [2]	15 [5]	29 [10]	47 [16]	67 [23]
3	3 [1]	9 [3]	20 [7]	32 [11]	61 [21]	94 [32]	138 [47]
4	6 [2]	18 [6]	38 [13]	67 [23]	135[46]	217 [74]	304 [104]
6	15 [5]	38 [13]	82 [28]	126 [43]	246 [84]	401 [137]	559 [191]
8	20 [7]	44 [15]	73 [25]	114 [39]	222 [76]	372 [127]	559 [191]
12	50 [17]	99 [34]	167 [57]	258 [88]	497 [170]	559 [191]	559 [191]
16	47 [16]	91 [31]	152 [52]	231 [79]	448 [153]	559 [191]	559 [191]
Reducer Ratio							
	15	20	25	30	40	50	60

Contact your DESTACO sales representative for more information.

Features

- R180 Reducer (Ratios from 15:1 to 60:1)
 - Double Extended Worm Shaft (Input)
 - Worm Shaft Handwheel
- Double Extended Camshaft (Input Shaft)
- Center Thru Hole (Ø70 mm [Ø2.76])
- 1/3 HP AC Drive Package with Inverter Duty Motor and IM-pAC AC Drive (up to 60 cpm)
- Cycle Cam and Limit Switch Mounted to Camshaft
- Right Hand Cam
- Universal Mounting Capability

Optional Accessories

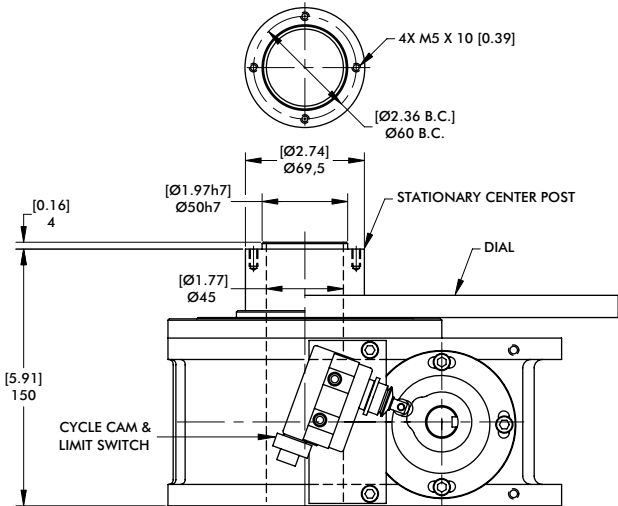
- 1/3 HP DC Motor
- Varipak DC Motor Control (up to 30 cpm)
- Stationary Center Post
- Dual Cam and Limit Switch
- Electric Clutch-Brake
- Left Hand Cam

Output Load Capacity (loads carried during index):
 Radial 3358 N [755 lbs]
 Thrust/Axial 8385 N [1885 lbs]
 Moment 213 N-m [1885 in-lb]

Typical Application Dial Diameter: 203 mm [8 in] to 711 mm [28 in]

Accuracy ±44 arcsec / ±0,08 mm [±.003in] at 355,6 mm [14in] Radius

Repeatability ±11 arcsec / ±0,018 mm [±.0007in] at 355,6 mm [14in] Radius



Unless otherwise noted, all dimensions are in mm.

Maximum Inertia x 1000 kg-cm ² [lb-in ²] for standard package							
Stops	Motion Time [seconds]						
	0.458	0.611	0.764	0.917	1.222	1.528	1.833
2	0 [0]	3 [1]	6 [2]	15 [5]	32 [11]	50 [17]	70 [24]
3	3 [1]	9 [3]	20 [7]	35 [12]	82 [28]	123 [42]	170 [58]
4	6 [2]	18 [6]	38 [13]	67 [23]	152 [52]	228 [78]	310 [106]
6	15 [5]	41 [14]	82 [28]	149 [51]	328 [112]	492 [168]	667 [228]
8	29 [10]	73 [25]	149 [51]	263 [90]	582 [199]	875 [299]	1188 [406]
12	64 [22]	167 [57]	337 [115]	597 [204]	1314 [449]	1399 [478]	1399 [478]
16	117 [40]	296 [101]	600 [205]	1056 [361]	1399 [478]	1399 [478]	1399 [478]
Reducer Ratio							
	15	20	25	30	40	50	60

Other Motions (stops and index periods) available. Contact your DESTACO sales representative for more information.

Features

- R180 Reducer (Ratios from 15:1 to 60:1)
 - Double Extended Worm Shaft (Input)
 - Worm Shaft Handwheel
- Double Extended Camshaft (Input Shaft)
- Center Thru Hole (Ø44,45 [Ø1.75])
- 1/3 HP AC Drive Package with Inverter Duty Motor and IM-pAC AC Drive (up to 60 cpm)
- Cycle Cam and Limit Switch Mounted to Camshaft
- Right Hand Cam

Output Load Capacity (loads carried during index):

Radial	4204 N [945 lbs]
Thrust/Axial	10498 N [2360 lbs]
Moment	373 N-m [3305 in-lb]

Typical Application

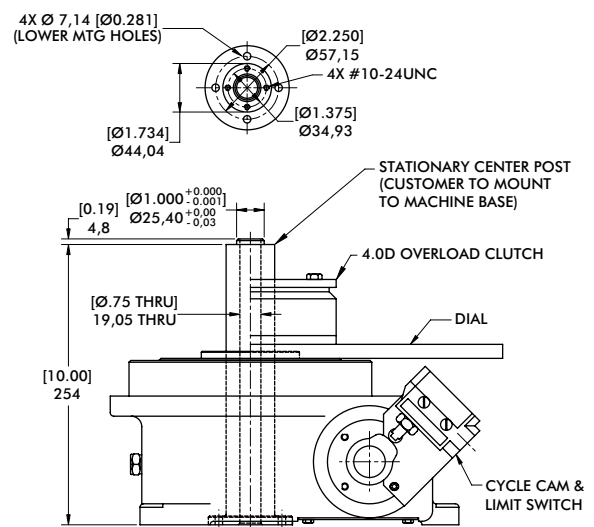
Dial Diameter: 305 mm [12 in] to 914 mm [36 in]

Accuracy ±39 arcsec / ±0,08 mm [±.003in] at 457,2 mm [18in] Radius

Repeatability ±10 arcsec / ±0,023 mm [±.0009in] at 457,2 mm [18in] Radius

Optional Accessories

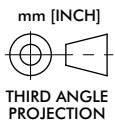
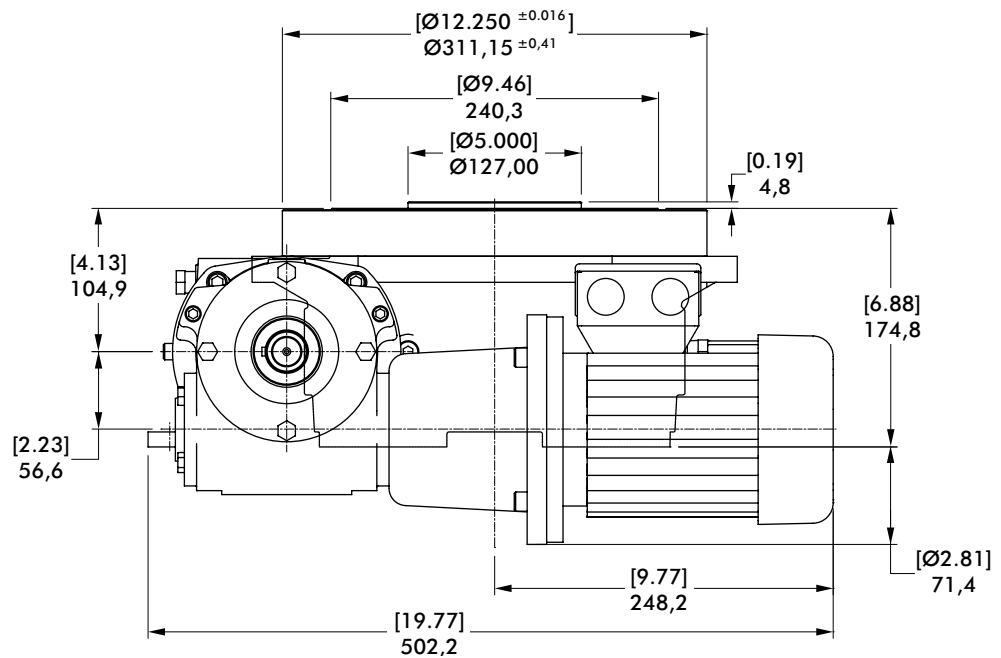
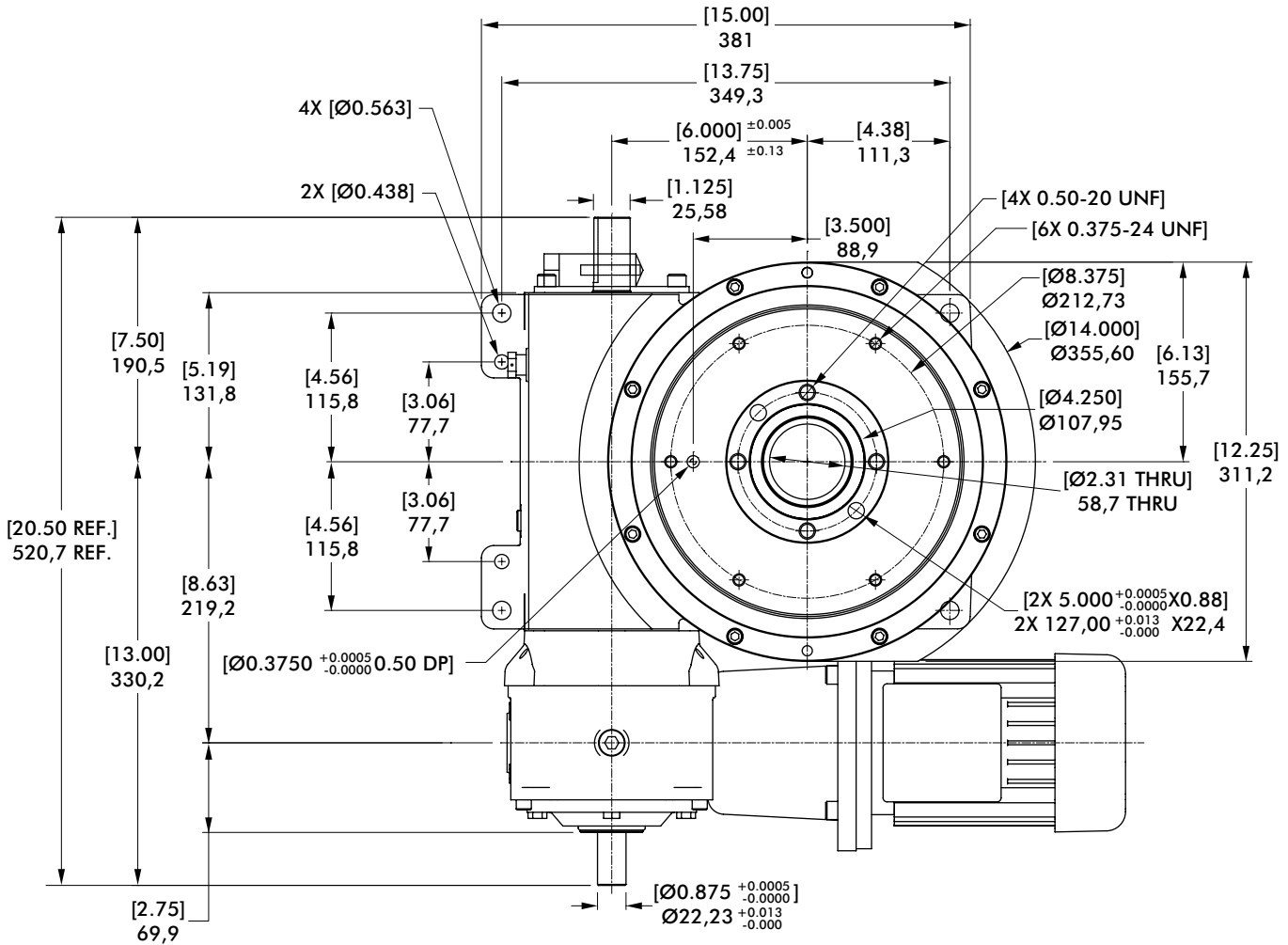
- 1/3 hp DC Motor
- Varipak DC Motor Control (up to 30 cpm)
- Output Overload Clutch model 4.0D
 - Available Settings (in-lbs): 420, 620, 750, 1150, 1750, 2940, 4000
- Stationary Center Post
- Dual Cam and Limit Switch
- Left Hand Cam
- Relief in Dwell for shot-pin applications



Unless otherwise noted, all dimensions are in inches.

902RDM SERIES

Rotary Index Drive | Dimensions



Maximum Inertia x 1000 kg-cm ² [lb-in ²] for standard package							
Stops	Motion Time [seconds]						
	0.458	0.611	0.764	0.917	1.222	1.528	1.833
2	3 [1]	9 [3]	20 [7]	35 [12]	76 [26]	117 [40]	161 [55]
3	12 [4]	32 [11]	67 [23]	120 [41]	246 [84]	369 [126]	509 [174]
4	23 [8]	59 [20]	120 [41]	214 [73]	439 [150]	661 [226]	907 [310]
6	53 [18]	129 [44]	263 [90]	462 [158]	945 [323]	1419 [485]	1952 [667]
8	94 [32]	234 [80]	468 [160]	825 [282]	1683 [575]	2528 [864]	3474 [1187]
12	214 [73]	530 [181]	989 [338]	1425 [487]	2531 [865]	3956 [1352]	5701 [1948]
16	380 [130]	916 [313]	1481 [506]	2130 [728]	3790 [1295]	5923 [2024]	8528 [2914]
Reducer Ratio							
	15	20	25	30	40	50	60

Other Motions (stops and index periods) available. Contact your DESTACO sales representative for more information.

Features

- R225 Reducer (Ratios from 15:1 to 60:1)
- Single Extended wormshaft (Standard)
- Double Extended Camshaft (Input Shaft)
- Center Thru Hole (Ø57,15 mm [Ø2.25])
- 1 HP AC Drive Package with Inverter Duty Motor and IM-pAC AC Drive (up to 60 cpm)
- Cycle Cam and Limit Switch Mounted to Camshaft
- Right Hand Cam

Output Load Capacity (loads carried during index):

Radial	15747 N [3540 lbs]
Thrust/Axial	31138 N [7000 lbs]
Moment	373 N-m [21620 in-lb]

Typical Application

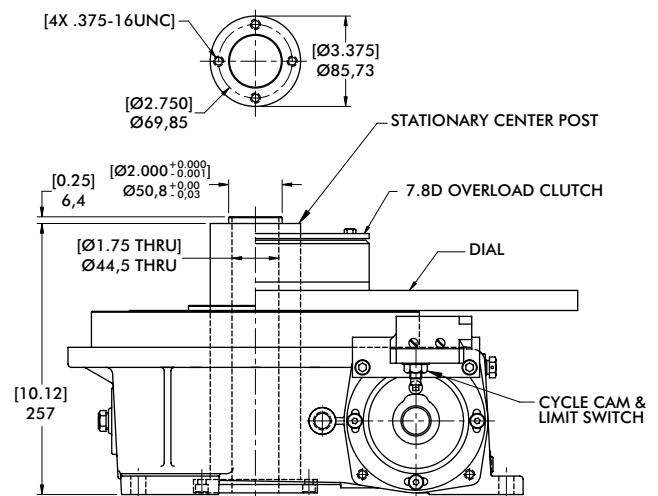
Dial Diameter: 508 mm [20 in] to 1219 mm [48 in]

Accuracy ±27 arcsec / ±0,08 mm [±.003in] at 609,6 mm [24in] Radius

Repeatability ±10 arcsec / ±0,020 mm [±.0008in] at 609,6 mm [24in] Radius

Optional Accessories

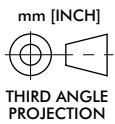
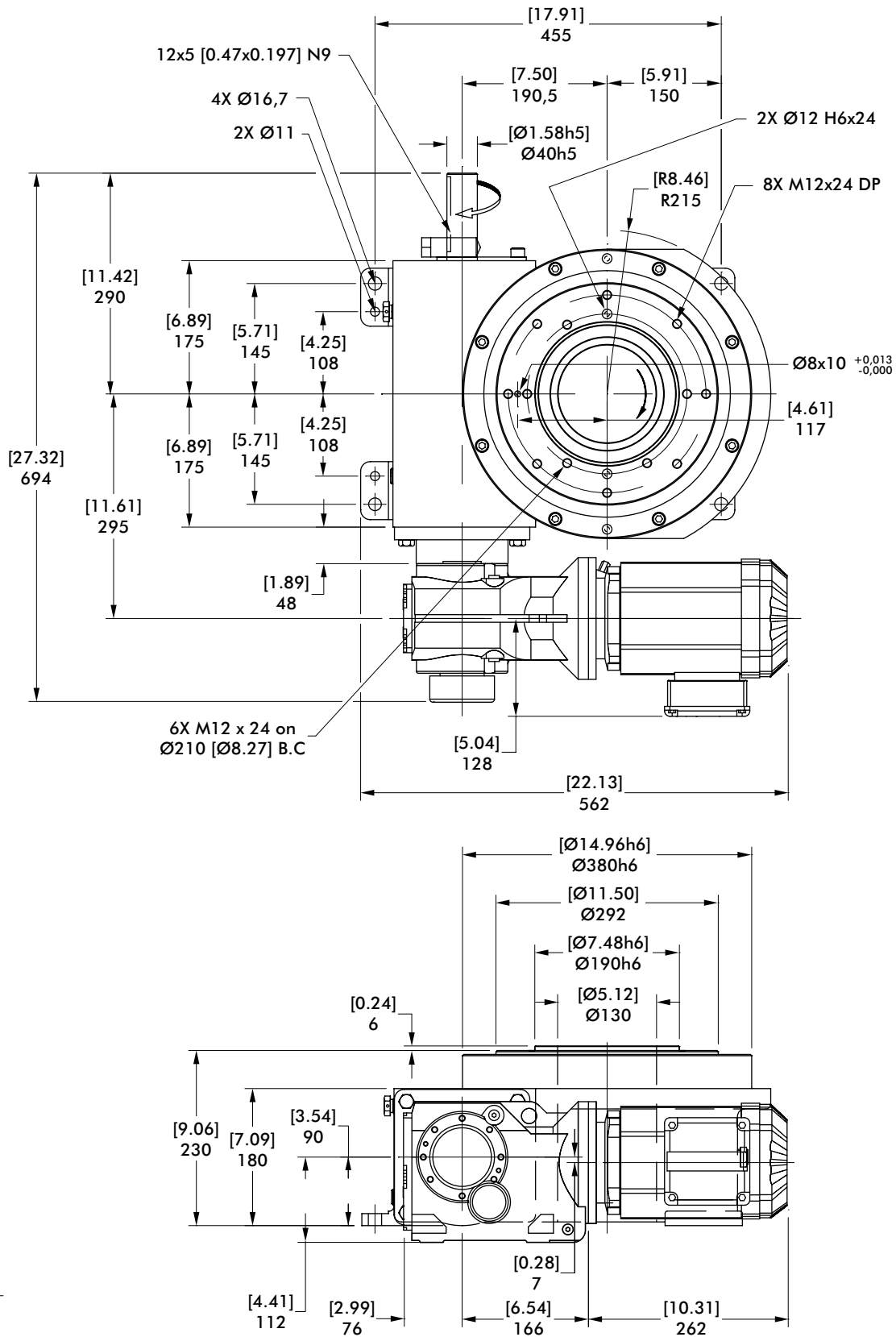
- 1 hp DC Motor
- Varipak DC Motor Control (up to 30 cpm)
- Output Overload Clutch model 7.8D
 - Available Settings (in-lbs): 1400, 1700, 2600, 3200, 4200, 5000, 7200, 10000
- Stationary Center Post
- Dual Cam and Limit Switch
- Base Riser Blocks
- Electric Clutch-Brake
- Left Hand Cam
- Relief in Dwell for shot-pin applications



Unless otherwise noted, all dimensions are in inches.

1100RDM SERIES

Rotary Index Drive | Dimensions



Maximum Inertia x 1000 kg-cm ² [lb-in ²] for standard package							
Stops	Motion Time [seconds]						
	0.458	0.611	0.764	0.917	1.222	1.528	1.833
2	3 [1]	15 [5]	32 [11]	64 [22]	176 [60]	342 [117]	518 [177]
3	18 [6]	38 [13]	79 [27]	152 [52]	401 [137]	775 [265]	1171 [400]
4	38 [13]	79 [27]	161 [55]	304 [104]	790 [270]	1525 [521]	2297 [785]
6	88 [30]	179 [61]	351 [120]	664 [227]	1703 [582]	3283 [1122]	4940 [1688]
8	161 [55]	325 [111]	632 [216]	1185 [405]	3035 [1037]	5838 [1995]	7916 [2705]
12	369 [126]	735 [251]	1428 [488]	2672 [913]	6833 [2335]	12563 [4293]	16932 [5786]
16	658 [225]	1314 [449]	2543 [869]	4138 [1414]	7781 [2659]	11884 [4061]	16019 [5474]
Reducer Ratio							
	15.86	19.58	24.06	29.32	39.61	48.95	56.83

Other Motions (stops and index periods) available. Contact your DESTACO sales representative for more information.

Features

- KH47 Reducer and AC Motor with Optional Brake
- Double Extended Camshaft (Input Shaft)
- Center Thru Hole (130 mm / 5.1 in. Diameter)
- AC drive package with Inverter Duty Motor and Inverter Drive (up to 60 cpm)
- Cycle Cam and Limit Switch Mounted to Camshaft
- Right Hand Cam

Optional Accessories

- 7300C Reducer (Ratios from 15:1 to 60:1)
- 1.5 HP DC motor
- Varipak DC Motor Control (up to 30 cpm)
- 7350C Heavy Duty Reducer (Ratios from 10:1 to 60:1)
- Stationary Center Post
- Dual Cam and Limit Switch
- Left Hand Cam
- Relief in Dwell for shot-pin applications

Output Load Capacity (loads carried during index):

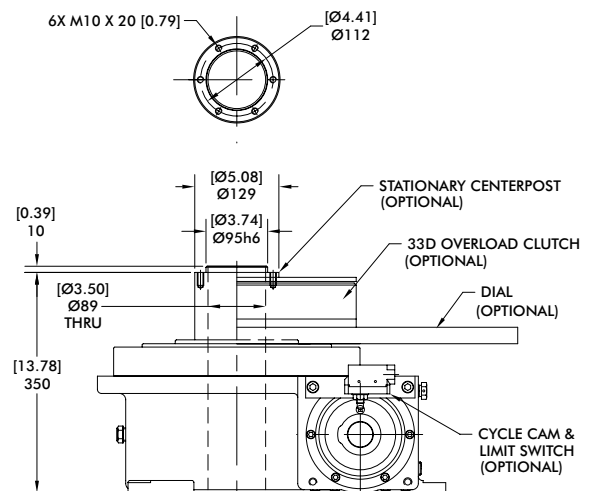
Radial	13789 N [3100 lbs]
Thrust/Axial	35586 N [8000 lbs]
Moment	3240 N-m [28674 in-lb]

Typical Application

Dial Diameter: 508 mm [20 in] to 1524 mm [60 in]

Accuracy ±22 arcsec / ±0,08 mm [±.003in] at 76 mm [30in] Radius

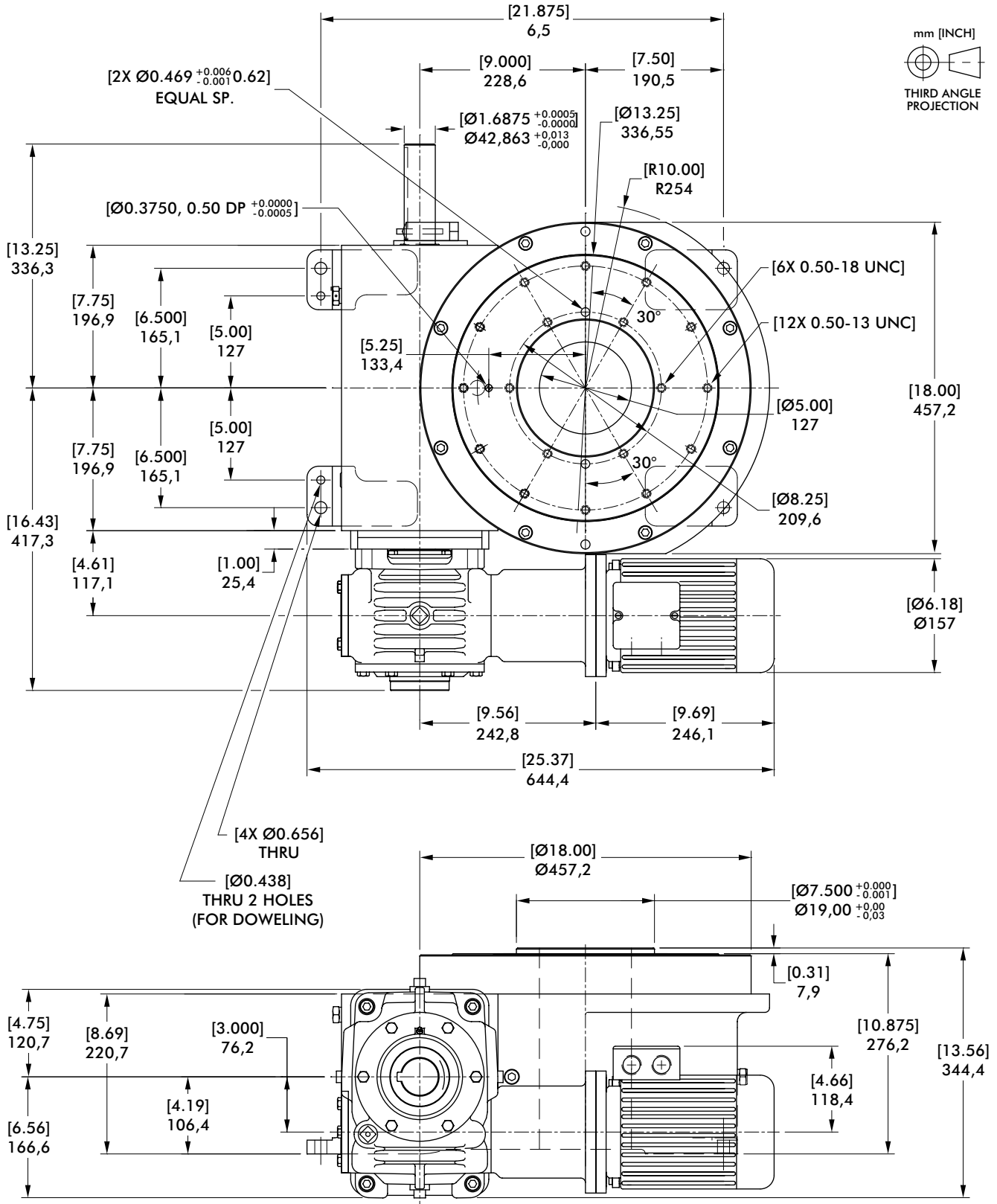
Repeatability ±5 arcsec / ±0,020 mm [±.0008in] at 762 mm [30in] Radius



Unless otherwise noted, all dimensions are in mm.

1305RDM SERIES

Rotary Index Drive | Dimensions



Maximum Inertia x 1000 kg-cm ² [lb-in ²] for standard package							
Stops	Motion Time [seconds]						
	0.458	0.611	0.764	0.917	1.222	1.528	1.833
2	0 [0]	12 [4]	38 [13]	76 [26]	140 [48]	214 [73]	298 [102]
3	6 [2]	32 [11]	76 [26]	146 [50]	258 [88]	389 [133]	538 [184]
4	29 [10]	94 [32]	208 [71]	380 [130]	664 [227]	995 [340]	1367 [467]
6	73 [25]	211 [72]	451 [154]	822 [281]	1419 [485]	2119 [724]	2909 [994]
8	138 [47]	383 [131]	811 [277]	1469 [502]	2528 [864]	3775 [1290]	5180 [1770]
12	325 [111]	878 [300]	1841 [629]	3319 [1134]	5706 [1950]	8510 [2908]	11670 [3988]
16	585 [200]	1571 [537]	3280 [1121]	5908 [2019]	10155 [3470]	15138 [5173]	20754 [7092]
Reducer Ratio							
	15	20	25	30	40	50	60

Other Motions (stops and index periods) available. Contact your DESTACO sales representative for more information.

Features

- 7300C Reducer (Ratios from 15:1 to 60:1)
- Double Extended Camshaft (Input Shaft)
- Center Thru Hole (5.00 in. Diameter)
- 2 HP AC Drive Package with Inverter Duty Motor and Inverter Drive (up to 60 cpm)
- Cycle Cam and Limit Switch Mounted to Camshaft
- Right Hand Cam

Optional Accessories

- 2 hp DC Motor
- Varipak DC Motor Control (up to 30 cpm)
- 7350C Heavy Duty Reducer (Ratios from 10:1 to 60:1)
- Output Overload Clutch model 32D
 - Available Settings (in-lbs): 8500, 13000, 20000, 31000
- Stationary Center Post
- Dual Cam and Limit Switch
- Base Riser Blocks
- Electric Clutch-Brake
- Left Hand Cam
- Relief in Dwell for shot-pin applications

Output Load Capacity (loads carried during index):

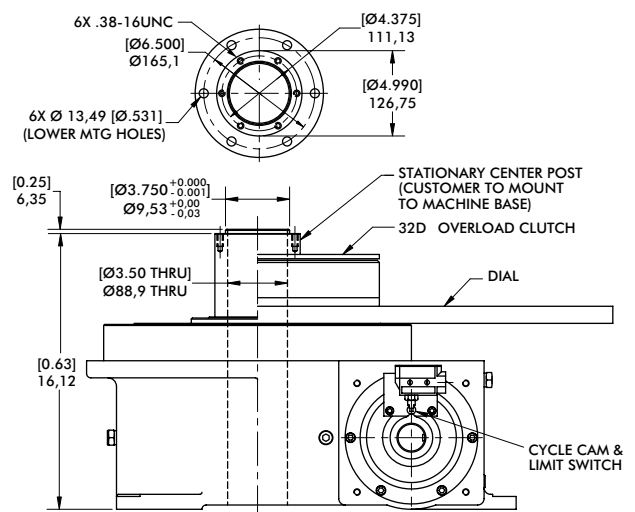
Radial	20684 N [4650 lbs]
Thrust/Axial	51822 N [11650 lbs]
Moment	4579 N-m [40528 in-lb]

Typical Application

Dial Diameter: 508 mm [20 in] to 1829 mm [72 in]

Accuracy ±38 arcsec / ±0,18 mm [±.007in] at 914,4 mm [36in] Radius

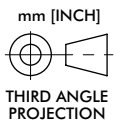
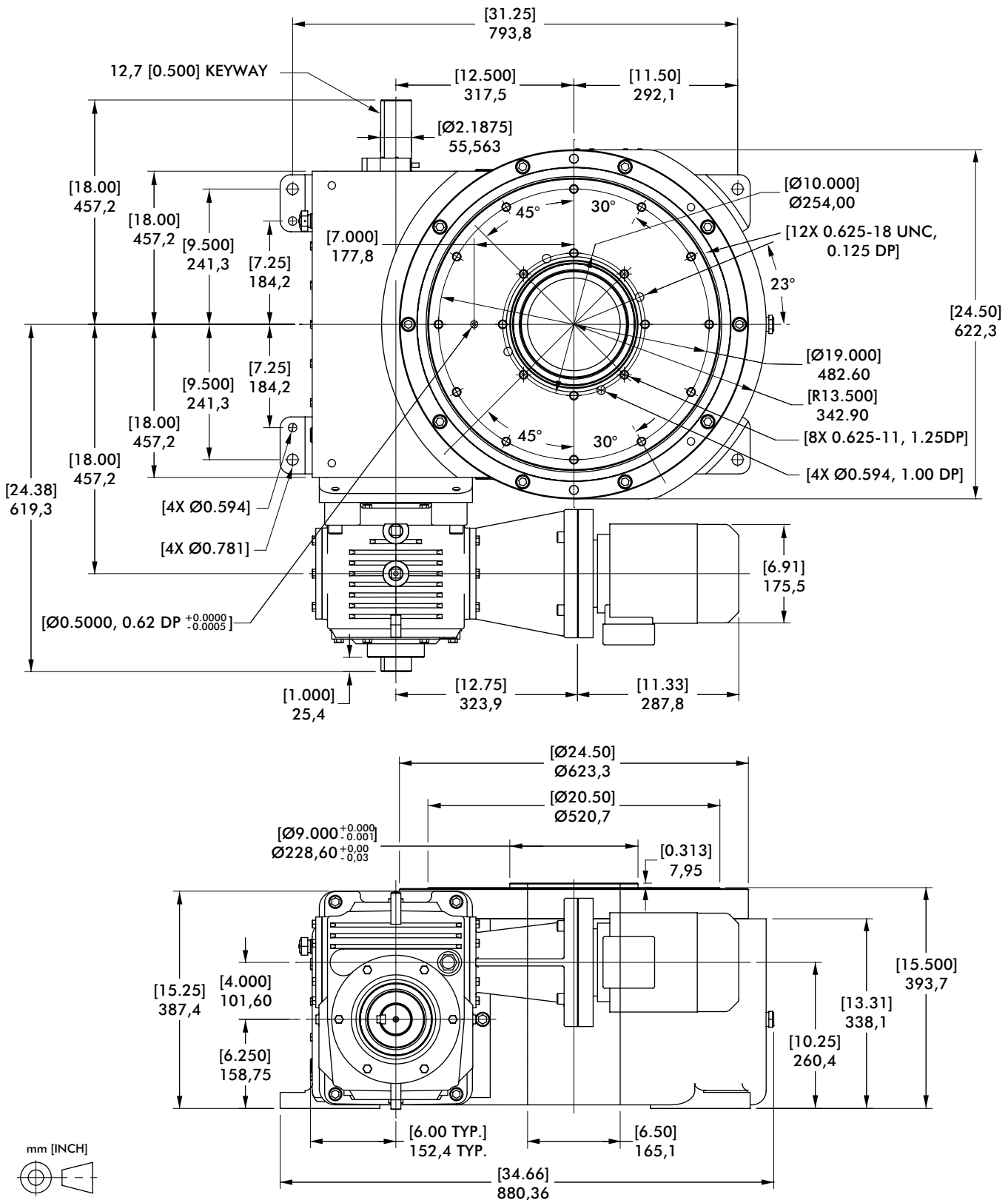
Repeatability ±10 arcsec / ±0,05 mm [±.002in] at 914,4 mm [36in] Radius



Unless otherwise noted, all dimensions are in inches.

180ORDM SERIES

Rotary Index Drive | Dimensions



Maximum Inertia x 1000 kg-cm ² [lb-in ²] for standard package							
Stops	Motion Time [seconds]						
	0.458	0.611	0.764	0.917	1.222	1.528	1.833
2	0 [0]	0 [0]	23 [8]	79 [27]	266 [91]	533 [182]	749 [256]
3	0 [0]	32 [11]	120 [41]	255 [87]	720 [246]	1381 [472]	1917 [655]
4	3 [1]	91 [31]	249 [85]	495 [169]	1332 [455]	2523 [862]	3488 [1192]
6	56 [19]	243 [83]	577 [197]	1097 [375]	2871 [981]	5390 [1842]	7439 [2542]
8	132 [45]	462 [158]	1056 [361]	1984 [678]	5133 [1754]	9616 [3286]	13257 [4530]
12	351 [120]	1100 [376]	2435 [832]	4518 [1544]	11606 [3966]	21690 [7412]	29881 [10211]
16	656 [224]	1987 [679]	4360 [1490]	8065 [2756]	20666 [7062]	38593 [13188]	53152 [18163]
Reducer Ratio							
	15	20	25	30	40	50	60

Other Motions (stops and index periods) available. Contact your DESTACO sales representative for more information.

Features

- 7400C Reducer (Ratios from 15:1 to 60:1)
- Double Extended Camshaft (Input Shaft)
- Center Thru Hole (6.50 in. Diameter)
- 2 or 3 HP AC Drive Package with Inverter Duty Motor and Inverter Drive (up to 60 cpm)
- Cycle Cam and Limit Switch Mounted to Camshaft
- Right Hand Cam

Optional Accessories

- 2 hp DC Motor with Varipak DC Motor Control (up to 30 cpm)
- 3 hp DC Motor
- 7500C Heavy Duty Reducer (Ratios from 10:1 to 60:1)
- Output Overload Clutch model 61D – Available Settings (in-lbs): 23000, 36000, 44000, 50000, 60000
- Stationary Center Post
- Dual Cam and Limit Switch
- Base Riser Blocks
- Electric Clutch-Brake
- Left Hand Cam
- Relief in Dwell for shot-pin applications

Output Load Capacity (loads carried during index):

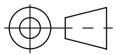
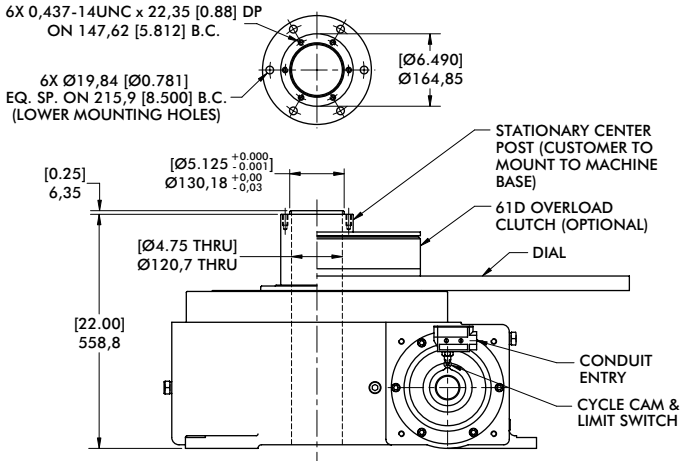
Radial	26022 N [5850 lbs]
Thrust/Axial	61166 N [14650 lbs]
Moment	7696 N-m [68119 in-lb]

Typical Application

Dial Diameter: 660 mm [26 in] to 1829 mm [96 in]

Accuracy ±27 arcsec / ±0,15 mm [±.006in] at 1219,2 mm [48in] Radius

Repeatability ±7 arcsec / ±0,041 mm [±.0016in] at 1219,2 mm [48in] Radius



Unless otherwise noted, all dimensions are in inches.