

ARV AND VSA SERIES VENTURIES

Vacuum Products | Features and Specifications

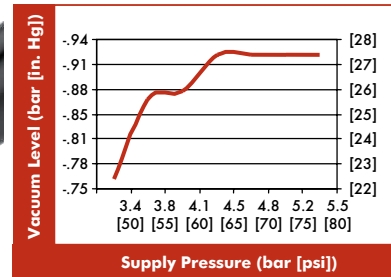
ARV® Series Auto-Release Venturi Cup Mount

Requiring (1) air line, (1) valve:

Offers integrated automatic quick panel release and exhaust silencer in one part. Mounting options include right or left hand apple core mounting or no apple core mount for use with DESTACO's spring cup mounts. The ARV® Series is also available in a block style for remote mounting and each mount can be ordered with Imperial or Metric ports.



ARV® Performance:



Specifications @ 4 bar [60psi]:

Speed to Vacuum: 0.2-0.3 seconds
 Speed to Release: 0.02 seconds
 Air Consumption:
 Vacuum: 40 l/m [1.4 scfm]
 Blow-off: 0
 Noise Level (at one meter): 68dBA
 Material: Aluminum

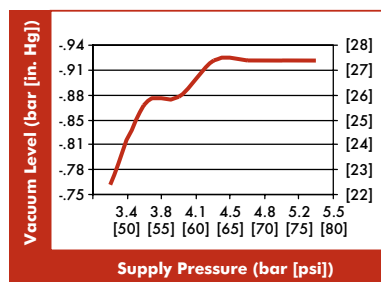
VSA Series Venturi Cup Mount



Blow-off typically requires two air lines and multiple valves. The VSA series offers a low-profile version as shown. Additional options include silencer and sensor port options. Mounting threads can also be ordered in Imperial or Metric ports.

We also offers PA Series cup mounts.

VSA Performance:



Specifications @ 4 bar [60psi]:

Speed to Vacuum: .36 seconds
 Speed to Release: 0.08 seconds
 Air Consumption:
 Vacuum: 40 l/m [1.4 scfm]
 Blow-off: 2.6 liters [0.09 ft³]
 (156 l/m [5.5scfm] @ 1 sec. duration)
 Noise Level (At one meter):
 Inline to exhaust: 76dBA
 Inline to exhaust with Silencer: 68dBA
 Material: Aluminum

Dimensions and technical information are subject to change without notice

ARV SERIES VENTURIES

Vacuum Products | Dimensions | Ordering Information



Left Hand Apple Core
CPI-VSA-ARVL-750-(X)
114g [0.25lb]



Right Hand Apple Core
CPI-VSA-ARVR-750-(X)
114g [0.25lb]



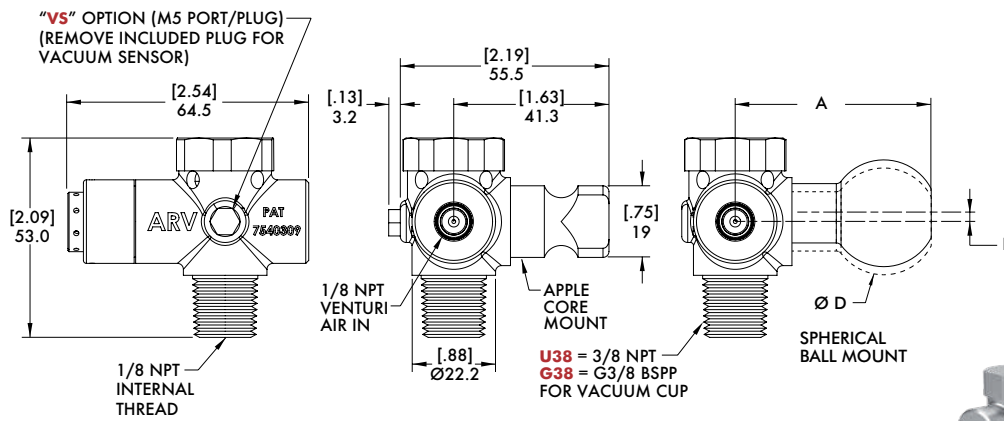
Without Apple Core
CPI-VSA-ARVR-000-(X)
86g [0.19lb]



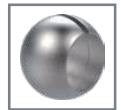
RH/LH Spherical Ball
CPI-VSA-ARV(R/L)-B112-(X)
CPI-VSA-ARV(R/L)-B32-(X)



(X)
Mounting
Thread
U38 = 3/8" NPT Male
G38 = 3/8" G Male



Vacuum Sensor
Option
Add "-VS" to
end of "ARV"
order code



US Patents #7,540,309 - 7,681,603 - 7,950,422

Model Number	A	B	ØD	Weight
CPI-VSA-ARV(R/L)-B112-(X)	[1.85] 47.1	0	[1.13] 28.5	[0.28 lb] 126g
CPI-VSA-ARV(R/L)-B32-(X)	[1.93] 49	[0.12] 3.2	[1.26] 32	[0.30 lb] 134g

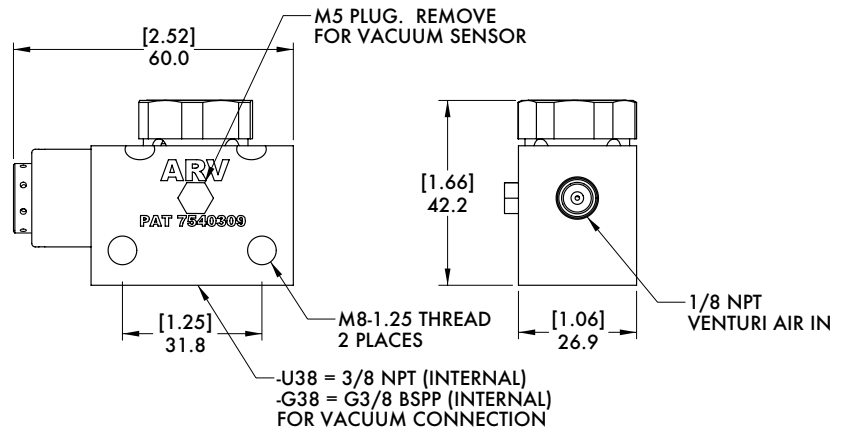
B112-01
28.58mm ball only
B112-32-01
32mm ball only

Venturi Style Vacuum Generator Cup Mounts ARV® Block Style Dimensions and Ordering Information



Block Style
CPI-VSA-ARVR-312-(X)
(X) = Vacuum Port Thread
U38 = 3/8" NPT Female
G38 = 3/8" G Female

Weight
104g [0.23lb]



Dimensions and technical information are subject to change without notice