



85P5-1

Pneumatic Pin Package | Single Shaft | Ordering Information


<p>85P5-1 04 B8 E1 H 0 -K</p>	<p>Plunger Description K Ceramic Coated Plunger</p> <p>Stroke Description 0 without Stroke Limiter</p>
<p>Piston Rod Description</p> <p>02 Ø16 mm M6 Threaded Inside Hole, Cross Groove</p> <p>04 NAAMS Standard</p> <p>A4 NAAMS Standard Rotated 180°</p> <p>05 Ø10 mm Inside Hole, Cross Groove</p>	<p>Accessories Description</p> <p>00 No Accessories</p> <p>E1* External Guide (82ZB-010-2) *External Guide can be mounted to front or sides of unit by customer.</p>
<p>Hand Lever Description</p> <p>0 No Hand Lever</p> <p>H Hand Lever *Hand Lever can be attached on either side of unit.</p>	<p>Sensor Description</p> <p>00 Without Sensing System</p> <p>B8 Inductive Sensing System with M12x1 Cable Connector (8EA-033-2)</p>




02




04




A4




05




E1



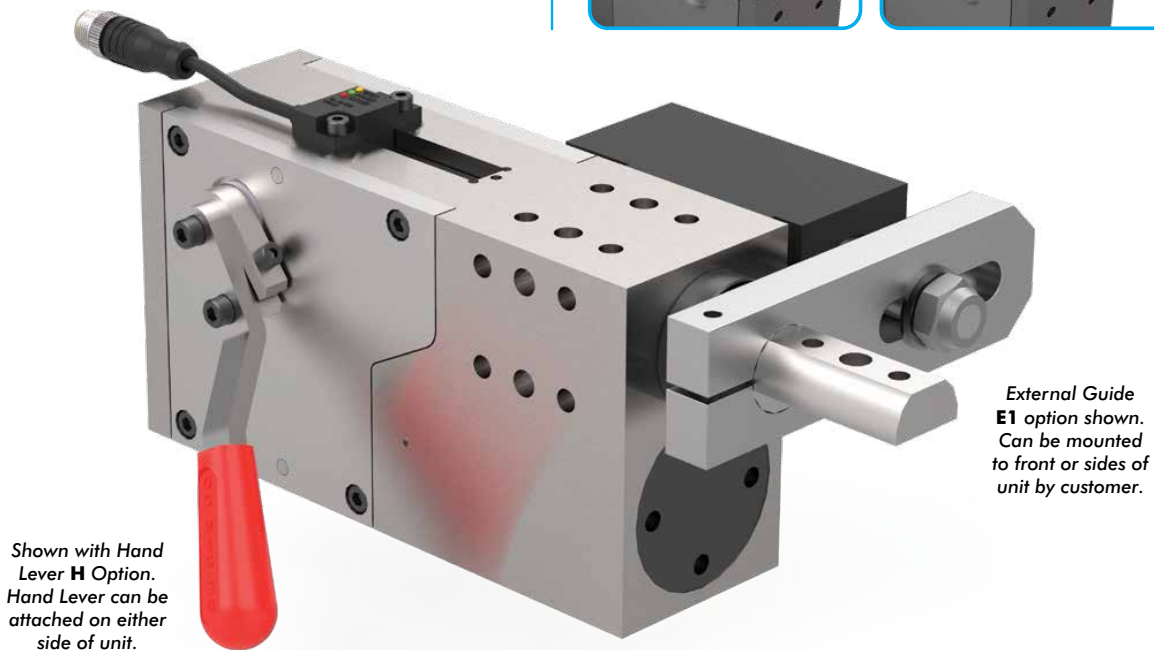
H



00



B8

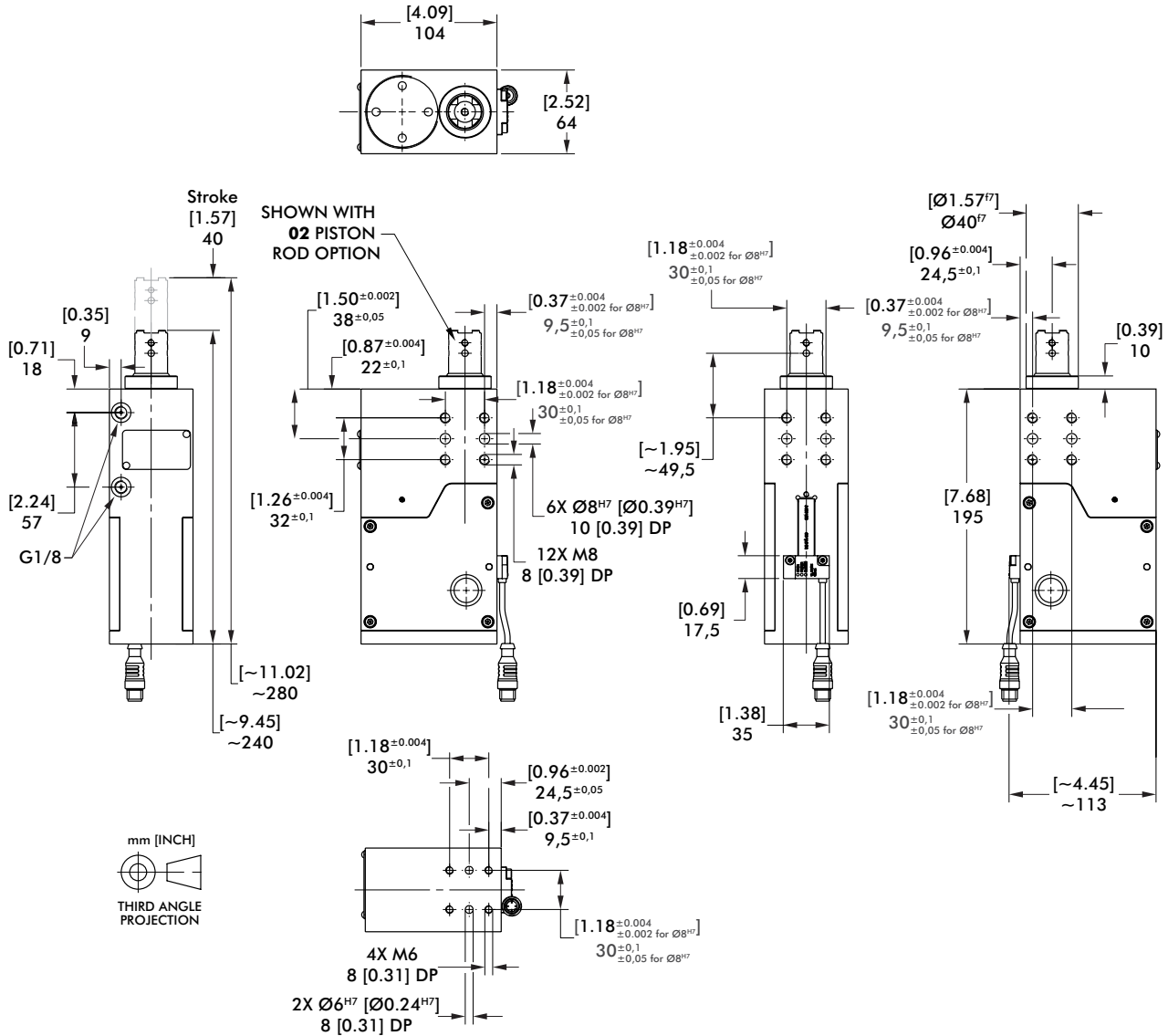


Shown with Hand Lever **H** Option. Hand Lever can be attached on either side of unit.

External Guide **E1** option shown. Can be mounted to front or sides of unit by customer.

85P5-1

Pneumatic Pin Package | Single Shaft | Dimensions and Technical Specifications



Medium: Operation with oil free air is permissible

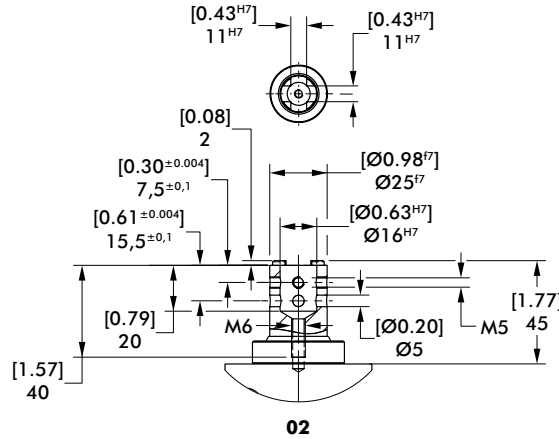
Note: Extracting force and retracting force shown in this chart are only available with the last 2 mm stroke at extracted position. In the other range of the stroke the forces will be approximately 30% of value in the chart.

Base Model	Stroke mm [in]	Pushing Force at 6 bar N [lbf]	Retraction Force at 6 bar N [lbf]	Holding Force at 6 bar N [lbf]	Max. Operating Pressure bar [psi]	Piston Ø mm [in]	Weight Kg [lbs]	Air consumption per double stroke at 5 bar dm ³ [ft ³]
85P5-1	40 [1.57]	2000 [449]	1000 [225]	5000 [1124]	6 [87]	50 [1.97]	3,8 [8.36]	1,1 [0.04]

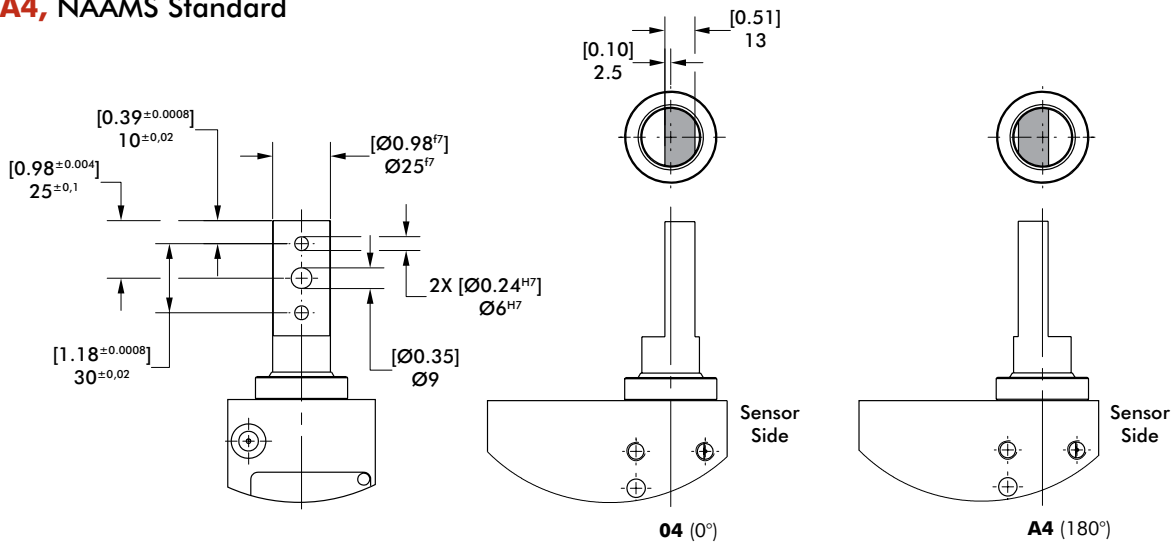
85P5-1 PISTON RODS

Pneumatic Pin Package | Single Shaft | Dimensions and Technical Specifications

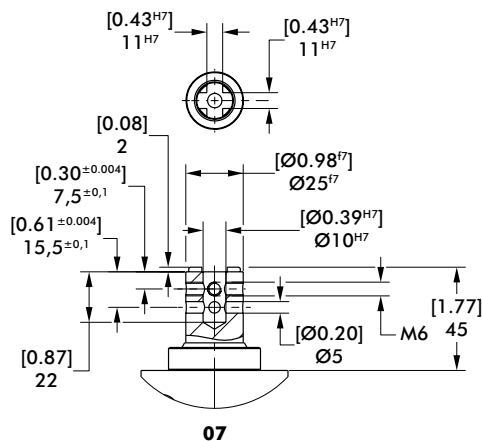
02 Ø16 mm M6 Threaded Inside Hole, Cross Groove



04, A4, NAAMS Standard



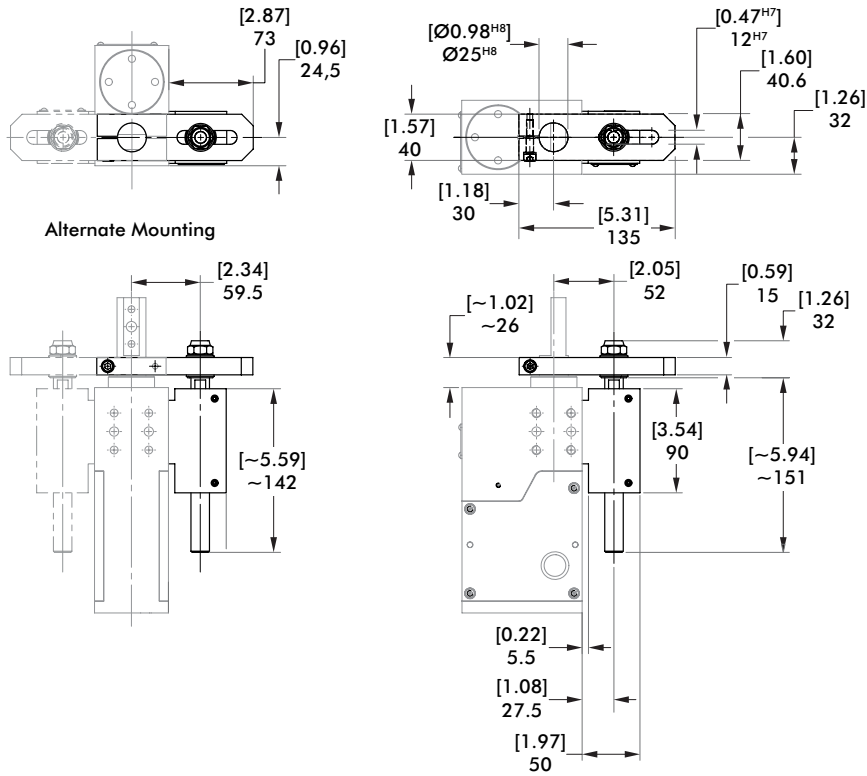
07 Ø16 mm Inside Hole, NAAMS



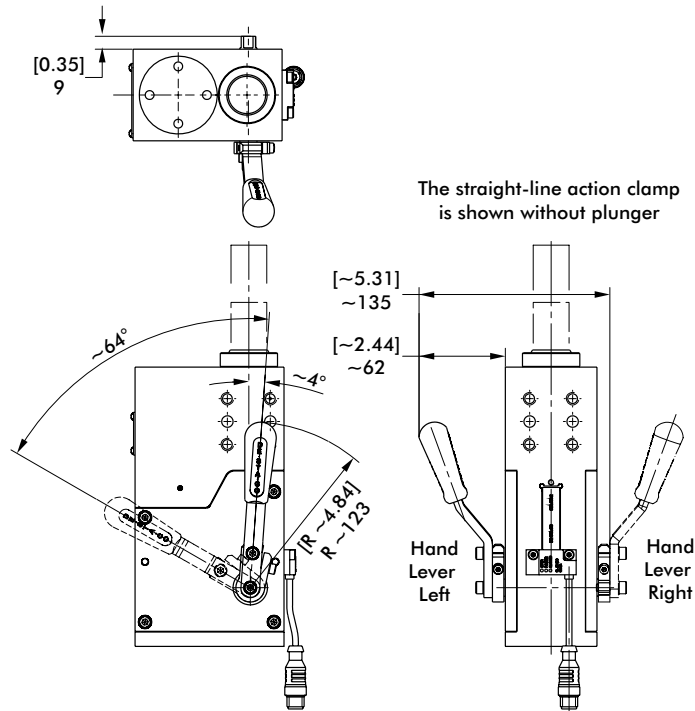
85P5-1 OPTIONS

Pneumatic Pin Package | Single Shaft | Dimensions and Technical Specifications

E1 External Guide



H Hand Lever



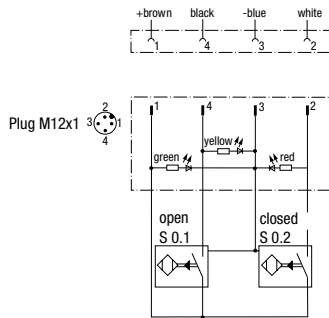
Model no.	Weight kg [lb]
85P5-1****00H0	4 [8.82]

85P5-1

Pneumatic Pin Package | Single Shaft | Dimensions and Technical Specifications

Inductive Sensor Wiring Diagram

Sensing system immune to interference from A.C./D.C. arc welding.

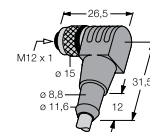


Sensor Accessories and Spare Parts

Description	Order no.
Sensor Cables (1 connector & 5 m cable)	
M12x1 connector, straight, 5-pin	8EL-002-1
M12x1 connector, 90° angular, 4-pin	8EL-003-1
Spare Parts	
Cylinder	8PW-105-1
Cylinder Seal Kit	8PW-105-1-00



Straight Cable



Angular Cable