

## KM

### Kunststoff- Muldengriff KM

**Werkstoff und Oberfläche:**  
Polyamid PA 6, glaskugelve-  
stärkt, mit Feinstruktur im  
Sichtbereich, im Farbton ähnlich  
RAL 9002 grauweiß.

**Tragkraft:**  
min. 500 N.

### Plastic Trough-Inset Handle KM

**Material and surface:**  
Polyamide PA 6, glass ball rein-  
forced, fine structure in visible  
surfaces, colour shade similar  
to RAL 9002 grey white.

**Stress resistance:**  
min. 500 N.





**KM**

## Plastic Trough Inset Handle KM

These ergonomically formed trough inset handles are suitable for different wall thicknesses. A stable fitting of the handle is guaranteed at all time.

### Design features:

Simple and secure screw mounting for wall thicknesses from 1-5 mm.

### Material and surface:

Polyamide PA 6, glass ball reinforced, half-matt with fine structure on visible surface, in 4 different colour versions.

### Mounting:

#### Type KM-48

The front section will be set into the recess of the housing wall first. Now the rear section can be pushed onto the front section, which is projected into the housing interior. Afterwards the handle will be fixed in position by three screws.

#### Type KM-61

The handle will be set into the recess of the housing wall and fixed front sided with 2 countersunk screws, not included in scope of delivery.

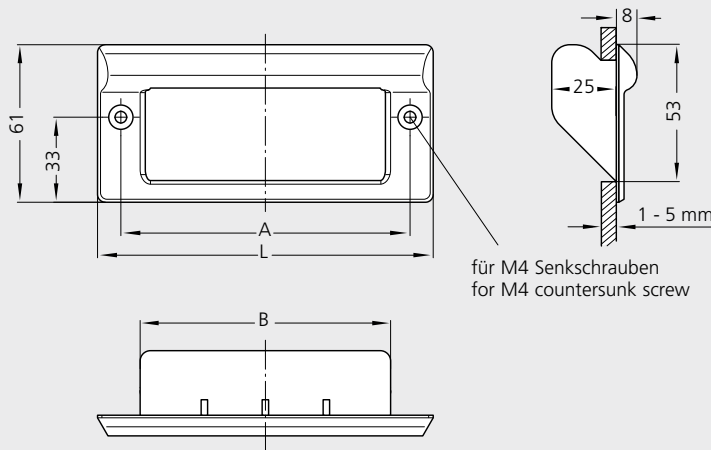
### Stress resistance:

min. 1.000 N.

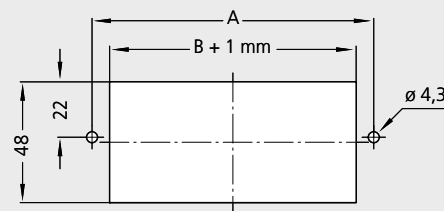
### Scope of delivery:

Type KM-48 includes galvanized Phillips recess raised cheese head screw DIN 7985.

Typ KM-61



Montageöffnung  
Mounting cutout



A	L	B	Ausführung Version	Bestell-Nr. Order no.
82	100	67	steingrau stone grey	KM-61.082.7030
			lichtgrau light grey	KM-61.082.7035
			grauweiß grey white	KM-61.082.9002
			schwarz black	KM-61.082.9005
112	130	97	steingrau stone grey	KM-61.112.7030
			lichtgrau light grey	KM-61.112.7035
			grauweiß grey white	KM-61.112.9002
			schwarz black	KM-61.112.9005