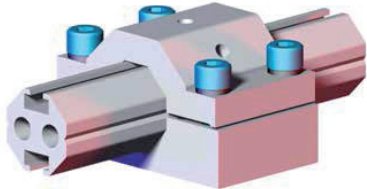




BodyBuilder™ Octagonal Tooling | Dimensions | Technical Specifications

TPM-30 30mm Accessory Mounting Bracket



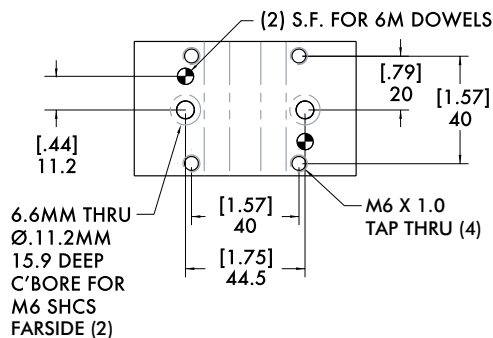
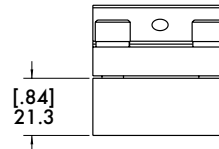
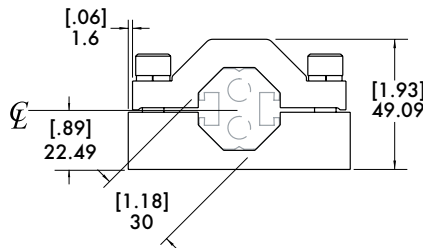
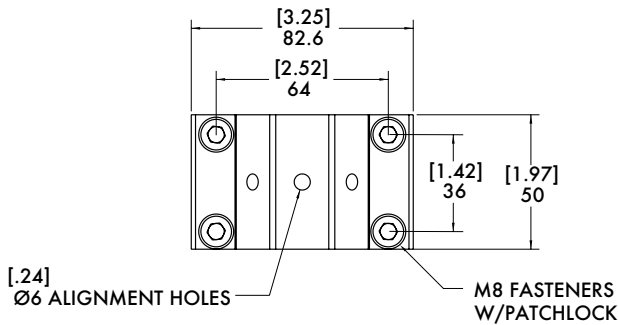
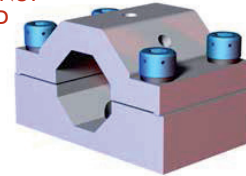
Specifications:

Max. Static Clamp Load:
271 Nm [200 ft-lb]
Material: Aluminum

Features:

- Provides a secure attachment point for clamps and pin locators.

ALIGNMENT NUT INCLUDED



| Model Number | Weight |
|--------------|-----------------|
| TPM-30 | .36 kg [.80 lb] |

Dimensions and technical information are subject to change without notice



BodyBuilder™ Octagonal Tooling | Dimensions | Technical Specifications

TPM(S)-45 45mm Accessory Mounting Bracket

Features:

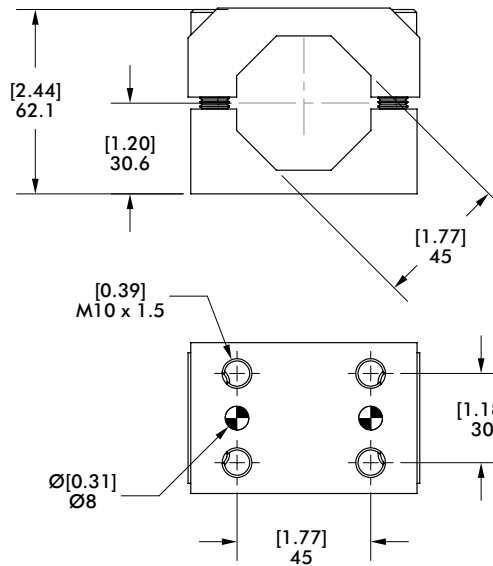
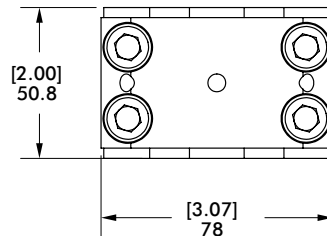
- Provides a secure attachment point for clamps and pin locators.
- Standard NAAMS mounting patterns.

Specifications:

Max. Static Clamp Load:
475 Nm [350 ft-lb]
Material:
TPMS-45: Steel
TPM-45: Aluminum



ALIGNMENT NUT INCLUDED



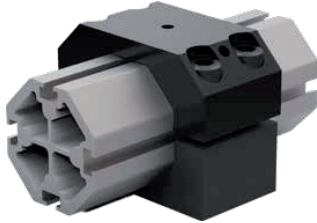
| Model Number | Weight |
|--------------------------|-------------------|
| TPM-45 (Aluminum) | .48 kg [1.28 lb] |
| TPMS-45 (Steel) | 1.10 kg [2.90 lb] |

Dimensions and technical information are subject to change without notice



BodyBuilder™ Octagonal Tooling | Dimensions | Technical Specifications

TPMS-60 60mm Accessory Mounting Bracket.



Specifications:

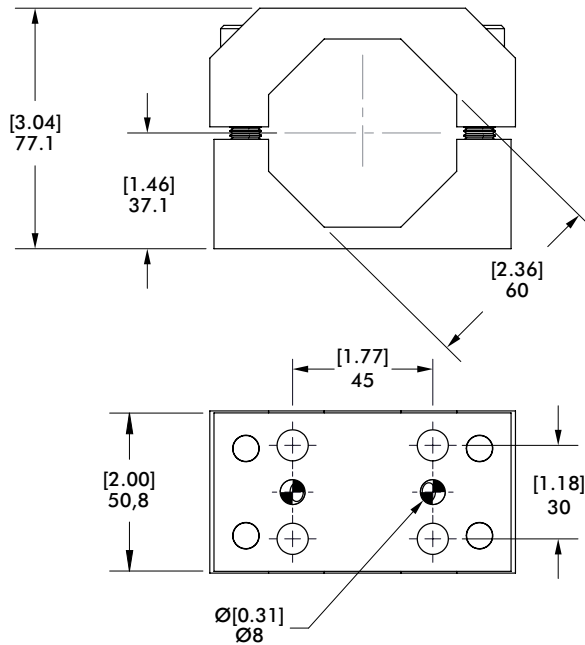
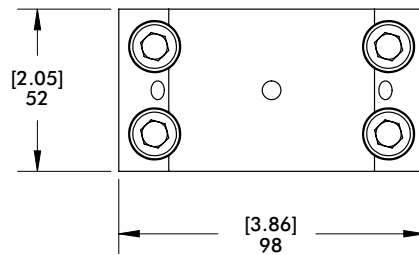
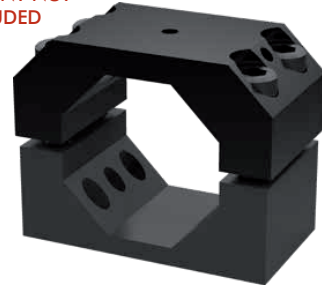
Max. Static Clamp Load:
746 Nm [550 ft-lb]

Material: Steel

Features:

- Provides a secure attachment point for clamps and pin locators.
- Standard NAAMS mounting patterns.

ALIGNMENT NUT INCLUDED



| Model Number | Weight |
|----------------|------------------|
| TPMS-60 | 1.3 kg [2.90 lb] |

Dimensions and technical information are subject to change without notice



BodyBuilder™ Octagonal Tooling | Dimensions | Technical Specifications

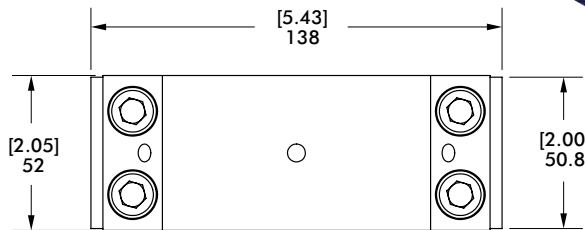
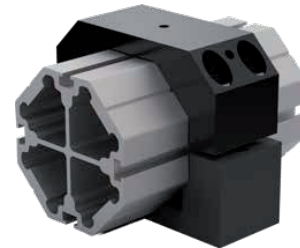
TPMS-90 90mm Accessory Mounting Bracket

Features:

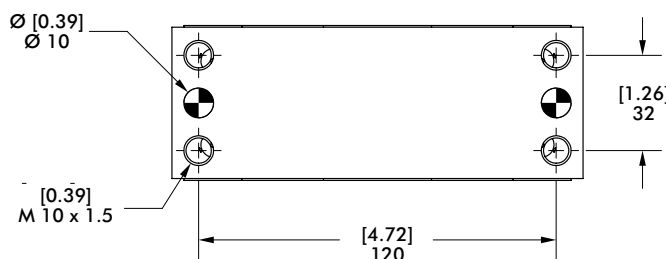
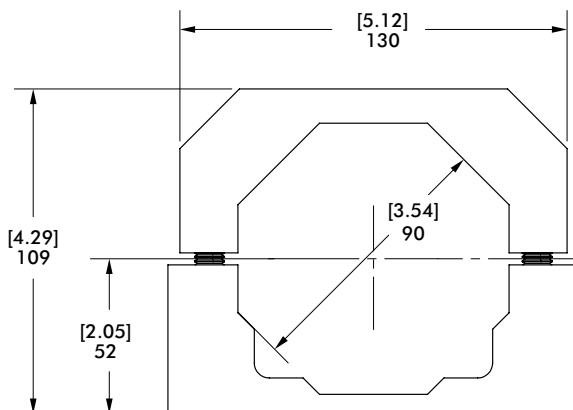
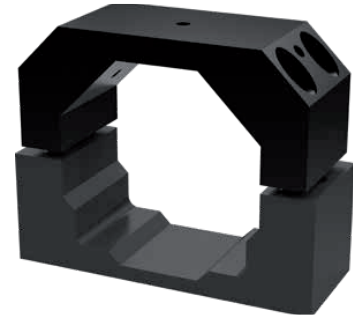
- Provides a secure attachment point for clamps and pin locators.

Specifications:

Max. Static Clamp Load:
746 Nm [550 ft-lb]
Material: Steel



ALIGNMENT NUT INCLUDED



| Model Number | Weight |
|--------------|-----------------|
| TPMS-90 | 1.93kg [4.25lb] |

Dimensions and technical information are subject to change without notice