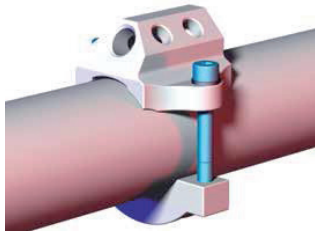


MANIFOLDS

Vacuum Products | Dimensions | Technical Specifications

MBC/MLK Boom Mounted Single 4-Port - 30° Angled Input Port

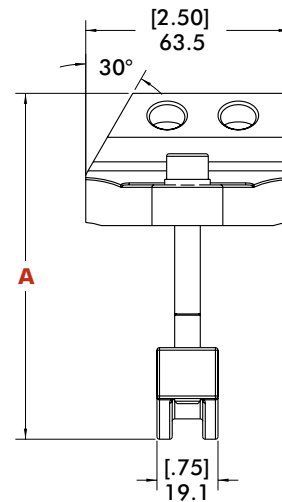
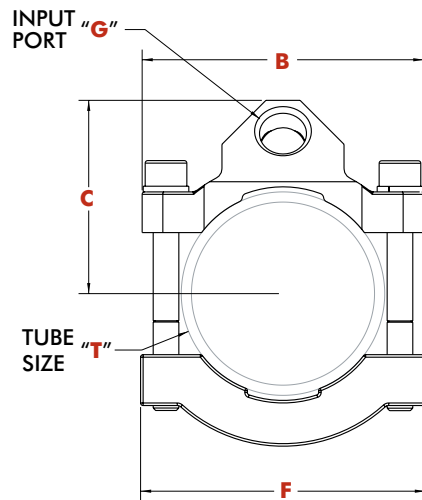
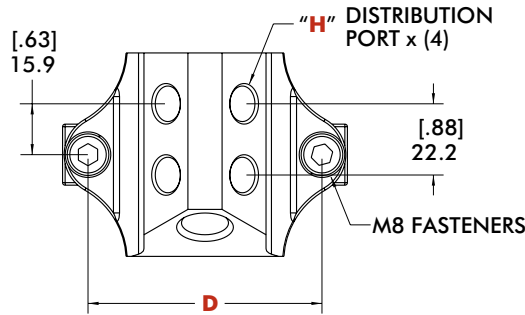


Features:

- 30° Angled input port.
- Provides a 4-port air distribution system mount on the boom.

Specifications:

Material: Aluminum



MBC/MLK Dimensions

Model	A	B	C	D	F	G	H	T	Weight
CPI-MLK-60-G44-30	108.0	87.9	60.3	73	88.9	3/8 G	1/4 G	Ø60MM	340g
[CPI-MBC-250-4-4-30]	[4.25]	[3.46]	[2.38]	[2.88]	[3.50]	[3/8 NPT]	[1/4 NPT]	[Ø2.50"]	[12 oz]

Dimensions and technical information are subject to change without notice

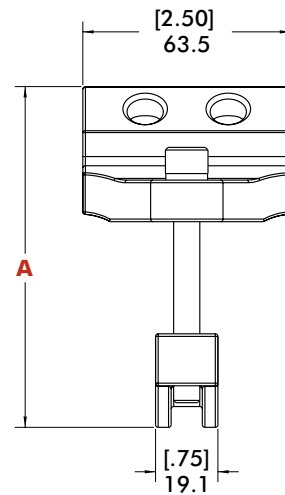
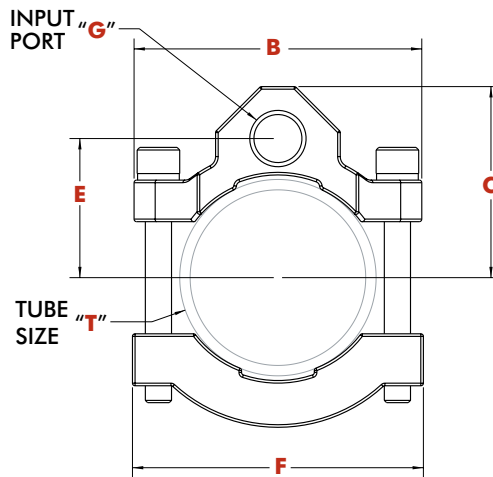
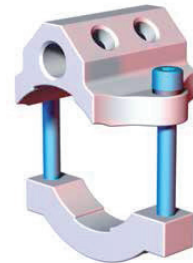
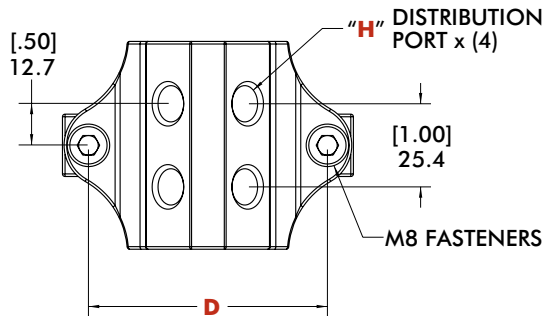
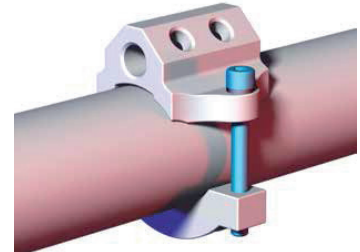
MANIFOLDS

Vacuum Products | Dimensions | Technical Specifications

MBC/MLK Boom Mounted Single 4-Port

Specifications:
 Material: Aluminum

- Features:**
- Provides a 4-port air distribution system mount on the boom.
 - Available in two sizes to allow clamping to Ø40mm [Ø1.50"] and Ø60mm [Ø2.50"] materials.



MBC/MLK Dimensions

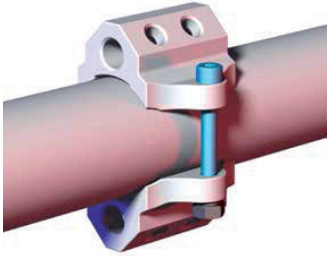
Model	A	B	C	D	E	F	G	H	T	Weight
CPI-MLK-40-G44 [CPI-MBC-150-4-4]	88.9 [3.50]	64.3 [2.53]	52.5 [2.07]	48.5 [1.91]	36.7 [1.44]	64.3 [2.53]	12.9 [.51]	114.5 [4.51]	Ø40MM [Ø1.50"]	283g [10 oz]
CPI-MLK-60-G44 [CPI-MBC-250-4-4]	104.1 [4.10]	87.9 [3.46]	58.4 [2.30]	73 [2.88]	42.5 [1.67]	88.9 [3.50]	39.7 [1.56]	118.4 [4.65]	Ø60MM [Ø2.50"]	340g [12 oz]

Dimensions and technical information are subject to change without notice

MANIFOLDS

Vacuum Products | Dimensions | Technical Specifications

MBC/MLK Boom Mounted Double 8-Port

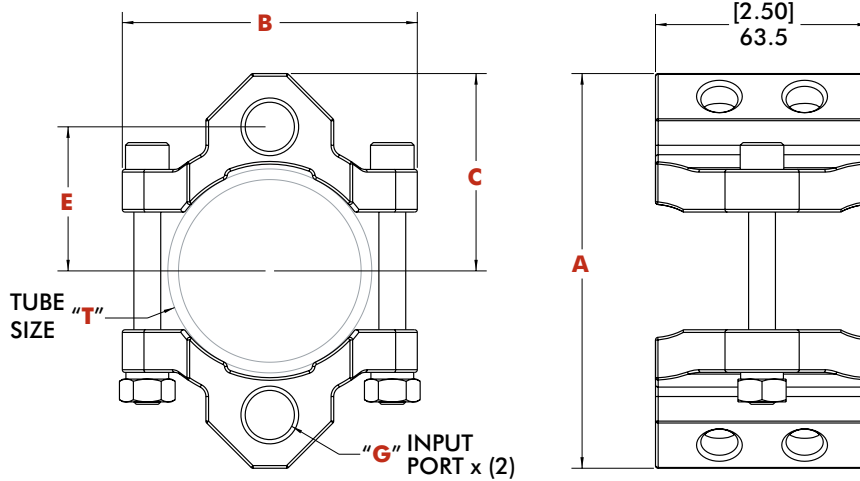
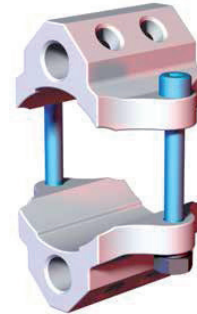
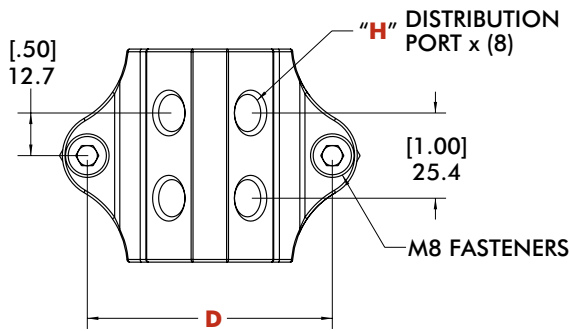


Features:

- Provides an 8-port (4 ports on top and bottom) air distribution system mount on the boom.
- Available in two sizes to allow clamping to Ø40mm [Ø1.50"] and Ø60mm [Ø2.50"] materials.

Specifications:

Material: Aluminum



MBC/MLK Dimensions

Model	A	B	C	D	E	G	H	T	Weight
CPI-MLK-40-G88 [CPI-MBC-150-8-8]	105.1 [4.14]	64.3 [2.53]	52.5 [2.07]	48.5 [1.91]	36.8 [1.45]	3/8 G [3/8 NPT]	1/4 G [1/4 NPT]	Ø40MM [Ø1.50"]	425g [16 oz]
CPI-MLK-60-G88 [CPI-MBC-250-8-8]	117.6 [4.63]	87.9 [3.46]	58.8 [2.32]	73.0 [2.88]	42.9 [1.69]	3/8 G [3/8 NPT]	1/4 G [1/4 NPT]	Ø60MM [Ø2.50"]	510g [18 oz]

Dimensions and technical information are subject to change without notice

MANIFOLDS

Vacuum Products | Dimensions | Technical Specifications

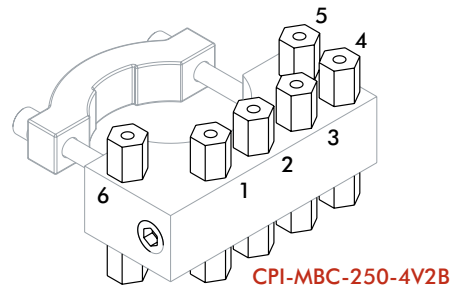
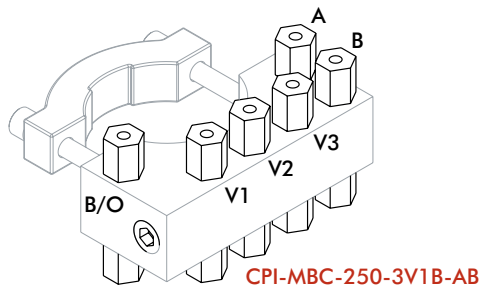
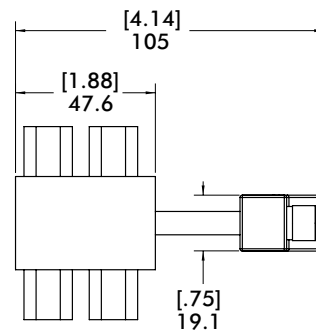
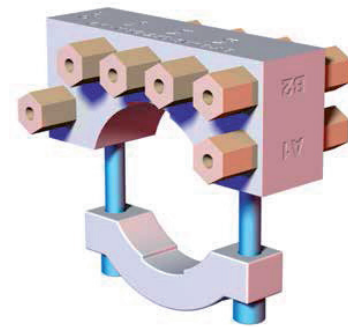
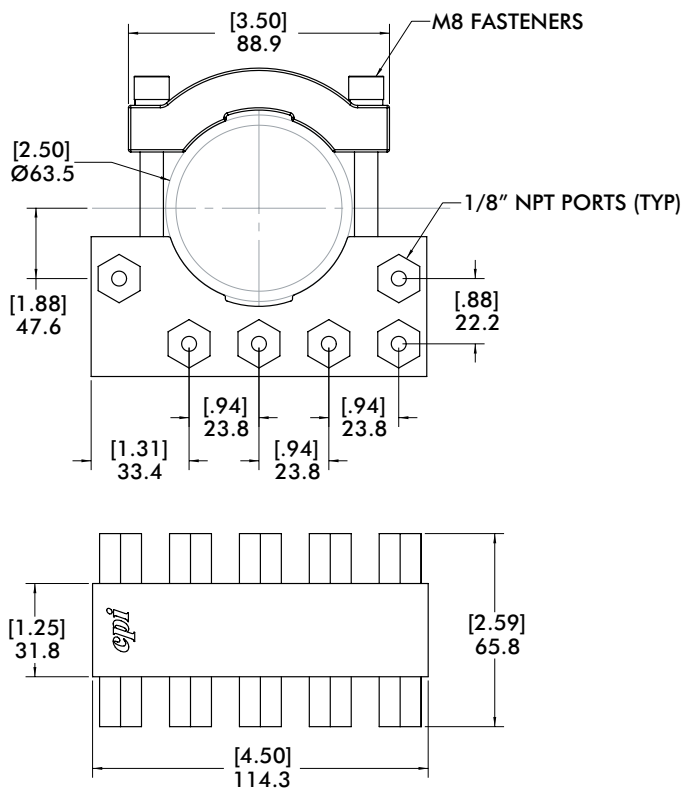
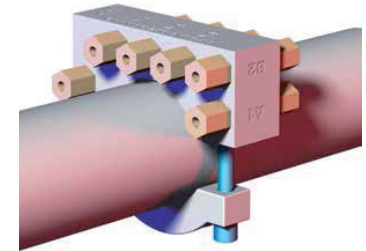
MBC Boom Mounted Single 6-Port

Specifications:

Material: Aluminum

Features:

- Provides a 6-port air distribution system mounted on the boom.
- Easy access.

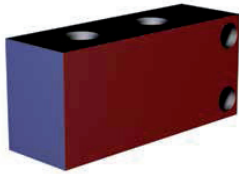


Dimensions and technical information are subject to change without notice

MANIFOLDS

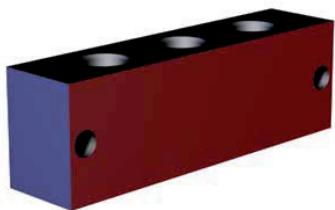
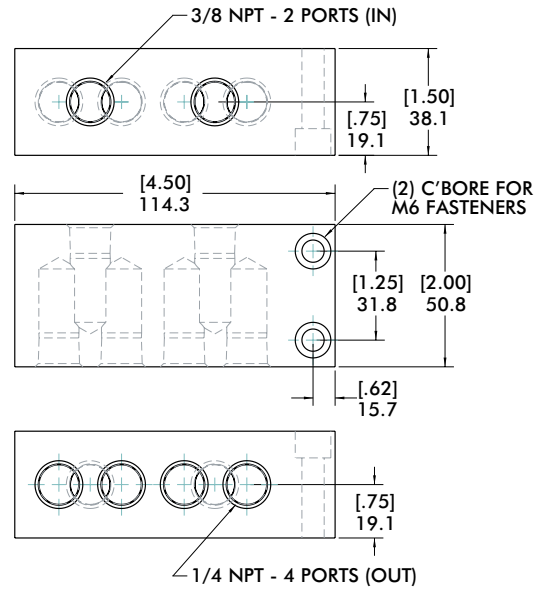
Vacuum Products | Dimensions | Technical Specifications

GDA/MBB Block Style for Remote Mounting



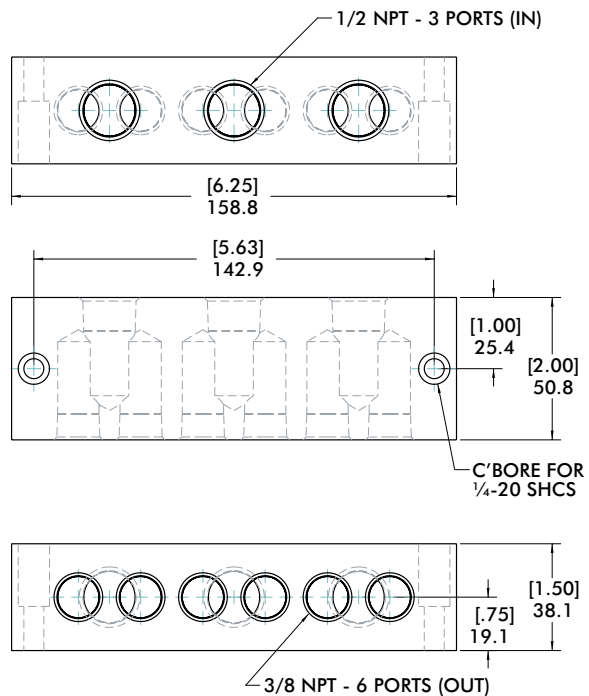
Material: Aluminum

Model	Weight
CPI-GDA-M24-37327	.23 kg [.56 lb]



Material: Aluminum

Model	Weight
CPI-MMB-4V2B-LG	.23 kg [.56 lb]

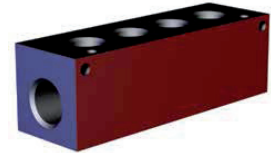
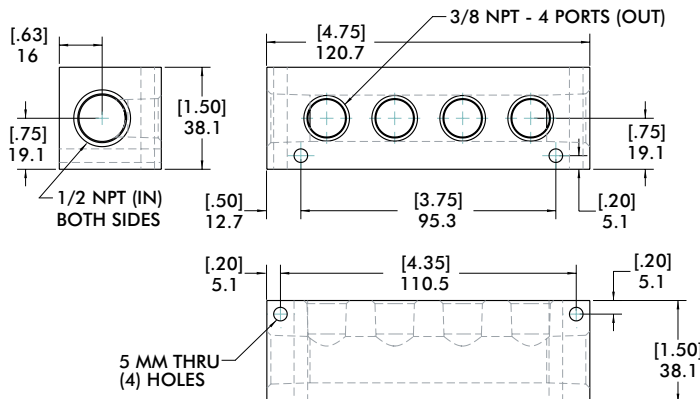


Dimensions and technical information are subject to change without notice

MANIFOLDS

Vacuum Products | Dimensions | Technical Specifications

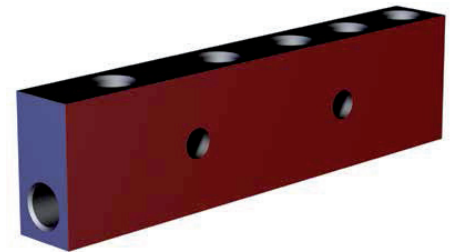
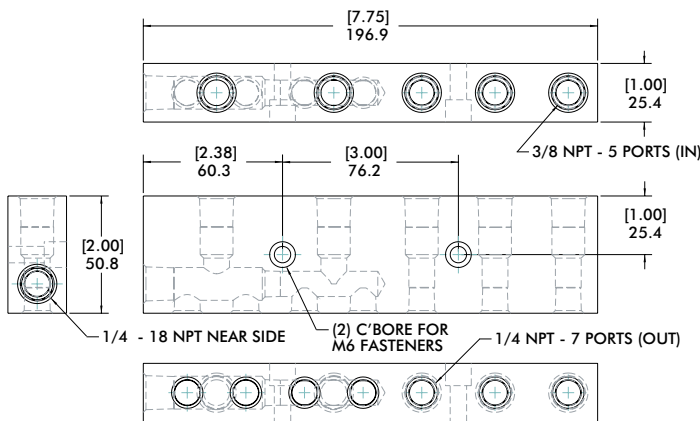
MMB Block Style or Remote Mounting



Material: Aluminum

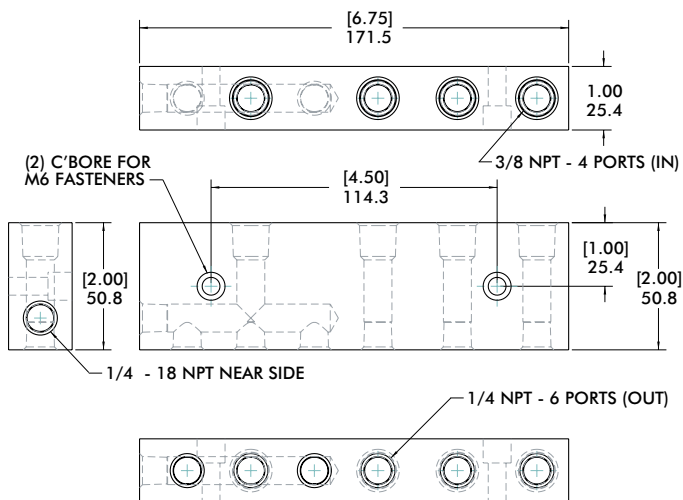
Model	Weight
CPI-MMB-4P	.23 kg [.56 lb]

MMB Block Style or Remote Mounting



Material: Aluminum

Model	Weight
CPI-MMB-4VSP-AB	.23 kg [.56 lb]



Material: Aluminum

Model	Weight
CPI-MMB-3V1B-AB	.23 kg [.56 lb]

Dimensions and technical information are subject to change without notice