



## BodyBuilder™ Octagonal Tooling | Dimensions | Technical Specifications

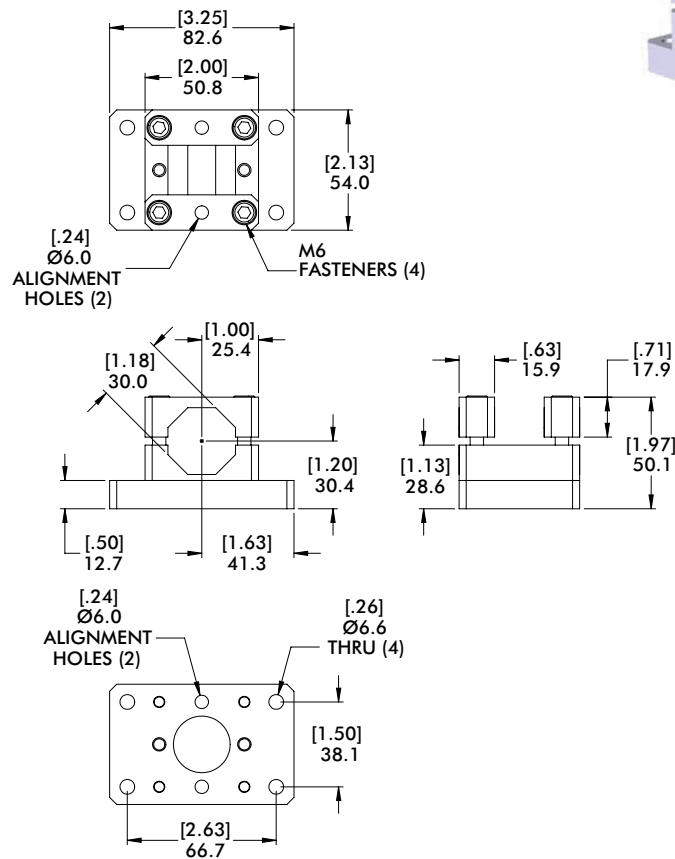
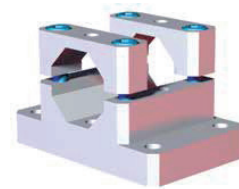
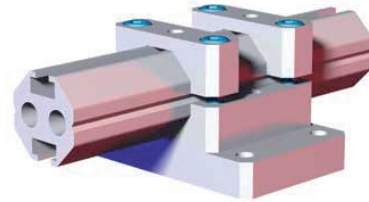
### CLM-30B-152F-90 30mm Mid Flange Clamp Mount

**Features:**

- Mounts 30mm extrusion parallel to the mounting surface.
- Can be used as robot interface when quick-change connector is not required.

**Specifications:**

**Max. Static Clamp Load:**  
102 Nm [75 ft-lb]  
**Material:** Cast Aluminum

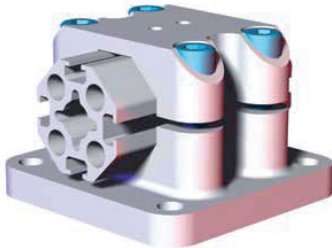


Model Number	Weight
CPI-CLM-30B-152F-90	0.28 kg [.61 lb]



## BodyBuilder™ Octagonal Tooling | Dimensions | Technical Specifications

### TBC-45 45mm Mid Flange Clamp Mount



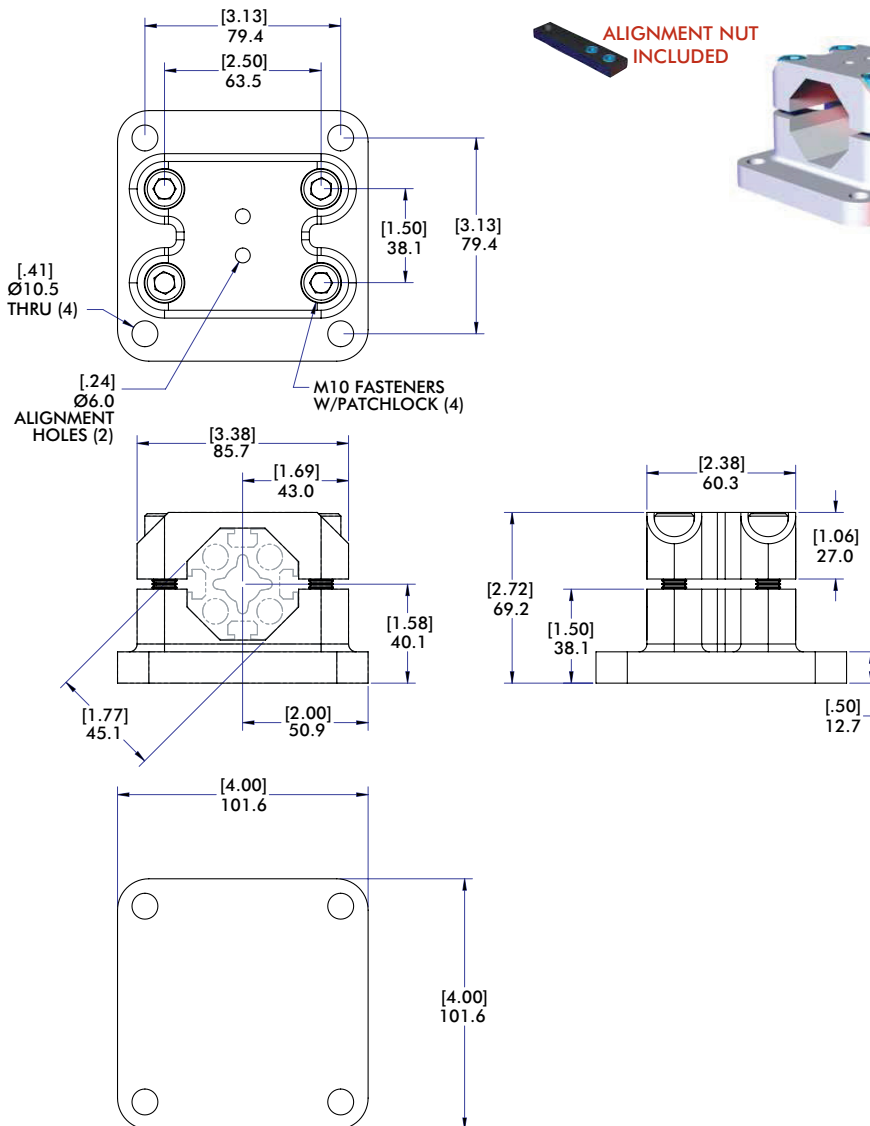
**Specifications:**

**Max. Static Clamp Load:**  
475 Nm [350 ft-lb]

**Material:** Aluminum

**Features:**

- Mounts 45mm extrusion parallel to the mounting surface.
- Can be used as robot interface when quick-change connector is not required.



Model Number	Weight
TBC-45-00	0.79 kg [1.74 lb]



## BodyBuilder™ Octagonal Tooling | Dimensions | Technical Specifications

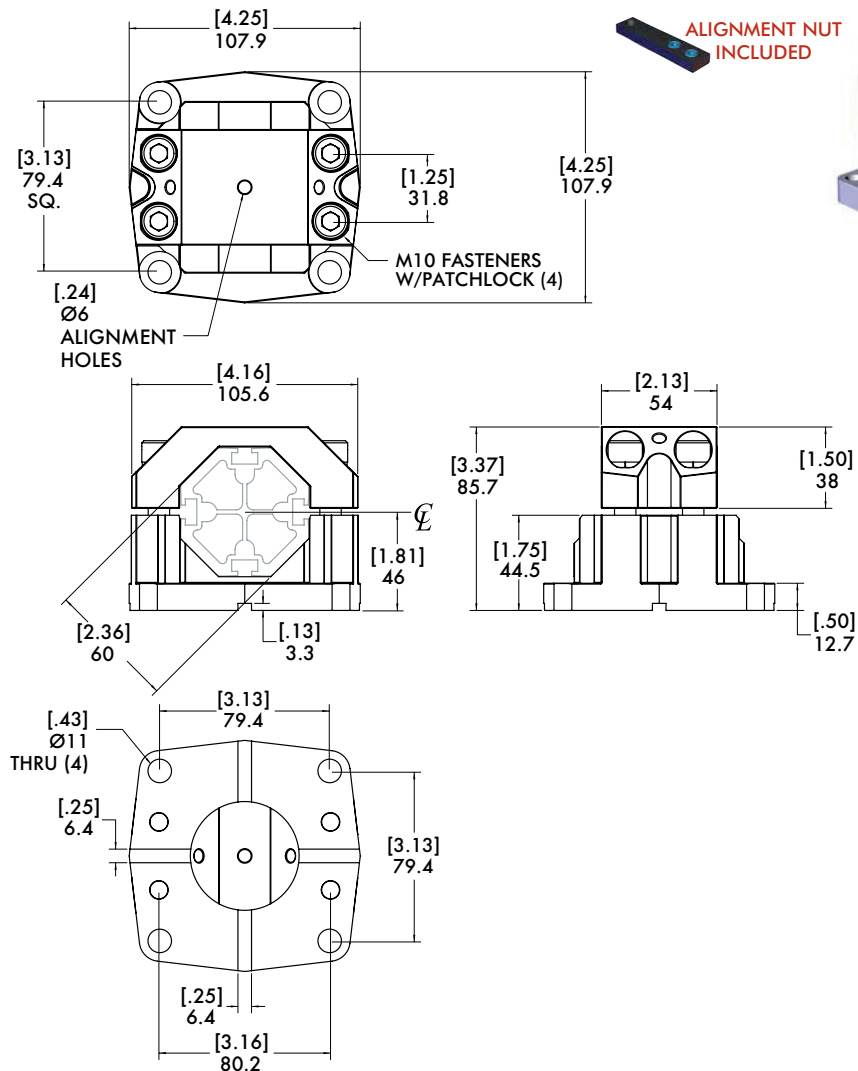
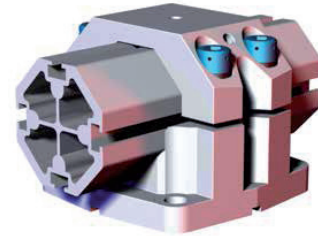
### TBC-60 60mm Mid Flange Clamp Mount

#### Features:

- Mounts 60mm extrusion parallel to the mounting surface.
- Can be used to mount to robot with an interface plate.
- Cross-key design provides added strength for high-torque applications when used in conjunction with a slot and key mechanism.

#### Specifications:

**Max. Static Clamp Load:**  
746 Nm [550 ft-lb]  
**Material:** Cast Aluminum



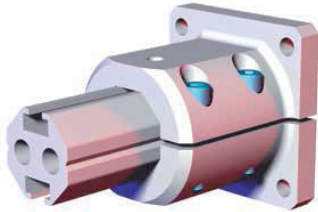
Cross Key sold separately: (2) x 540-25388

Model Number	Weight
TBC-60-00	0.92 kg [2.02 lb]



## BodyBuilder™ Octagonal Tooling | Dimensions | Technical Specifications

### CLM-30B-20F 30mm End Flange Clamp Mount



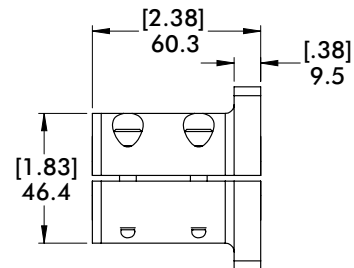
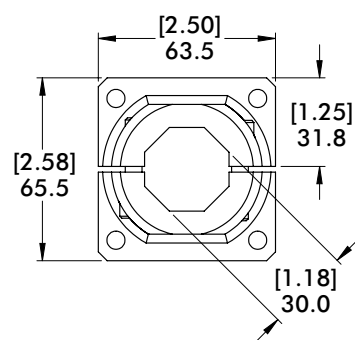
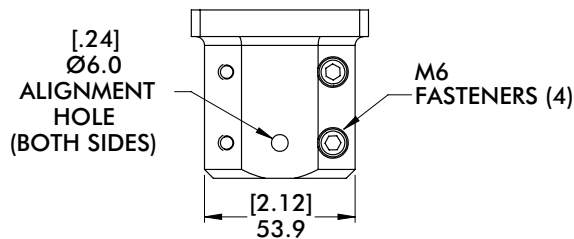
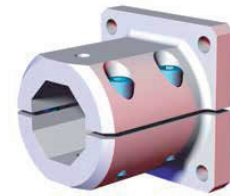
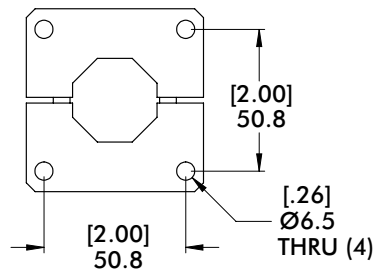
**Specifications:**

**Max. Static Clamp Load:**  
102 Nm [75 ft-lb]

**Material:** Aluminum

**Features:**

- Mounts 30mm extrusion 90° to the mounting surface.
- Can be used as robot interface when quick-change connector is not required.



Model Number	Weight
<b>CPI-CLM-30B-20F</b>	.29 kg [.64 lb]

Dimensions and technical information are subject to change without notice



## BodyBuilder™ Octagonal Tooling | Dimensions | Technical Specifications

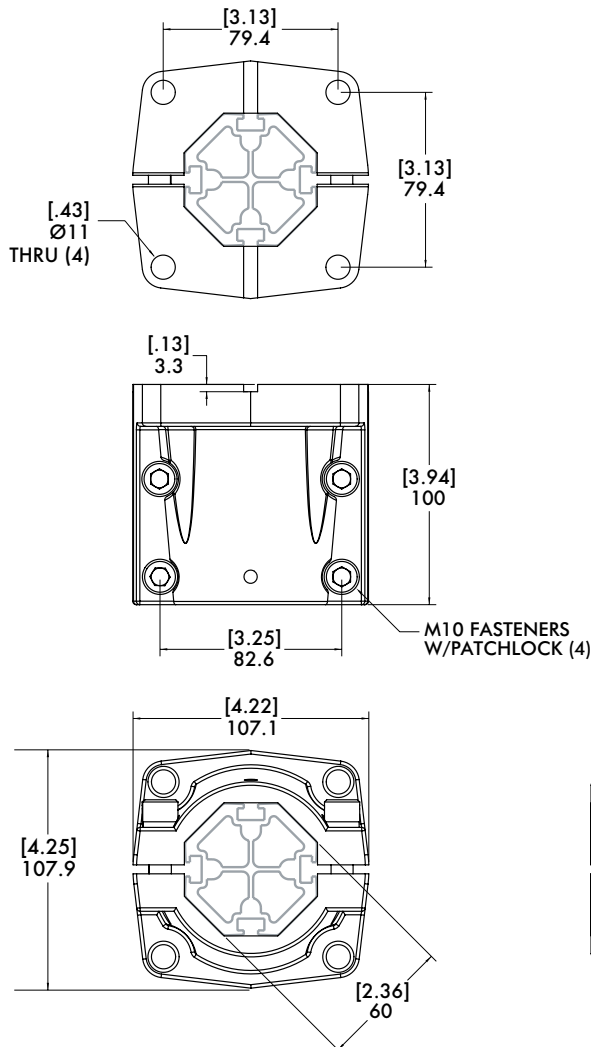
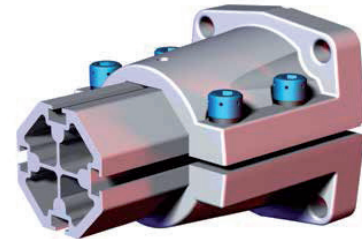
### BECC-60 60mm End Flange Clamp Mount

**Features:**

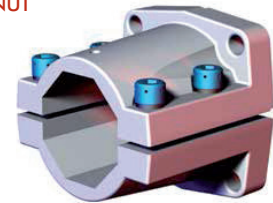
- Mounts 60mm extrusion 90° to the mounting surface.
- Can be used as robot interface when quick-change connector is not required.
- Cross-key design provides added strength for high-torque applications when used in conjunction with a slot and key mechanism.

**Specifications:**

**Max. Static Clamp Load:**  
746 Nm [550 ft-lb]  
**Material:** Cast Aluminum



ALIGNMENT NUT INCLUDED



Cross Key sold separately: (2) x 540-25388

Model Number	Weight
BECC-60-00	1.21 kg [2.67 lb]