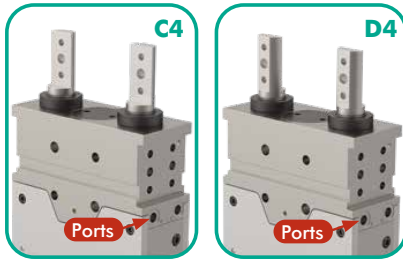


85D5-2

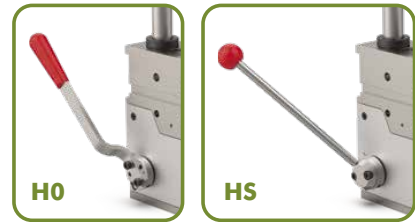
Pneumatic Pin Package | Dual Shaft | Ordering Information

85D5-2 **C4** **L8** **10** **H0** **4** **Stroke** **4** **Description**
40 mm Stroke

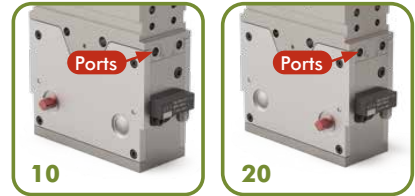
Piston Rod Description
C4 NAAMS Standard
D4 NAAMS Standard Rotated 180°



Hand Lever Description
00 No Hand Lever
H0 Standard Hand Lever
HS Weldable Hand Lever



Hand Lever Shafts* Description
10 Non-port side
20 Port side
*Hand Lever can be attached on either side of unit.

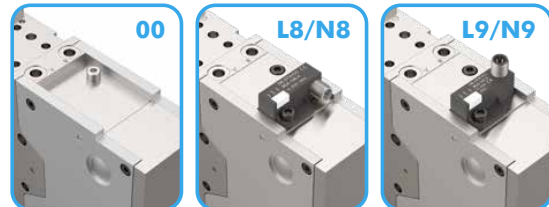


Sensor can be mounted on either side of unit by customer. Port side mounting shown.

Shown with Hand Lever H Option. Hand Lever can be attached on either side of unit.

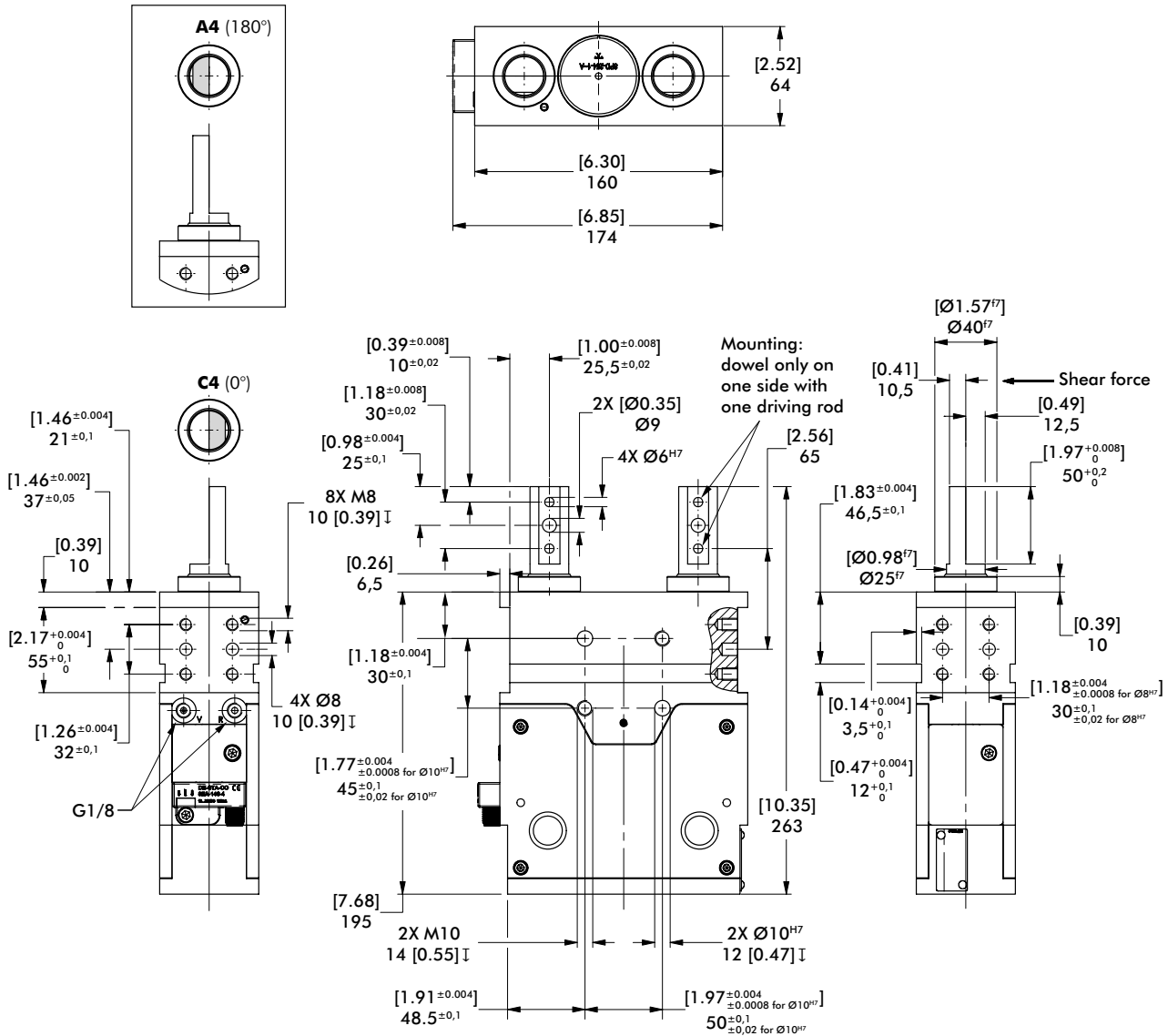


Sensor Description
00 Without Sensing System
L8 PNP Sensor with In-line M12x1 Connector (8EA-146-4-B)
N8 NPN Sensor with In-line M12x1 Connector (8EA-154-4-B)
L9 PNP Sensor with 90° M12x1 Connector (8EA-147-4-B)
N9 NPN Sensor with 90° M12x1 Connector (8EA-155-4-B)
K8 PNP Sensor with M12x1 Cable Connector (8EA-158-4-B)
K9 NPN Sensor with M12x1 Cable Connector (8EA-167-4-B)
*Sensors can be mounted on opposite side by customer.



85D5-2

Pneumatic Pin Package | Dual Shaft | Dimensions and Technical Specifications



Medium: Operation with oil free air is permissible

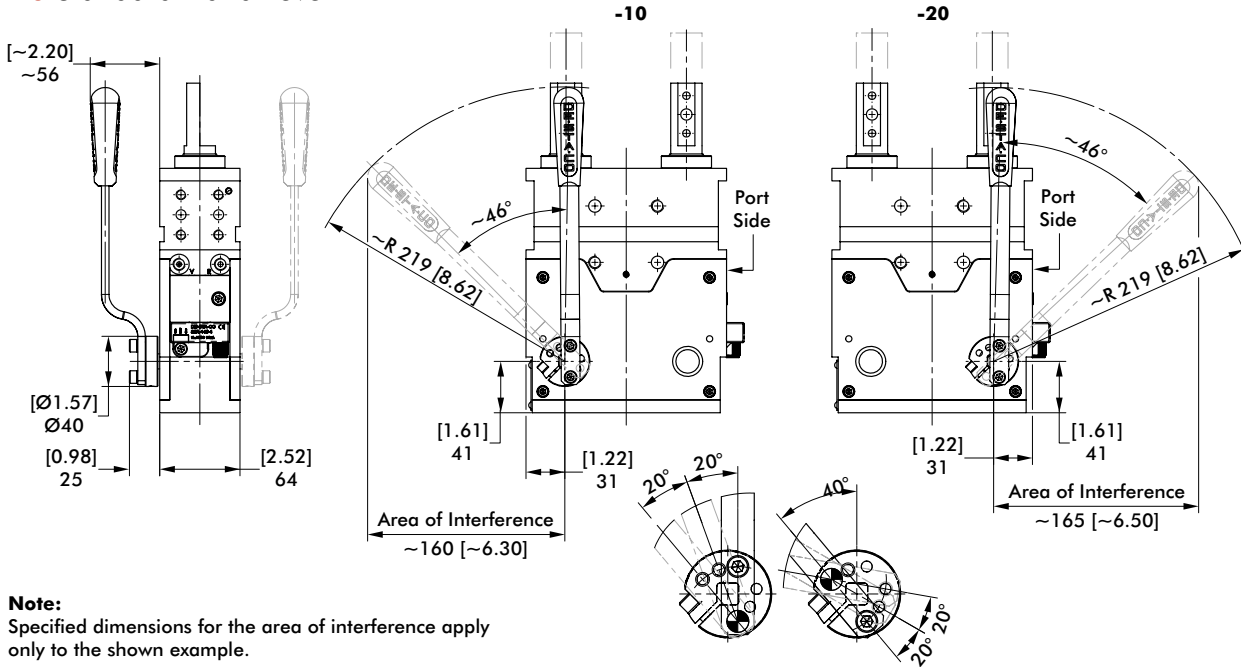
Note: Extracting force and retracting force shown in this chart are only available with the last 2 mm stroke at extracted position. In the other range of the stroke the forces will be approximately 30% of value in the chart.

Base Model	Stroke mm [in]	Pushing Force at 6 bar N [lbf]	Retraction Force at 6 bar N [lbf]	Holding Force at 6 bar N [lbf]	Max. Operating Pressure bar [psi]	Piston Ø mm [in]	Weight Kg [lbs]	Air consumption per double stroke at 5 bar dm³ [ft³]
85D5-2	40 [1.57]	3500 [787]	2300 [517]	5000 [1124]	6 [87]	50 [1.97]	7,8 [17.20]	1,1 [0.04]

85D5-2 OPTIONS

Pneumatic Pin Package | Dual Shaft | Dimensions and Technical Specifications

H0 Standard Hand Lever

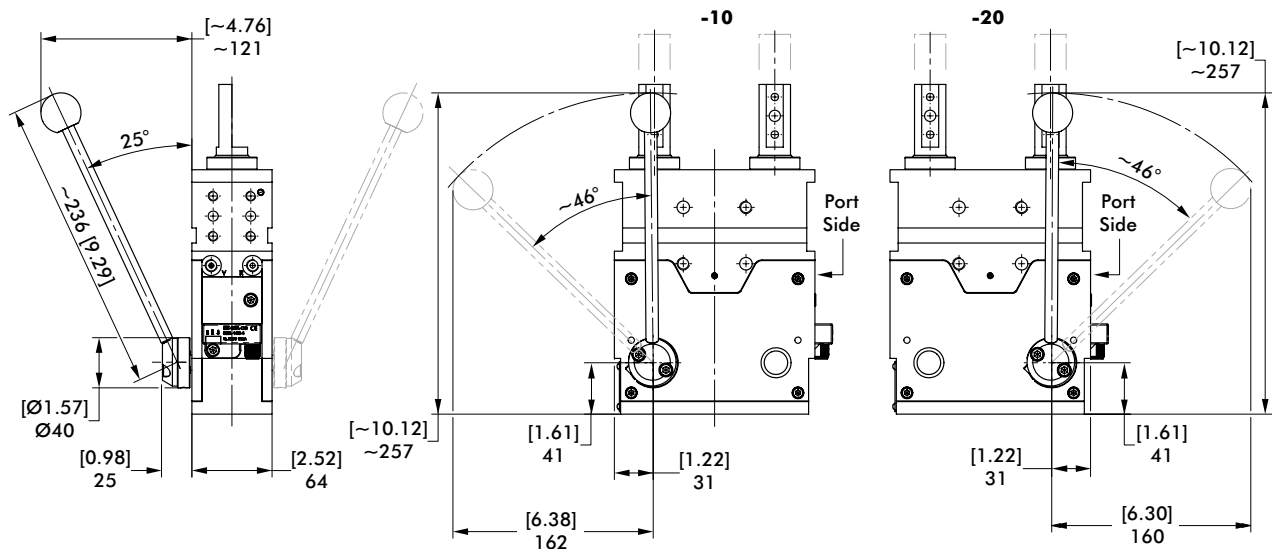


Note:
Specified dimensions for the area of interference apply only to the shown example.
The start position and the angle of the hand lever changes by mounting of the hand lever on the other side of the clamp or by rebuilding of the lever on the clamp piece.

Hand lever angle can be changed by further mounting options on the clamp piece

Model no.	Weight kg [lb]
85D5-2*****H04	8,3 [18.29]

H0 Weldable Hand Lever



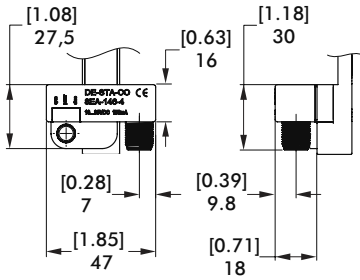
Note:
The view shows an example for a position of the welded hand lever.
The hand lever is delivered loose enclosed and can be welded by the customer in the required position. Easy custom left hand or right hand mounting in required position.

Model no.	Weight kg [lb]
85D5-2*****HS4	8,3 [18.29]

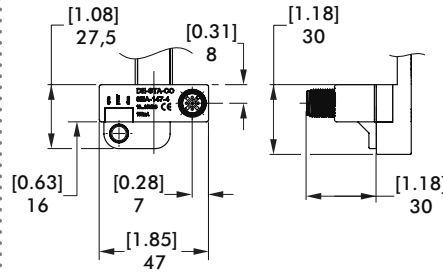
85D5-2 SENSORS

Pneumatic Pin Package | Dual Shaft | Dimensions and Technical Specifications

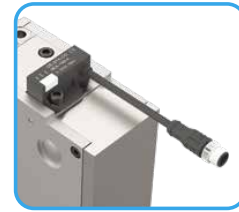
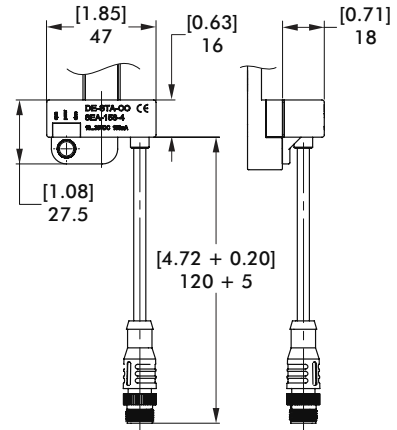
L8, N8 Inductive Sensing System



L9, N9 Inductive Sensing System with 90° Connector

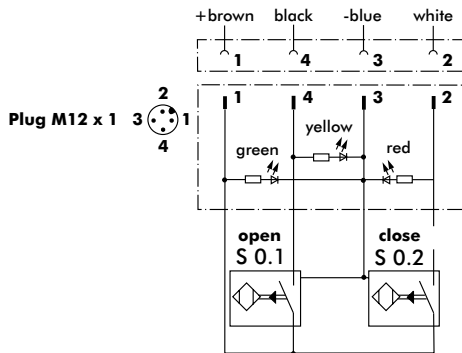


K8, K9 Inductive Sensing System with Pigtail Connector



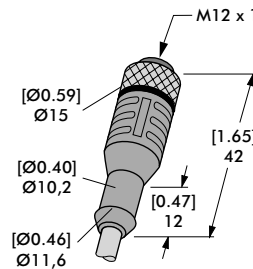
Inductive Sensor Wiring Diagram

Sensing system immune to interference from AC / DC arc welding.

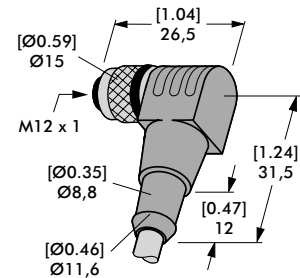


Sensor Cable Accessories

Sensor Cables (1 connector & 5m cable)	Order no.
M12x1 connector, straight, 5-pin	8EL-002-1
M12x1 connector, 90° angular, 4-pin	8EL-003-1



Straight Cable
8EL-002-1



Angular Cable
8EL-003-1