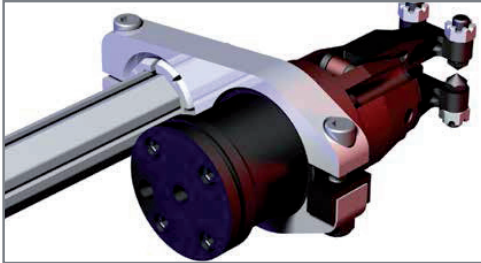




## BodyBuilder™ Octagonal Tooling | Dimensions | Technical Specifications

### GPC-150-30BBS 30mm Swivel 150 Series Parallel Gripper Mount



**Specifications:**

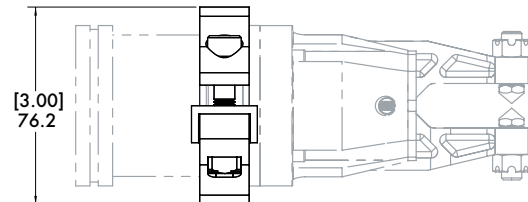
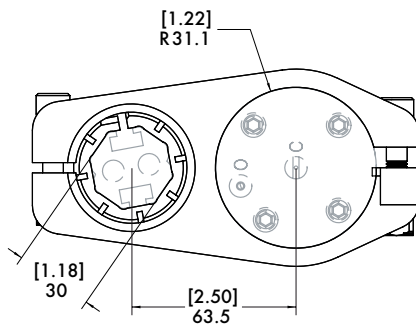
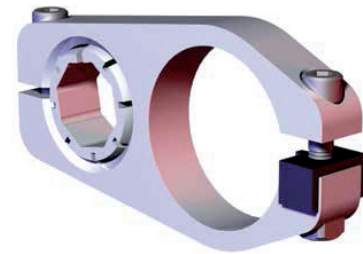
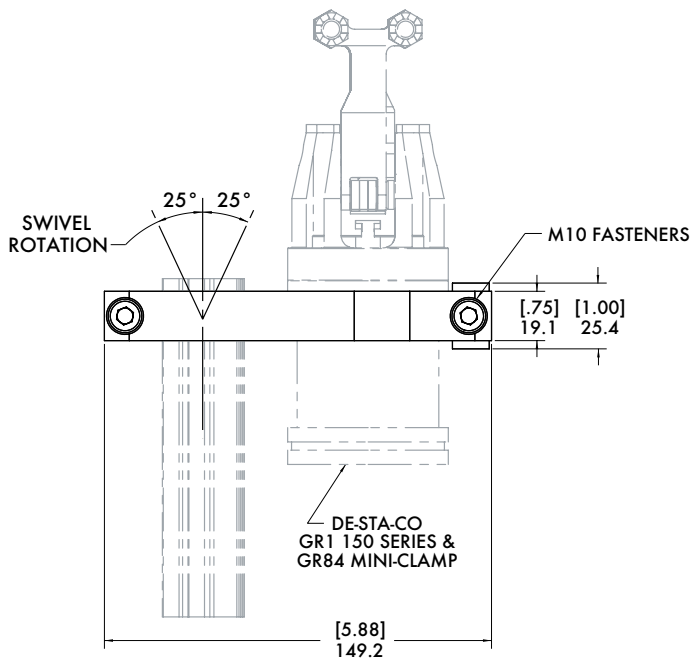
**Max. Static Clamp Load:**  
271 Nm [200 ft-lb]

**Material:**

Body: Aluminum  
Swivel Ball: Steel

**Features:**

- Removable grip mount lock allows gripper to be adjusted while continuing to holding it in place.
- Swivel ball allows for  $\pm 25^\circ$  adjustment of swivel rotation.



Model Number	Weight
<b>CPI-GPC-150-30BBS-DC</b>	.33 kg [.73 lb]

Dimensions and technical information are subject to change without notice



## BodyBuilder™ Octagonal Tooling | Dimensions | Technical Specifications

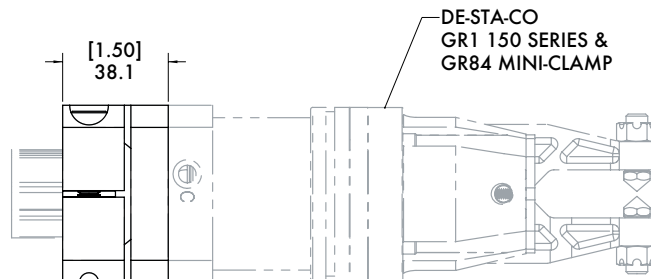
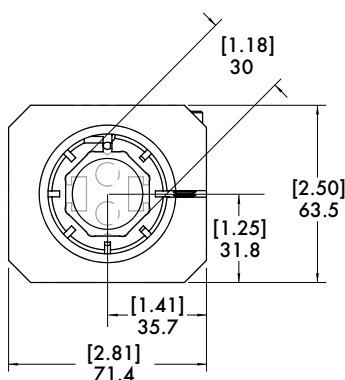
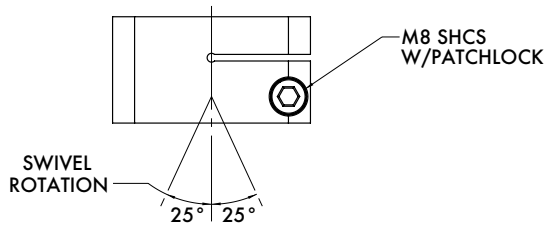
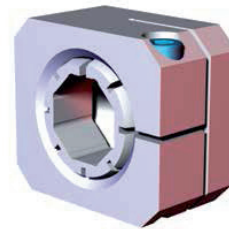
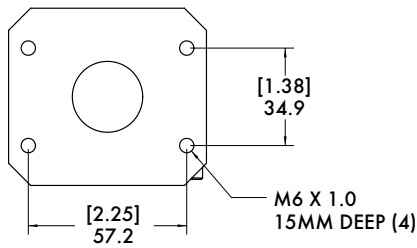
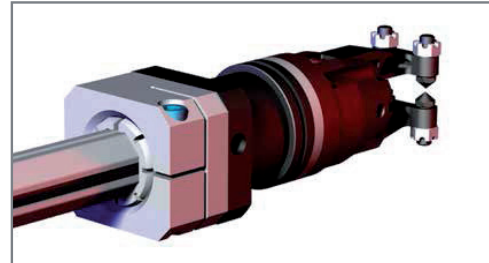
### RJM-150-30BBS 30mm End Gripper Mount for 150 Series Gripper

**Features:**

- Swivel ball allows for  $\pm 25^\circ$  adjustment of swivel rotation.

**Specifications:**

**Max. Static Clamp Load:**  
271 Nm [200 ft-lb]  
**Material:**  
Housing:  
Machined Aluminum  
Swivel: Steel



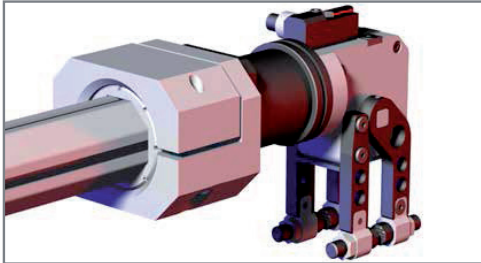
Model Number	Weight
CPI-RJM-150-30BBS	.33 kg [.74 lb]

Dimensions and technical information are subject to change without notice



## BodyBuilder™ Octagonal Tooling | Dimensions | Technical Specifications

### RJM-150-45BBS 45mm End Gripper Mount for 150 Series Gripper



**Specifications:**

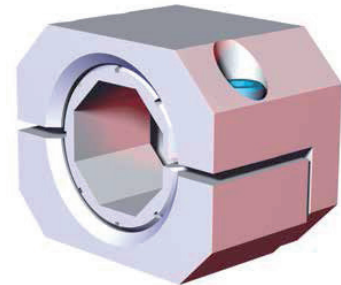
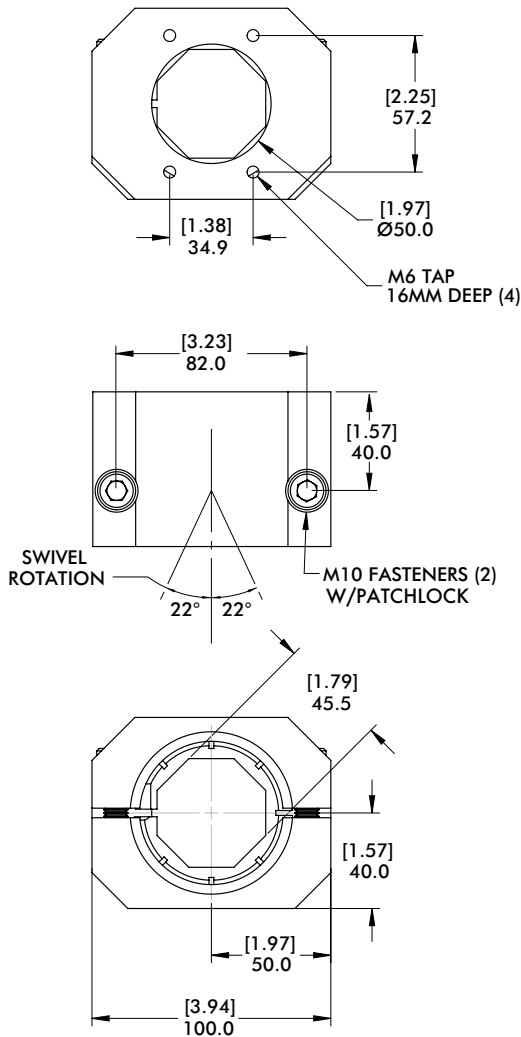
**Max. Static Clamp Load:**  
475 Nm [350 ft-lb]

**Material:**

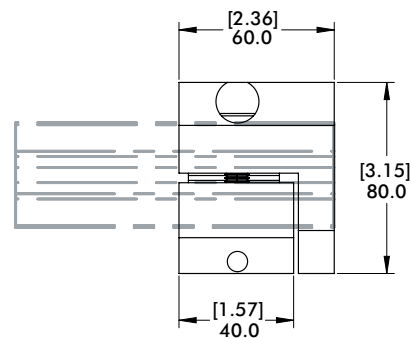
Housing:  
Machined Aluminum  
Swivel: Steel

**Features:**

- Swivel ball allows for  $\pm 22^\circ$  adjustment of swivel rotation.



TO USE AS A FIXED MOUNT  
INSERT BOOM COMPLETELY  
UNTIL IT COMES INTO  
CONTACT WITH GRIPPER  
FOR SWIVEL OPTION INSERT  
BOOM 40 MM [1.57 IN] OR  
UNTIL BOOM IS INSERTED  
ENOUGH TO ALLOW  
ROTATION WITHOUT  
OBSTRUCTION



Model Number	Weight
CPI-RJM-150-45BBS	1.23 kg [2.71 lb]

Dimensions and technical information are subject to change without notice