

VACUUM CUPS

Vacuum Products | Dimensions, Ordering Information

FF/PF Round Flatfoot



Specifications:

Temperature:

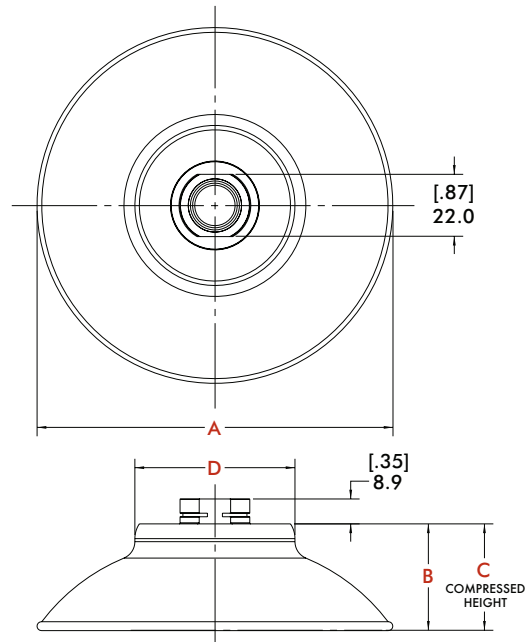
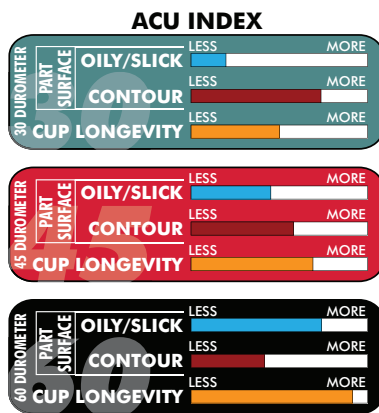
15-59 Sec: -20° to 250° F [-29° to 121° C]

1-5 min: 15° to 180° F [-9° to 82° C]

Material: Nitrile

Chemical Resistance:

Oil, water, grease, hydraulic fluid, alcohol



FF/PF Round Flatfoot

Model	A	B	C	D	Weight
50PF	50.8	22.5	13.0	19.1	40 g
[20FF]	[2.00]	[.89]	[.51]	[.75]	[1.4 oz]
75PF	76.2	25.4	18.2	39.6	57 g
[30FF]	[3.00]	[1.00]	[.72]	[1.56]	[2.0 oz]
100PF	101.6	33.3	22.2	39.6	96 g
[40FF]	[4.00]	[1.31]	[.88]	[1.56]	[3.4 oz]
125PF	127.0	38.2	25.4	57.2	159 g
[50FF]	[5.00]	[1.50]	[1.00]	[2.25]	[5.6 oz]

FF/PF Vacuum Cup Capacities:

Appl.	Hor. Dry	Hor. Wet	Ver. Lift
50PF	6.4 kg	2.7 kg	9.1 kg
[20FF]	[14 lb]	[6 lb]	[20 lb]
75PF	13.6 kg	5.9 kg	27.2 kg
[30FF]	[30 lb]	[13 lb]	[60 lb]
100PF	15.9 kg	9.1 kg	46.3 kg
[40FF]	[35 lb]	[20 lb]	[102 lb]
125PF	31.8 kg	25.8 kg	74.8 kg
[50FF]	[70 lb]	[55 lb]	[165 lb]

FF/PF Round Flatfoot Vacuum Cups Ordering Information

Imperial

- Ø2.00" CPI-20FF-(M)-(DR)
- Ø3.50" CPI-30FF-(M)-(DR)
- Ø4.50" CPI-40FF-(M)-(DR)
- Ø5.50" CPI-50FF-(M)-(DR)

(DR) = Durometer

30 45 60

(M) = Mounts Available

K B C D 40FF 50FF E1

Metric

- Ø50mm CPI-50PF-(M)-(DR)
- Ø75mm CPI-75PF-(M)-(DR)
- Ø100mm CPI-100PF-(M)-(DR)
- Ø125mm CPI-125PF-(M)-(DR)

(DR) = Durometer

30 45 60

(M) = Mounts Available

A B C

Dimensions and technical information are subject to change without notice