

UR

Universal-Rundaluminium-Griffe UR

Werkstoff und Oberfläche:
Griffschenkel aus glaskugelverstärktem Polyamid PA 6, schwarz, ähnlich RAL 9005 oder aluminiumfarben, halbmatt mit Feinstruktur.

Griffsteg aus Rundaluminium AlMgSi 0,5; feingeschliffen und naturfarben oder schwarz eloxiert.

Anschraubeinsatz aus Messing.

Tragkraft:
min. 500 N.

Hinweis:
Beliebige Griffängen und Oberflächenausführungen auf Anfrage.

Universal Round Bar Aluminium Handles UR

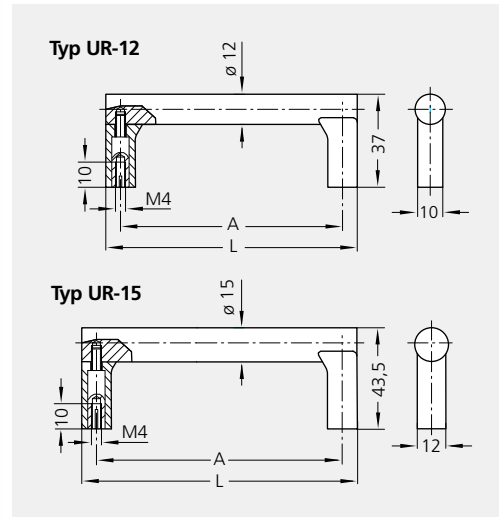
Material and surface:
Handle shanks of glass ball reinforced polyamide PA 6, black, similar RAL 9005 or aluminium coloured, half-matt with fine structure.

Handle ledge of round bar aluminium AlMgSi 0.5; fine ground and anodized in natural or black colour.

Screw down insert made of brass.

Stress resistance:
min. 500 N

Note:
Any other handle lengths and further colour combinations on request.



Eloxalausführung des Griffstegs Anodized version of grip ledge

Typ UR-12

A	L	Schenkelfarbe Shank colour		Eloxalausführung des Griffstegs Anodized version of grip ledge	
		aluminium	schwarz	naturfarben natural colour	schwarz black
				Bestell-Nr. Order no.	Bestell-Nr. Order no.
55	67	aluminium	schwarz	UR-12.055.A01	UR-12.055.A04
		aluminium	schwarz	UR-12.055.B01	UR-12.055.B04
88	100	aluminium	schwarz	UR-12.088.A01	UR-12.088.A04
		aluminium	schwarz	UR-12.088.B01	UR-12.088.B04
100	112	aluminium	schwarz	UR-12.100.A01	UR-12.100.A04
		aluminium	schwarz	UR-12.100.B01	UR-12.100.B04
120	132	aluminium	schwarz	UR-12.120.A01	UR-12.120.A04
		aluminium	schwarz	UR-12.120.B01	UR-12.120.B04
180	192	aluminium	schwarz	UR-12.180.A01	UR-12.180.A04
		aluminium	schwarz	UR-12.180.B01	UR-12.180.B04
200	212	aluminium	schwarz	UR-12.200.A01	UR-12.200.A04
		aluminium	schwarz	UR-12.200.B01	UR-12.200.B04
235	247	aluminium	schwarz	UR-12.235.A01	UR-12.235.A04
		aluminium	schwarz	UR-12.235.B01	UR-12.235.B04
250	262	aluminium	schwarz	UR-12.250.A01	UR-12.250.A04
		aluminium	schwarz	UR-12.250.B01	UR-12.250.B04

Typ UR-15

55	70	aluminium	schwarz	UR-15.055.A01	UR-15.055.A04
		aluminium	schwarz	UR-15.055.B01	UR-15.055.B04
88	103	aluminium	schwarz	UR-15.088.A01	UR-15.088.A04
		aluminium	schwarz	UR-15.088.B01	UR-15.088.B04
100	115	aluminium	schwarz	UR-15.100.A01	UR-15.100.A04
		aluminium	schwarz	UR-15.100.B01	UR-15.100.B04
120	135	aluminium	schwarz	UR-15.120.A01	UR-15.120.A04
		aluminium	schwarz	UR-15.120.B01	UR-15.120.B04
180	195	aluminium	schwarz	UR-15.180.A01	UR-15.180.A04
		aluminium	schwarz	UR-15.180.B01	UR-15.180.B04
200	215	aluminium	schwarz	UR-15.200.A01	UR-15.200.A04
		aluminium	schwarz	UR-15.200.B01	UR-15.200.B04
235	250	aluminium	schwarz	UR-15.235.A01	UR-15.235.A04
		aluminium	schwarz	UR-15.235.B01	UR-15.235.B04
250	265	aluminium	schwarz	UR-15.250.A01	UR-15.250.A04
		aluminium	schwarz	UR-15.250.B01	UR-15.250.B04