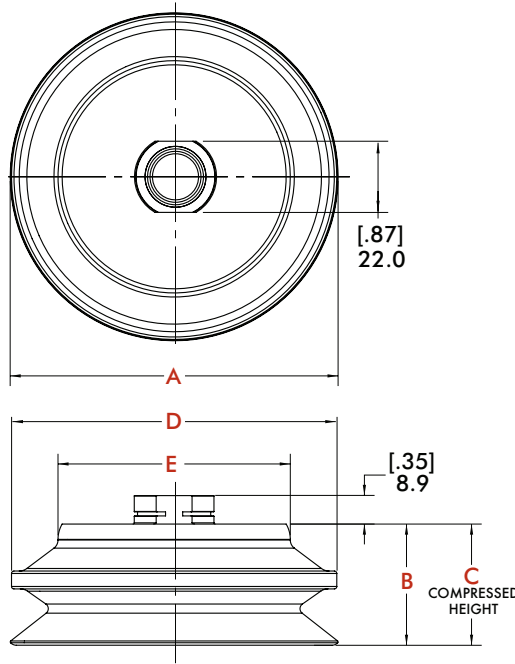


VACUUM CUPS

Vacuum Products | Dimensions, Ordering Information

AC/BT Round Belcup



Specifications:

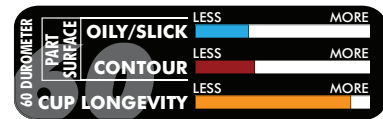
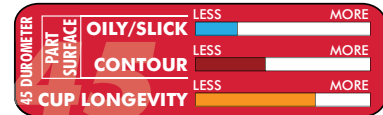
Temperature:
 15-59 Sec: -20° to 250° F [-29° to 121° C]
 1-5 min: 15° to 180° F [-9° to 82° C]

Material: Nitrile

Chemical Resistance:

Oil, water, grease, hydraulic fluid, alcohol

ACU INDEX



AC/BT Round Belcup

Model	A	B	C	D	E	Weight
40BT	41.1	25.9	11.9	41.1	31.8	35 g
[15AC]	[1.62]	[1.02]	[.47]	[1.63]	[1.25]	[1.2 oz]
50BT	57.4	37.4	18.3	57.9	38.1	57 g
[20AC]	[2.26]	[1.47]	[.72]	[2.28]	[1.50]	[2.0 oz]
75BT	78.9	38.8	19.8	80.0	56.6	91 g
[30AC]	[3.11]	[1.53]	[.78]	[3.15]	[2.23]	[3.2 oz]
100BT	102.4	37.8	18.6	101.6	72.6	159 g
[40AC]	[4.03]	[1.49]	[.73]	[4.00]	[2.85]	[5.6 oz]
125BT	127.0	38.1	19.0	127.0	97.8	232 g
[50AC]	[5.00]	[1.50]	[.75]	[5.00]	[3.85]	[8.2 oz]

AC/BT Vacuum Cup Capacities:

Appl.	Hor. Dry	Hor. Wet	Ver. Lift
40BT	2.7 kg	1.4 kg	3.6 kg
[15AC]	[6 lb]	[3 lb]	[8 lb]
50BT	3.9 kg	2.0 kg	11.8 kg
[20AC]	[8.5 lb]	[4.5 lb]	[26 lb]
75BT	5.4 kg	2.7 kg	25.4 kg
[30AC]	[12 lb]	[6 lb]	[56 lb]
100BT	15.0 kg	3.6 kg	40.4 kg
[40AC]	[33 lb]	[8 lb]	[89 lb]
125BT	24.0 kg	6.8 kg	62.6 kg
[50AC]	[53 lb]	[15 lb]	[138 lb]

AC/BT Round Belcup Vacuum Cups Ordering Information

Imperial

- Ø1.50" CPI-15AC-(M)-(DR)
- Ø2.00" CPI-20AC-(M)-(DR)
- Ø3.00" CPI-30AC-(M)-(DR)
- Ø4.00" CPI-40AC-(M)-(DR)
- Ø5.00" CPI-50AC-(M)-(DR)

(DR) = Durometer



(M) = Mounts Available



Metric

- Ø40mm CPI-40BT-(M)-(DR)
- Ø50mm CPI-50BT-(M)-(DR)
- Ø75mm CPI-75BT-(M)-(DR)
- Ø100mm CPI-100BT-(M)-(DR)
- Ø125mm CPI-125BT-(M)-(DR)

(DR) = Durometer



(M) = Mounts Available



Dimensions and technical information are subject to change without notice