

602, 604, 624 SERIES

Straight Line Action Clamps | Product Overview

Features:

- Versatile and compact straight line action clamps
- Threaded body for through hole mounting
- **-SS** models are stainless steel
- Toggle Lock Plus™ versions available (604, 624 only)
- 5 handle colors - see page MC-PRO-7 for details

Applications:

- Assembly
- Checking fixtures
- Welding fixtures
- Tensioning devices

Also Available:

See page MC-ACC-1 for accessories

602
602-**SS**
602-**MM**
602-**MMSS**



604
604-**SS**
604-**R**
604-**RSS**
604-**MM**
604-**MMSS** ⓘ
604-**MMR**
604-**MMRSS**



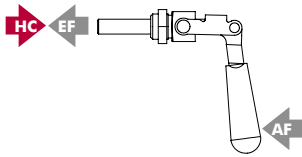
624
624-**SS**
624-**R**
624-**RSS**
624-**MM**
624-**MMR**
624-**MMRSS**



Color Handles

Available on models in this series. Add **-Y, -G, -B, -K** to end of model number.

Technical Information | Holding Capacities | Dimensions



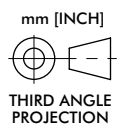
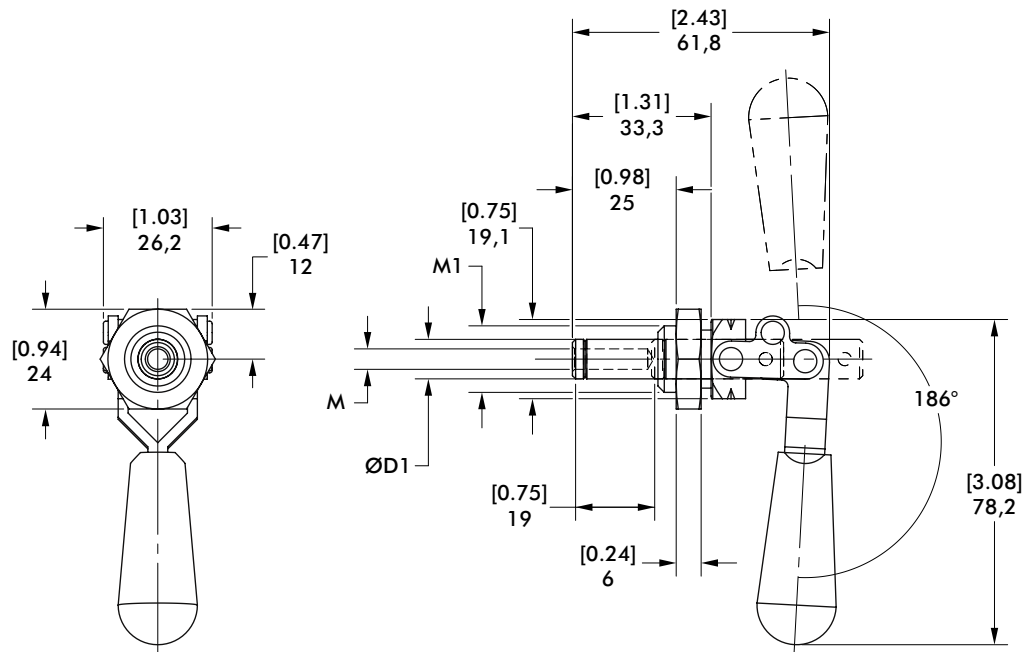
Model	Max. Holding Capacity	Weight	EF:AF (pushing/pulling)	Plunger Travel	Plunger Thread	Spindle (Recommended)	Mounting Nut (Supplied)
602					1/4-20	205203	602105
602-SS	[200 lbf]	[0.12 lb]	31:1/28:1	[0.75] 19	M6	202943	602905
602-MM	900 N	0,05 kg				205203-M	602105-M
602-MMSS						202943-M	602905-M
604	[300 lbf]				5/16-18	207203	606104
604-R	1330 N					--	606904
604-SS	[400 lbf]	[0.44 lb]	45:1/26:1	[1.50] 38	M8	207943	606104-M
604-RSS	1780 N					0,20 kg	207943-M (included)
604-MM	[300 lbf]						
604-MMR	1330 N						
604-MMSS ⓘ	[400 lbf]						
604-MMRSS	1780 N						
624					3/8-16	210203	624105
624-R						237943 (included)	624905
624-SS							
624-RSS	[700 lbf]	[1.63 lb]	49:1/21:1	[2.63] 66	M10	210203-M	624105-M
624-MM	3110 N	0,74 kg					
624-MMR							
624-MMRSS							

ⓘ This item is available upon request **HC** = Holding Capacity, **EF** = Exerting Force, **AF** = Applied Force

602 SERIES

Straight Line Action Clamps | Dimensions | -SS/-MM/-MMSS

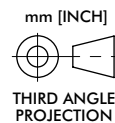
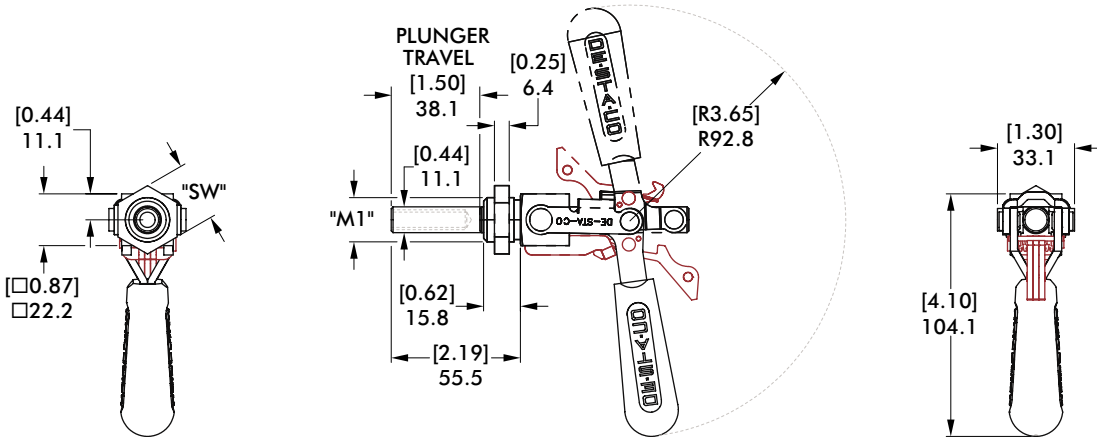
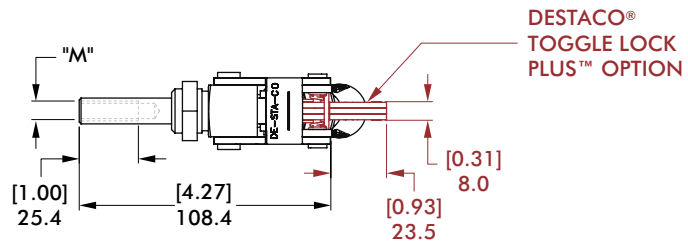
602
602-SS
602-MM
602-MMSS



Modell	ØD1	M	M1	SW
602	10 [0.39]			[0.88]
602-SS	9,5 [0.37]	1/4-20	5/8-18	22,2
602-MM	10 [0.39]			[0.87]
602-MMSS	10 [0.39]	M6	M16x1.5	22

604 SERIES

Straight Line Action Clamps | Dimensions | -SS/-MM/-MMSS/-R/-RSS/-MMR/-MMRSS



Model no.	M	M1	SW
604			
604-SS			[1.00] 25,4
604-R	5/16-18	3/4-16	
604-RSS			
604-MM			
604-MMSS			[1.18] 30
604-MMR	M8	M20x1.5	
604-MMRSS			

624 SERIES

Straight Line Action Clamps | Dimensions | -SS/-MM/-R/-RSS/-MMR/-MMRSS

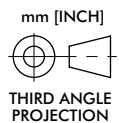
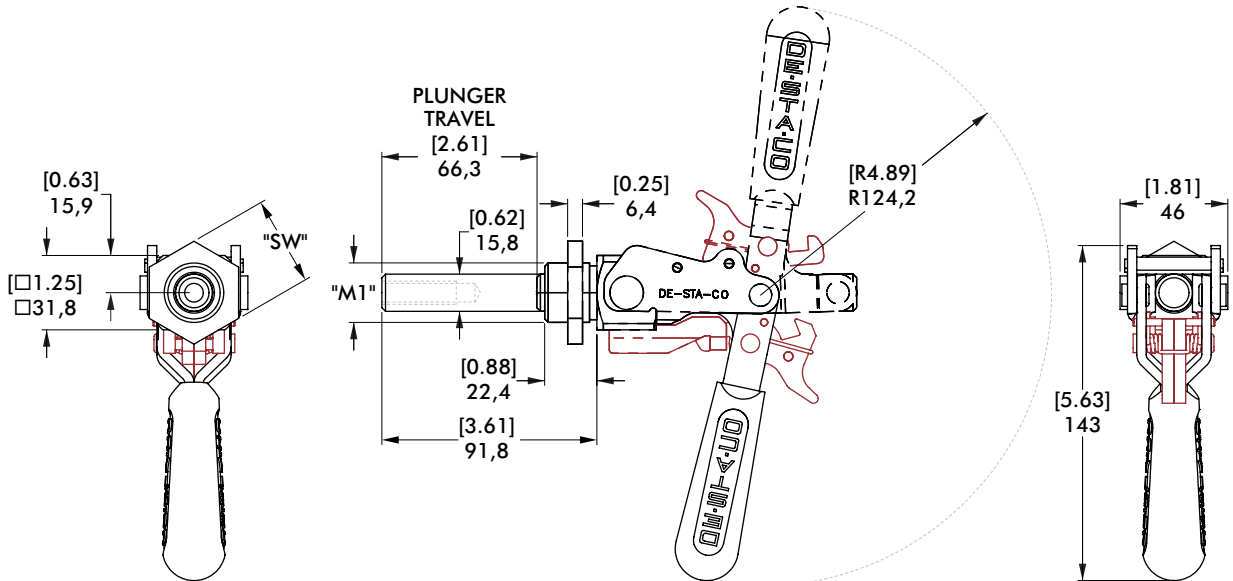
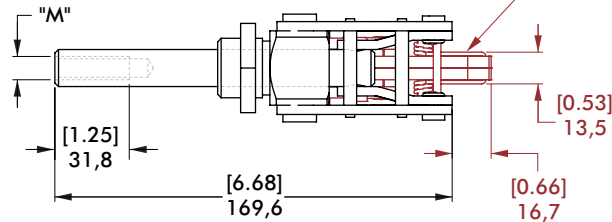
624
624-SS
624-MM



624-R
624-RSS
624-MMR
624-MMRSS



DESTACO®
TOGGLE LOCK
PLUS™ OPTION



Model no.	M	M1	SW
624			
624-SS	3/8-16	1-14	[1.50] 38,1
624-R			
624-RSS			
624-MM			
624-MMR	M10	M27x2	[1.61] 41
624-MMRSS			