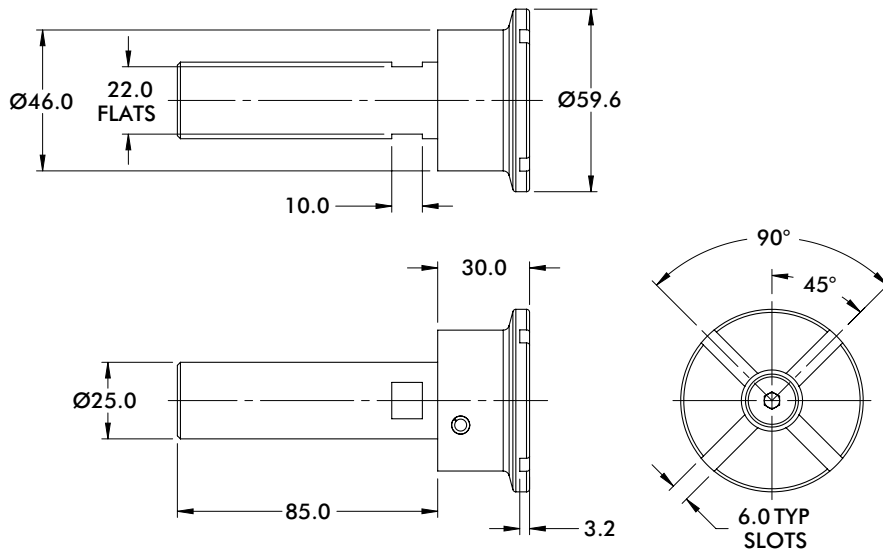
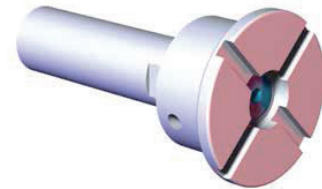
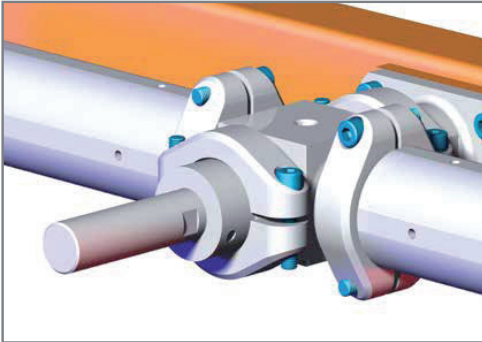




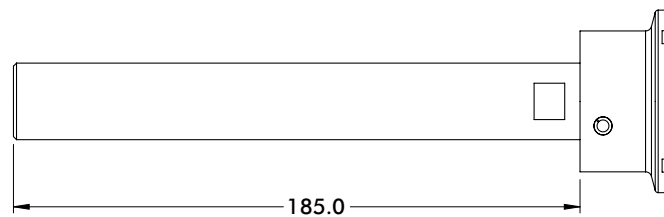
## SPIDERGRIP SINGLE END EXTENSIONS

Spidergrip Tooling Components | Dimensions | Technical Specifications

Ø60mm to Ø25mm Single End Extension



Model Number	Weight
STV0100-NA	.26 kg [.58 lb]



Model Number	Weight
STV0200-NA	.40 kg [.87 lb]

Dimensions and technical information are subject to change without notice