

RPR SERIES

2-Jaw Heavy-Duty Parallel Grippers | Features and Benefits | How To Order

Features:

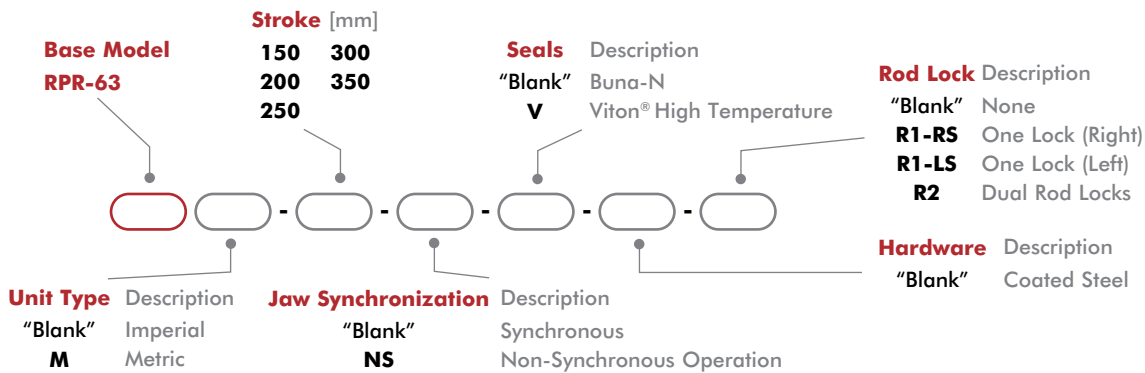
- High rigidity and robust long stroke gripper
- Grip force of 4559N with strokes from 150 mm [5.91 in] to 350 mm [13.78 in]
- Rack and Pinion for synchronized jaw operation
- Optional Integral Rod Lock that lock jaws in position upon air loss
- Shaft wiper seals protects internal bearings from contaminants
- Optional Viton® seals for high temp applications
- Customized sensing and linear encoder solutions available

Applications:

- Foundry applications
- Gantry Systems
- Large heavy part handling



How To Order



Accessories

Sensor Accessories		Part Number	Qty/Unit
Sensor Mounting Kit for Imperial & Metric Units (mounts 2 sensors)		OSMK-131	1
12mm PNP Inductive Sensor with Quick Disconnect*		OISP-017	1-2
12mm NPN Inductive Sensor with Quick Disconnect*		OISN-017	1-2
Quick Disconnect 2 Meter Cable Length*		CABL-014	1-2
Quick Disconnect 5 Meter Cable Length*		CABL-018	1-2
Pneumatic Accessories		Part Number	Qty/Unit
Fail Safe Valve 1/4 NPT (Imperial)		OFSV-003	1
Fail Safe Valve 1/4 BSPP (Metric)		OFSV-006	1
Buna-N Seal Repair Kit		SLKT-452	1
Viton® Seal Repair Kit		SLKT-453	1

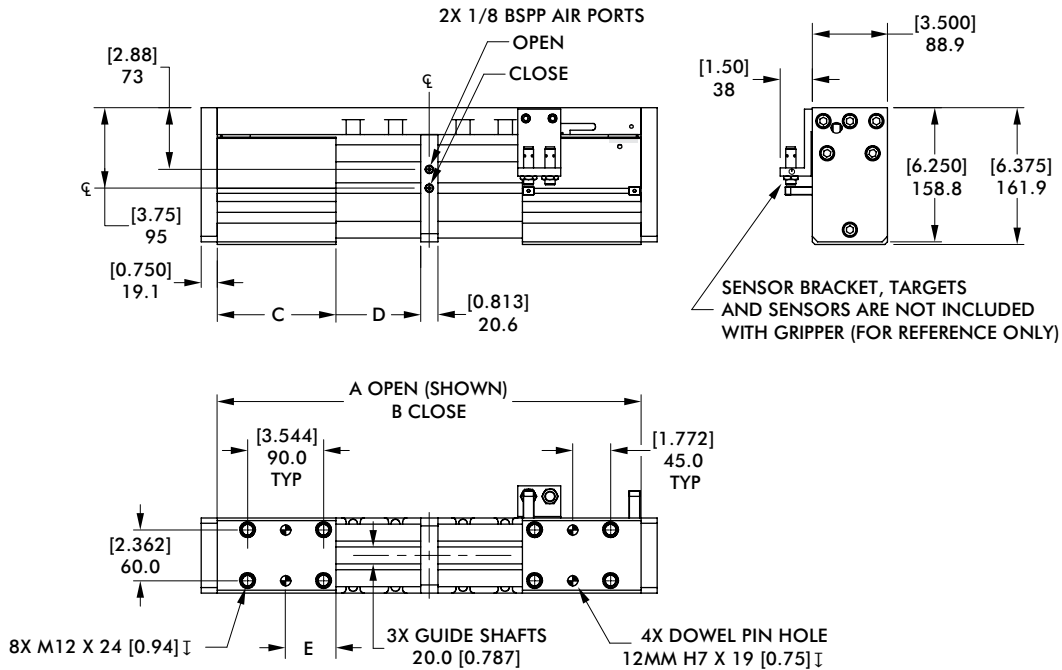
* Sensor and cable sold separately.

2-Jaw Heavy-Duty Parallel Grippers | Technical Specifications

Specifications	Units	RPR-63-150	RPR-63-200	RPR-63-250	RPR-63-300	RPR-63-350
Total Rated Grip Force F @ 100 psi	N [lbs]	3250 [800]				
Total Stroke	mm [in]	150 [5.91]	200 [7.87]	250 [9.84]	300 [11.81]	350 [13.78]
Weight	kg [lbs]	13.6 [30]	15.8 [35]	18.1 [40]	20.4 [45]	22.7 [50]
Ingress Protection Class (IP)		IP65				
Pressure Range	bar [psi]	3-7 [40-100]				
Displacement	cm ³ [in ³]	623 [38.2]				
Temperature Range (Buna-N seals)	°C [°F]	-35°~80° [-30°~180°]				
Temperature Range (Viton® seals)	°C [°F]	-30°~150° [-20°~300]				
Actuation	sec	1.0	1.3	1.6	1.8	2.0
Accuracy	mm [in]	±0.13 [±0.005]				
Repeatability	mm [in]	±0.05 [±0.002]				
Valve to Actuate Double Acting		4-way, 2-position				

RPR-63

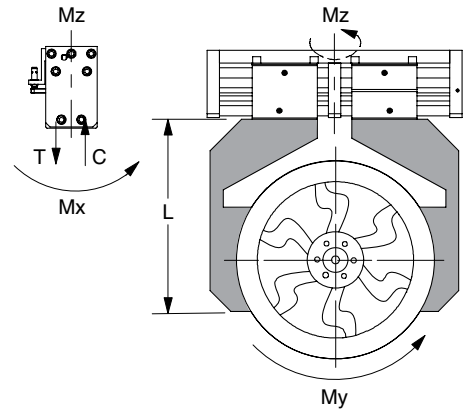
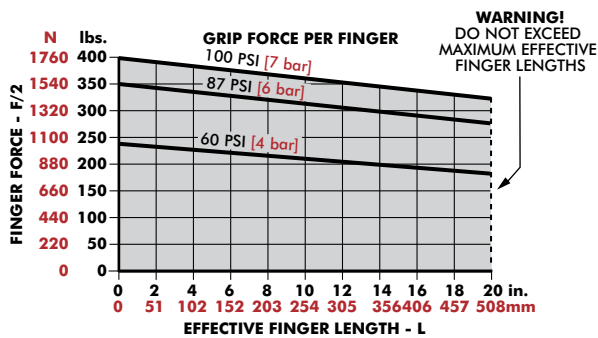
2-Jaw Heavy-Duty Parallel Grippers | Dimensions and Technical Specifications



RPR-63-250 SHOWN

Model	A	B	C	D	E
RPR-63-150	[12.27] 311.6	[6.34] 161.1	[5.51] 140	[2.96] 75.3	
RPR-63-200	[19.75] 501.7	[11.87] 301.6		[3.94] 100	[2.34] 59.6
RPR-63-250	[23.81] 604.7	[13.96] 354.7	[6.58] 167	[4.92] 125	
RPR-63-300	[28.15] 715	[16.21] 411.8	[7.70] 195.6	[5.97] 151.6	[3.50] 88.8
RPR-63-350	[31.75] 806.5	[17.71] 449.9	[8.45] 214.6	[7.02] 178.3	[4.25] 107.6

Loading Information



RPR-63M	
Maximum Tensile T	15570 N [3500 lbs]
Maximum Compressive C	15570 N [3500 lbs]
Maximum Moment M_x	825 Nm [7500 in-lbs]
Maximum Moment M_y	990 N [9000 lbs]
Maximum Moment M_x	825 Nm [7500 in-lbs]
Maximum Finger Length L	500mm [20 in]

*Capacities are per set of jaws and are not simultaneous

