

802 SERIES

Pneumatic Toggle Clamps | Product Overview

Features:

- Pneumatic version of Model 202-U
- Sensor ready for T-slot or round sensors
- Optional handle version allows for manual operation during setup and positioning

Applications:

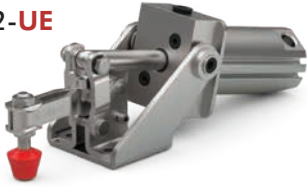
- Assembly
- Welding

Also Available:

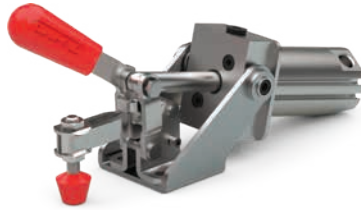
See page MC-ACC-1 for spindle accessories

See page MC-PSC-38 for sensing options

802-U
802-UE



802-UH
802-UHE



Technical Information | Holding Capacities

Model	Maximum Holding Capacity		Max. Exerting Force @ 5 bar [72 PSI]		Weight	Bore Size	Air Consumption† dm ³ [ft ³]	Port Size	Accessories (Supplied)	
	Inner	Outer	Inner	Outer					Spindle Accessory	Flanged Washers
802-U								1/8 NPT	202208-M	215105
802-UE	[200 lbf]	[110 lbf]	[200 lbf]	[110 lbf]	[1.52 lbs]	[0.79]	[0.0006]	G-1/8		
802-UH	890 N	490 N	890 N	490 N	0,69 kg	20	0,02	1/8 NPT		
802-UHE								G-1/8		

†Per double stroke at 5 bar [72 PSI]

Max Cylinder Pressure: 10bar [145psig]*

Max Operating Temp: -10°C to 90°C [-14°F to 194°F]

Replacement Seal Kit: 802550-20-1-00

Replacement Clamp Assembly: 802-U-LC

Replacement Cylinder Assembly: 802CYL

*In no case should the inlet pressure be high enough to create an exerting force that exceeds the clamp's holding capacity. See Technical Appendix for details.

Sensor Accessories

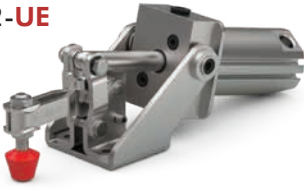
	Item Number
Round Reed Switch with Quick Disconnect	810169
T-slot Reed Switch with Quick Disconnect	8EA-109-1
Quick Disconnect 2M Extension Cable	CABL-010
Quick Disconnect 5M Extension Cable	CABL-013

See Pneumatic Accessories section for more options

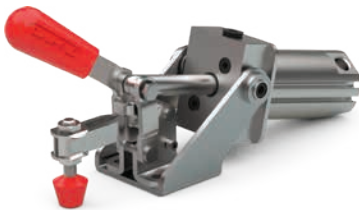
802 SERIES

Pneumatic Toggle Clamps | Dimensions | -U/-UE/-UH/-UHE

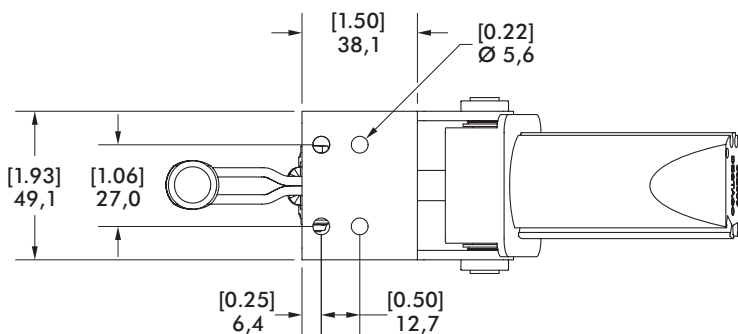
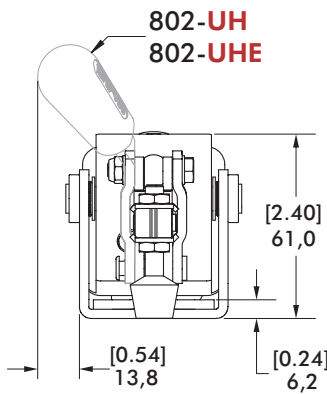
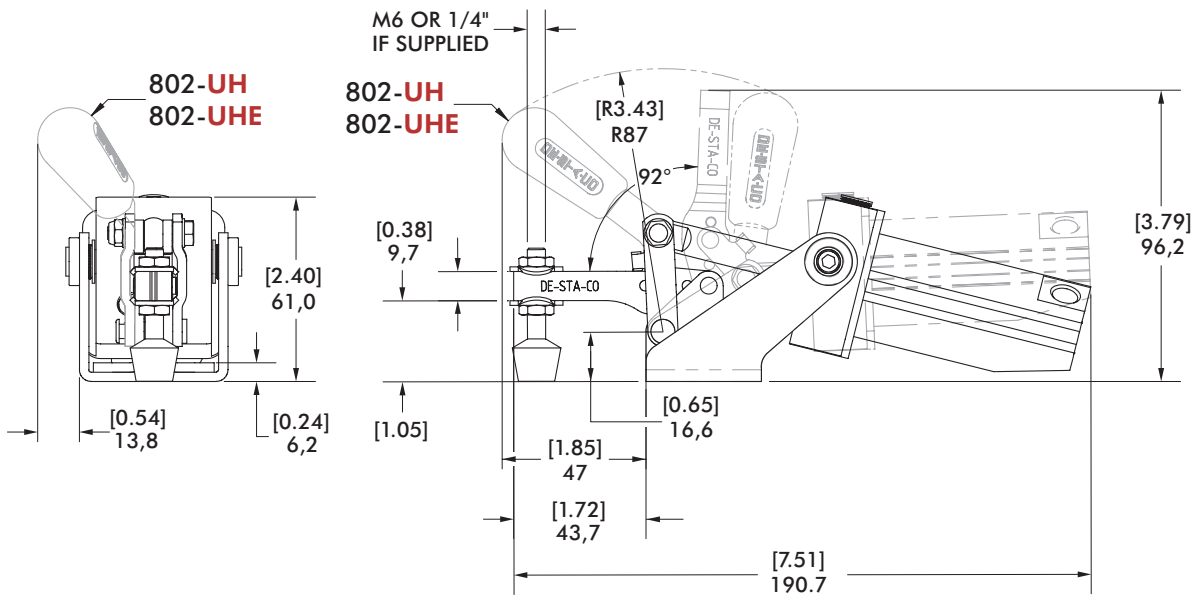
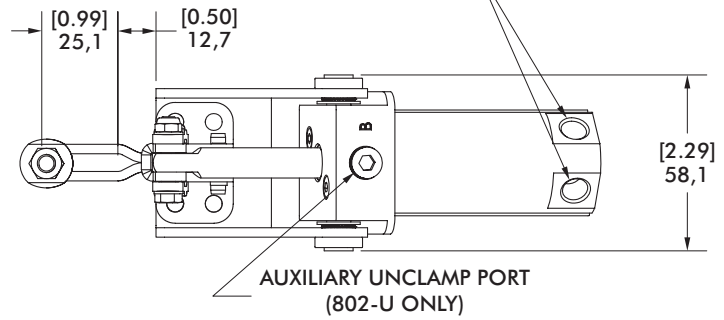
802-U
802-UE



802-UH
802-UHE



802-U / UH 1/8" NPT
802-UE / UHE G-1/8



mm [INCH]
THIRD ANGLE PROJECTION