

## BODYBUILDER™ SWIVEL ARMS

BodyBuilder™ Octagonal Tooling | Dimensions | Technical Specifications



### 30B50-MSA 30mm Swivel Arms for .50"(in) Apple Core Accessories

**Features:**

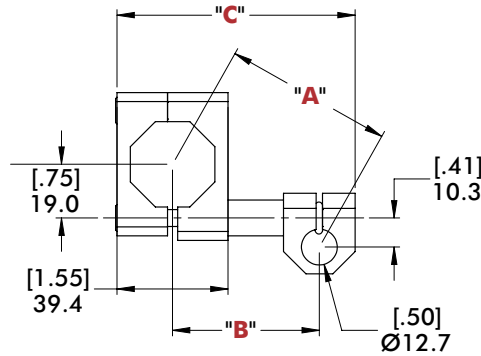
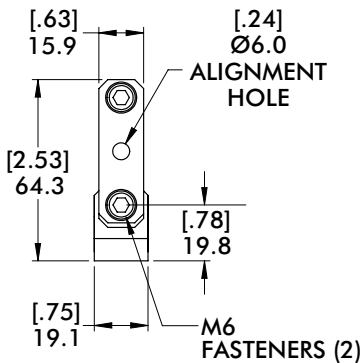
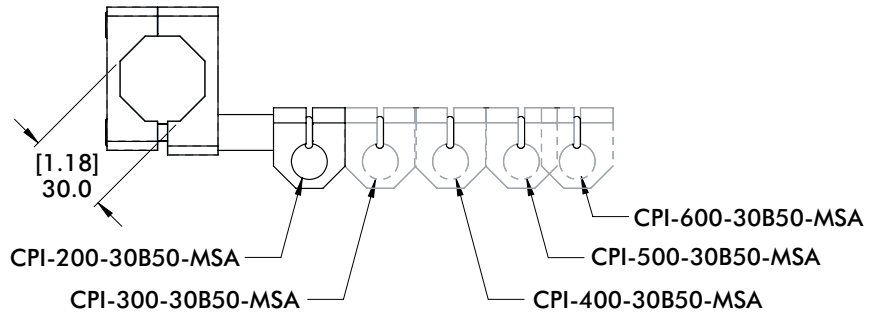
- Mounts to BodyBuilder™ 30mm extrusion boom.
- One bolt design for easy assembly and adjustment, allowing accessories to be repositioned easily.
- Provides 360° of adjustments in (3) axes.
- Used to mount venturi, bumpers, round locators, and proximity switches.

**Specifications:**

**Max. Static Clamp Load:**  
102 Nm [75 ft-lb]

**Material:**

**Body:**  
Cast Aluminum  
**Insert:**  
Machined Aluminum



CPI- <u>L</u> -30B50-MSA SWIVEL ARM				
"L"	"A"	"B"	"C"	Weight
<b>200</b>	59.8 [2.35]	52.1 [2.05]	84.5 [3.33]	.10 kg [.22 lb]
<b>300</b>	82.6 [3.25]	77.2 [3.04]	109.6 [4.32]	.11 kg [.24 lb]
<b>400</b>	106.2 [4.18]	102.1 [4.02]	134.5 [5.30]	.12 kg [.26 lb]
<b>500</b>	130.6 [5.14]	127.3 [5.01]	159.7 [6.29]	.13 kg [.29 lb]
<b>600</b>	150.0 [5.90]	147.1 [5.79]	179.5 [7.07]	.14 kg [1.72 lb]

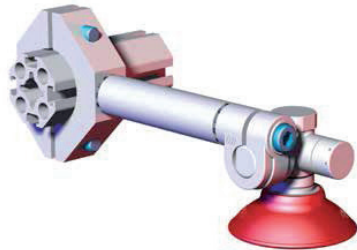
Dimensions and technical information are subject to change without notice



# BODYBUILDER™ SWIVEL ARMS

BodyBuilder™ Octagonal Tooling | Dimensions | Technical Specifications

## 45B-CSA 45mm Swivel Arms for Ø19mm [.75 in] Apple Core Accessories



**Specifications:**

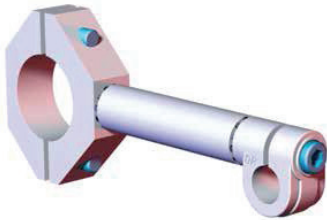
**Max. Static Clamp Load:**  
271 Nm [200 ft-lb]

**Material:**

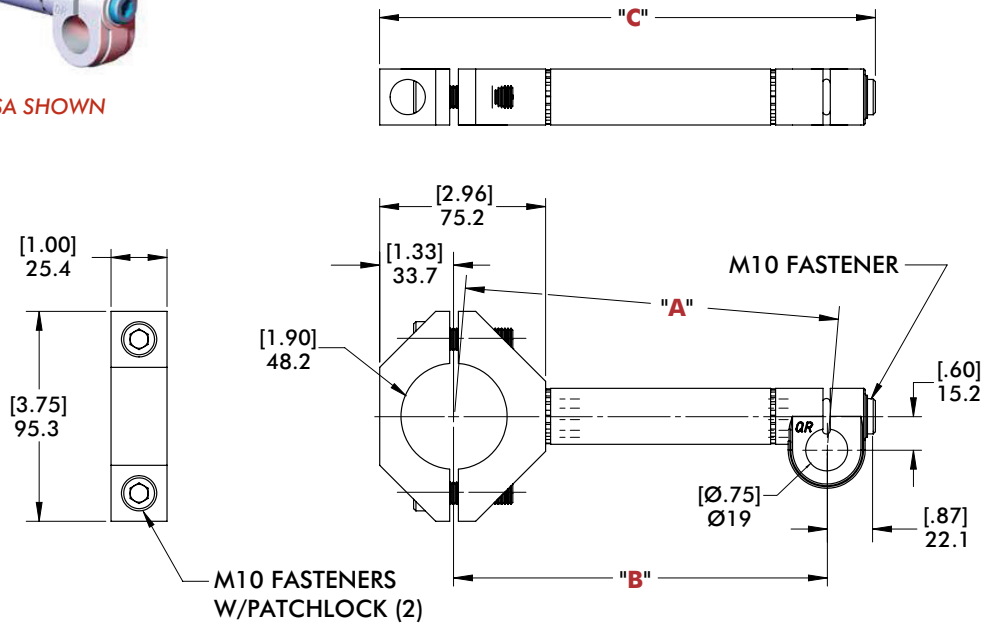
Body:  
Cast Aluminum  
Insert:  
Machined Aluminum

**Features:**

- Mounts to BodyBuilder™ 45mm extrusion boom.
- One bolt design for easy assembly and adjustment, allowing accessories to be repositioned easily.
- Provides 360° of adjustments in (3) axes.
- Used to mount venturi, bumpers, round locators, and proximity switches.



CPI-180-45B-CSA SHOWN



CPI-" L "-45B-CSA SWIVEL ARM				
" L "	" A "	" B "	" C "	Weight
130	119.8 [4.72]	118.8 [4.68]	140.9 [5.56]	.48 kg [1.06 lb]
180	169.8 [6.68]	169.1 [66.6]	224.9 [8.89]	.54 kg [1.20 lb]
230	219.7 [8.65]	219.1 [8.63]	275.0 [10.83]	.61 kg [1.34 lb]
280	269.6 [10.61]	269.2 [10.60]	325.0 [12.80]	.67 kg [1.47 lb]

Dimensions and technical information are subject to change without notice

## BODYBUILDER™ SWIVEL ARMS

BodyBuilder™ Octagonal Tooling | Dimensions | Technical Specifications



### SA-30 30mm Swivel Arms for Ø19mm [.75 in] Apple Core Accessories

#### Features:

- Mounts to BodyBuilder™ 30mm extrusion boom.
- One bolt design for easy assembly and adjustment, allowing accessories to be repositioned easily.
- Provides 360° of adjustments in (3) axes.
- Used to mount venturi, bumpers, round locators, and proximity switches.

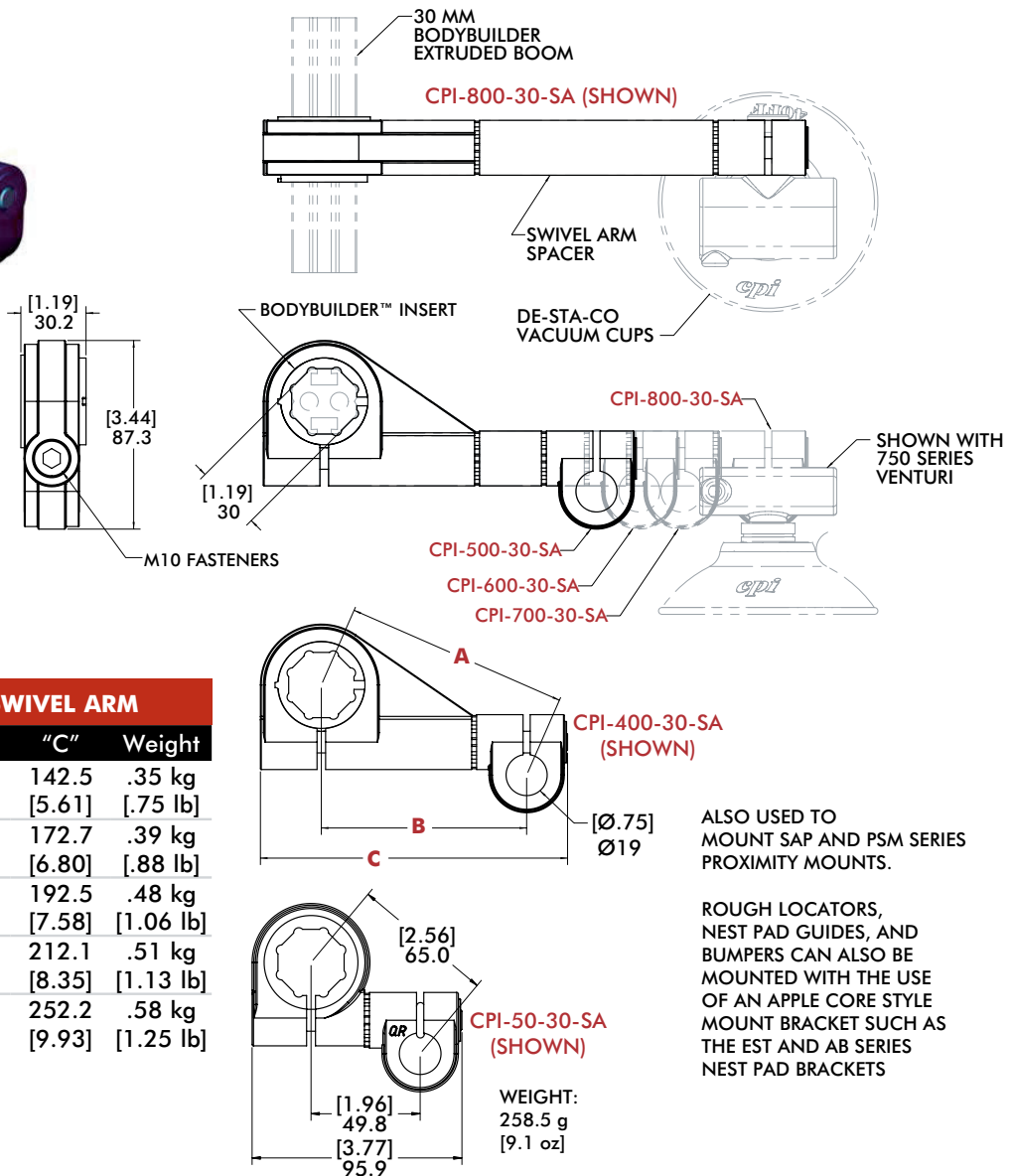
#### Specifications:

**Max. Static Clamp Load:**  
271 Nm [200 ft-lb]

**Material:**  
Body: Cast Aluminum  
Insert: Machined Aluminum



CPI-400-30-SA SHOWN



CPI-“ L ”-30-SA SWIVEL ARM				
“ L ”	“ A ”	“ B ”	“ C ”	Weight
400	103.8 [4.09]	95.1 [3.74]	142.5 [5.61]	.35 kg [.75 lb]
500	132.8 [5.26]	126.0 [4.96]	172.7 [6.80]	.39 kg [.88 lb]
600	151.7 [5.97]	146.0 [5.75]	192.5 [7.58]	.48 kg [1.06 lb]
700	170.6 [6.72]	165.4 [6.51]	212.1 [8.35]	.51 kg [1.13 lb]
800	209.7 [8.26]	205.5 [8.09]	252.2 [9.93]	.58 kg [1.25 lb]

Dimensions and technical information are subject to change without notice



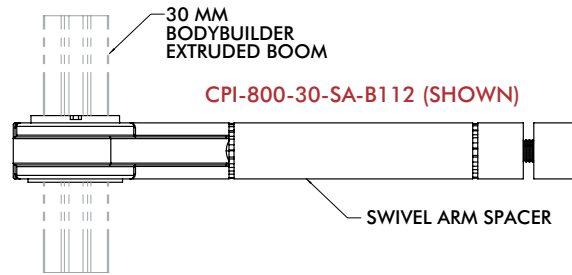
# BODYBUILDER™ SWIVEL ARMS

BodyBuilder™ Octagonal Tooling | Dimensions | Technical Specifications

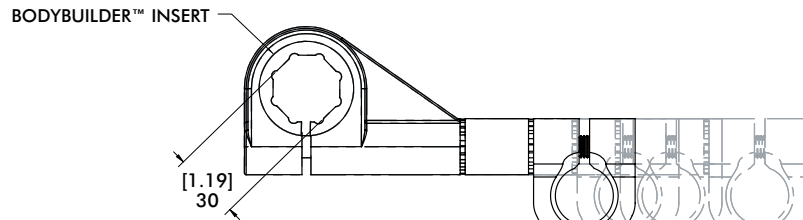
## 30-SA-B112 30mm Swivel Arms for Swivel Ball Mount Accessories



CPI-500-30-SA-B112 (SHOWN)



CPI-800-30-SA-B112 (SHOWN)

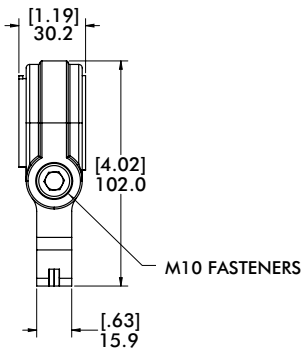


CPI-500-30-SA-B112

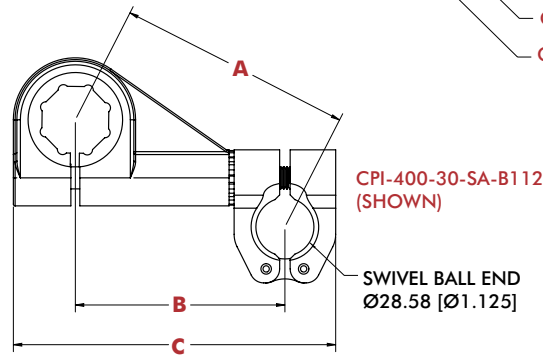
CPI-800-30-SA-B112

CPI-700-30-SA-B112

CPI-600-30-SA-B112

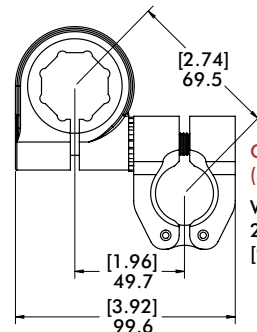


M10 FASTENERS



CPI-400-30-SA-B112 (SHOWN)

SWIVEL BALL END  
Ø28.58 [Ø1.125]



CPI-50-30-SA-B112 (SHOWN)

WEIGHT:  
280 g  
[9.9 oz]



CPI-" L "-30-SA-B112 SWIVEL ARM				
" L "	" A "	" B "	" C "	Weight
400	106.7 [4.20]	95.0 [3.74]	146.1 [5.75]	.40 kg [.88 lb]
500	135.0 [5.32]	126.0 [4.96]	177.1 [6.97]	.46 kg [1.00 lb]
600	153.7 [6.05]	145.8 [5.74]	196.9 [7.75]	.49 kg [1.06 lb]
700	172.3 [6.78]	165.4 [6.51]	216.5 [8.52]	.53 kg [1.19 lb]
800	211.1 [8.31]	205.5 [8.09]	256.6 [10.10]	.60 kg [1.31 lb]

Dimensions and technical information are subject to change without notice