

RDN/RDC SERIES

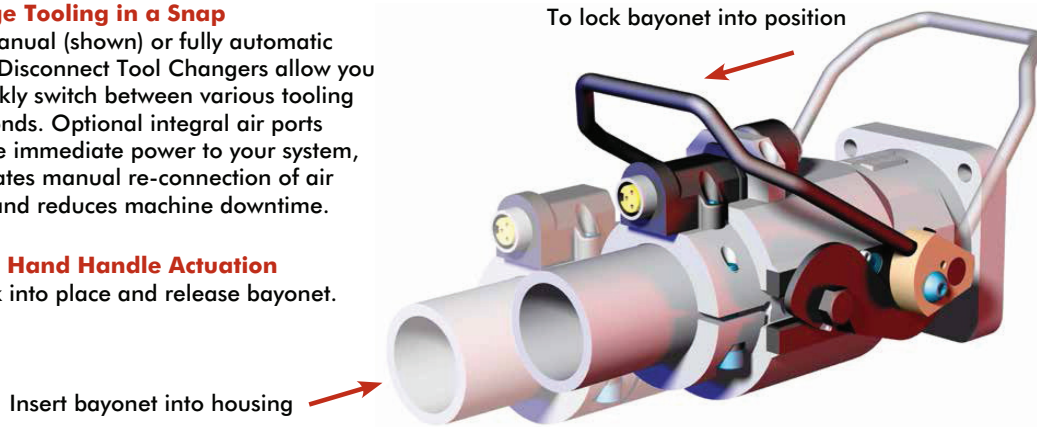
Table of Contents

Change Tooling in a Snap

Our manual (shown) or fully automatic Quick Disconnect Tool Changers allow you to quickly switch between various tooling in seconds. Optional integral air ports provide immediate power to your system, eliminates manual re-connection of air lines, and reduces machine downtime.

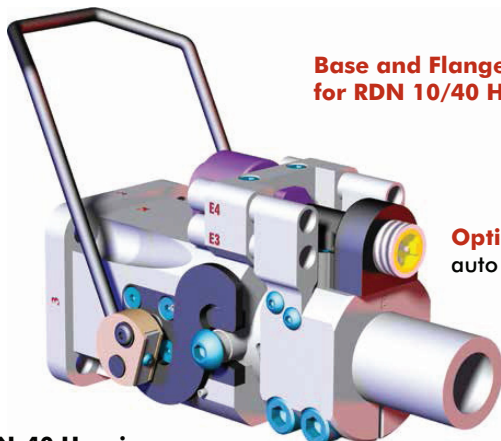
Single Hand Handle Actuation

To lock into place and release bayonet.



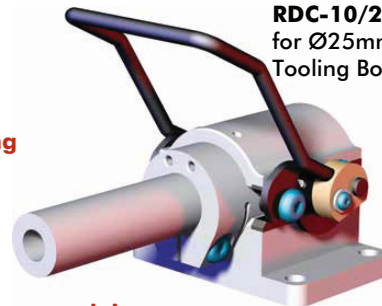
RDN/RDC Features

(Handle in release position)



Base and Flange mounting for RDN 10/40 Housing

(Handle in locking position)



**RDN-10 Housing
RDC-10/25M Bayonet**
for Ø25mm/1.00"(in)
Tooling Boom/Tubes

Optional air port modules
auto disconnect when handle is released

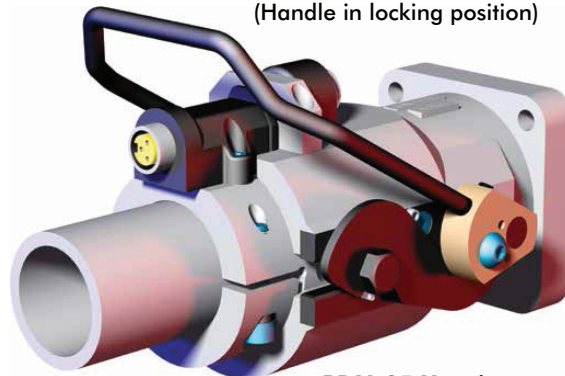
**RDN-40 Housing
RDC-40/15 Bayonet**
for Ø40mm/1.50"(in)
Tooling Boom/Tubes

Internal urethane bumpers
ensures a tight interface between
the robot and tool sides

Air & electrical connections
stay properly sequenced when tool is removed.

Additional electrical connectors available
RDN-40 and RDH electrical connectors must be
ordered separately from Housing/Bayonet.

(Handle in locking position)



**RDN-25 Housing
RDC-60/25 Bayonet**
for Ø60mm/2.50"(in)
Tooling Boom/Tubes

Dimensions and technical information are subject to change without notice

BAYONETS FOR MANUAL TOOL CHANGERS

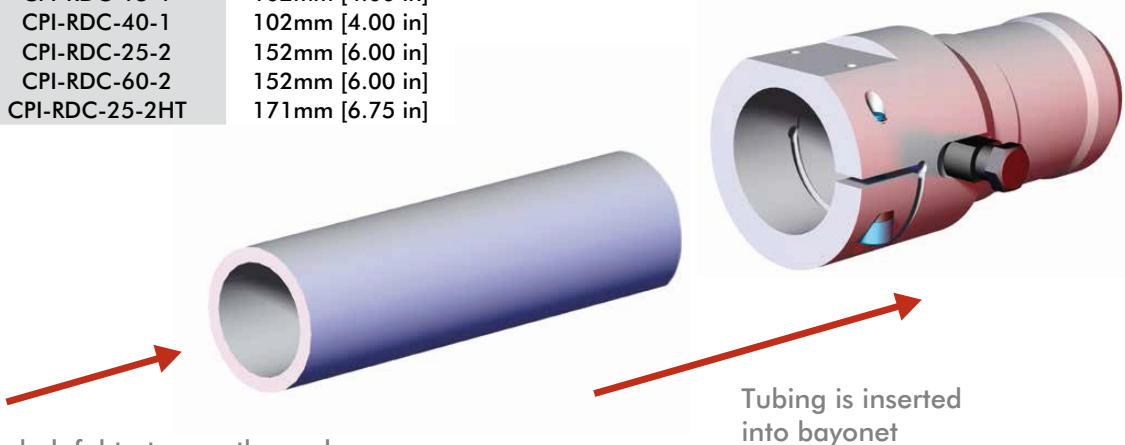
Manual Tool Changers | Bayonet & Boom Assembly Procedure | Product Overview

Overview:

The internal surface of the bayonet is tapered to lock the tubing in the position during hi-torque operations. Tubing must be inserted the proper distance to completely engage the taper.

Procedure:

Part Number	Depth
CPI-RDC-10-1	70mm [2.75 in]
CPI-RDC-25M-1	70mm [2.75 in]
CPI-RDC-15-1	102mm [4.00 in]
CPI-RDC-40-1	102mm [4.00 in]
CPI-RDC-25-2	152mm [6.00 in]
CPI-RDC-60-2	152mm [6.00 in]
CPI-RDC-25-2HT	171mm [6.75 in]



It is helpful to tap on the end of the tubing with a mallet until the tubing is seated firmly against the taper

Dimensions and technical information are subject to change without notice

RDN-10 DISCONNECT HOUSINGS

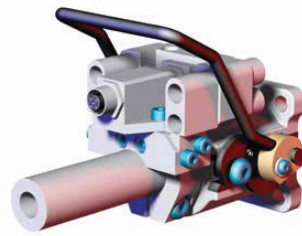
Manual Tool Changers | Flange Style Housing for RDC-10 Series Bayonets | Product Overview

Features:

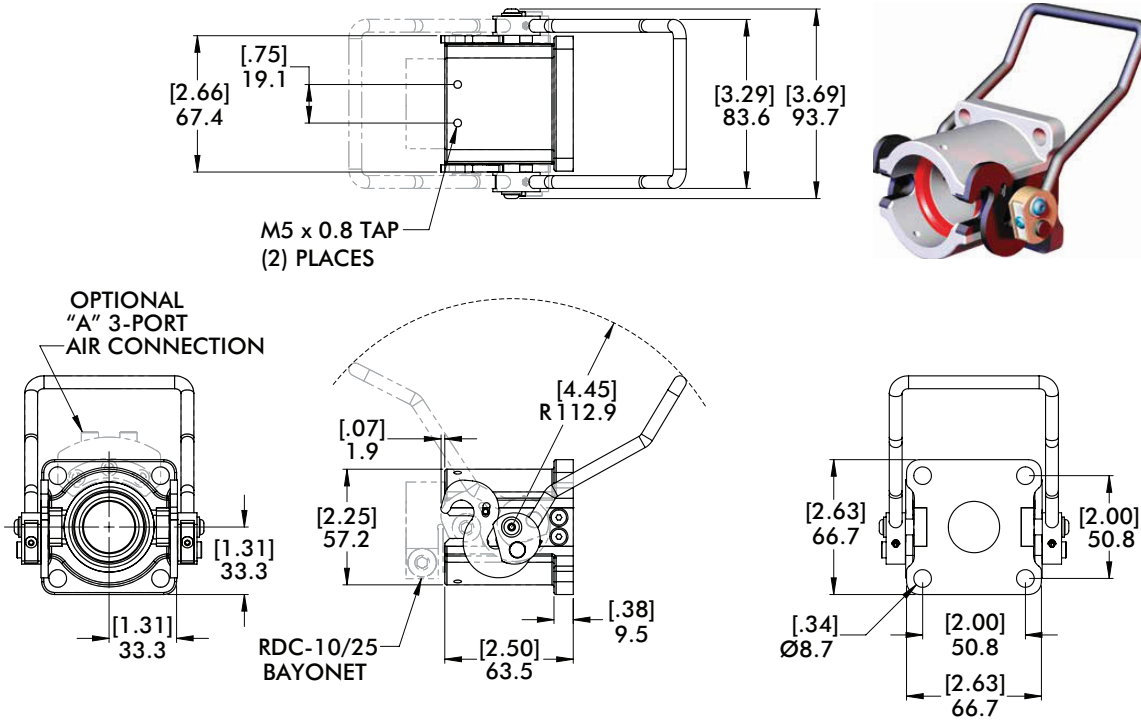
- 50.8mm [2.00 in.] Sq. Flange Mntg.
- Steel handle actuation allows quick and accurate installation, pulling the bayonet into a fixed position within the housing. This action also engages optional air and electric connectors
- Internal urethane rings eliminate vibration and seat the bayonet securely

Specifications:

Max. Static Product Load:
47 N*m [35 ft-lb]
Material:
Body: Aluminum
Knuckles: Brass
Handle and Hooks: Steel
Inserts: Urethane
Weight:
0.63 kg [1.4 lb]



Dimensions



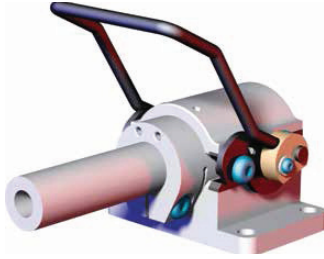
How To Order

	Model	Mounting	Air Port Connection	Electrical Connection
CPI	RDN-10	1F	4AS	5E
	"RDN-10" Ø25mm/1.00" Quick Disconnect Housing	"1F" Flange Type Mounting	"A" (3-Port Connector) "5A" (5-Port Connector) "4AS" (4-Port Connector) (Leave blank for No Options)	"5E" (5-Pin Connector) (Only available for "4AS" Option)

Dimensions and technical information are subject to change without notice

RDN-10 HOUSINGS

Manual Tool Changers | Base Mount Style for RDC-10 Series Bayonets | Product Overview



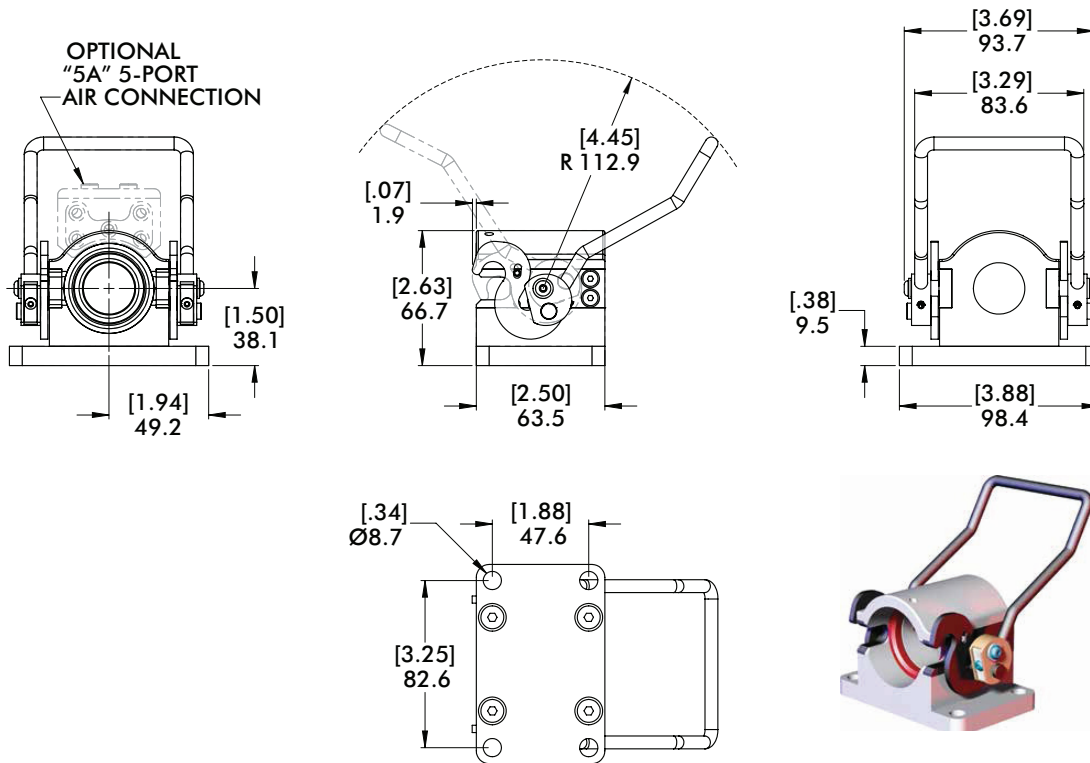
Specifications:

Max. Static Product Load: 47 N*m [35 ft-lb]
Material: Aluminum
Knuckles: Brass
Handle and Hooks: Steel
Inserts: Urethane
Weight: 0.82 kg [1.8 lb]

Features:

- 47.6mm x 82.6mm [1.88 in. x 3.25 in.] Base Mounting.
- Steel handle actuation allows quick and accurate installation, pulling the bayonet into a fixed position within the housing. This action also engages optional air and electric connectors
- Internal urethane rings eliminate vibration and seat the bayonet securely

Dimensions



How To Order

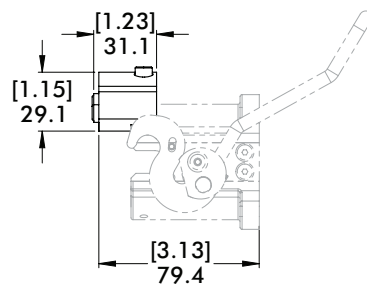
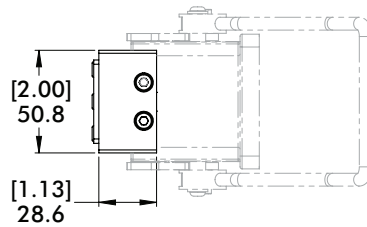
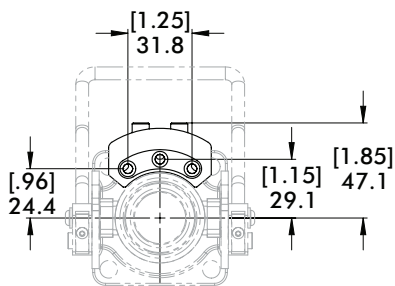
	Model	Mounting	Air Port Connection	Electrical Connection
CPI	RDN-10	1B	4AS	5E
	 "RDN-10" Ø25mm/1.00" Quick Disconnect Housing	 "1B" Base Type Mounting	 "A" (3-Port Connector) "5A" (5-Port Connector) "4AS" (4-Port Connector) (Leave blank for No Options)	 "5E" (5-Pin Connector) (Only available for "4AS" Option)

Dimensions and technical information are subject to change without notice

AIR MANIFOLDS

Manual Tool Changers | RDN-10 Disconnect Series | Dimensions

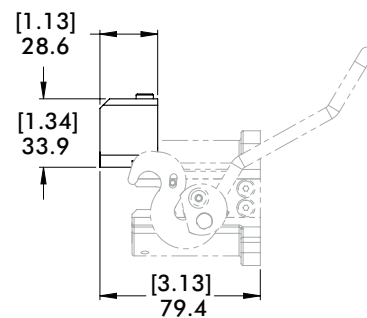
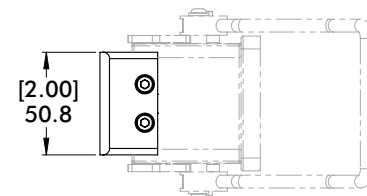
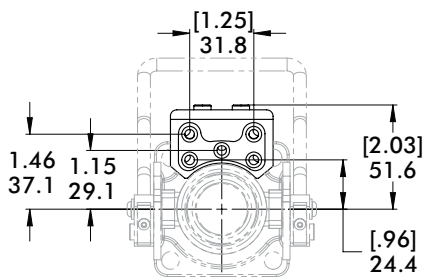
1A 3-Port Air Connection



REPLACEMENT PART

RDN-10-8

5A 5-Port Air Connection



REPLACEMENT PART

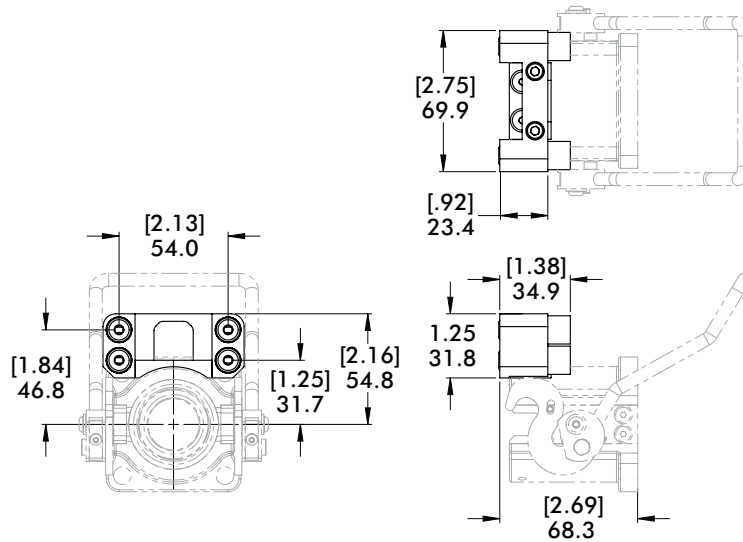
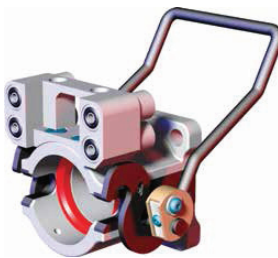
RDN-10-9

Dimensions and technical information are subject to change without notice

AIR MANIFOLDS WITH OR WITHOUT ELECTRICAL CONNECTIONS

Manual Tool Changers | RDN-10 Disconnect Series | Dimensions

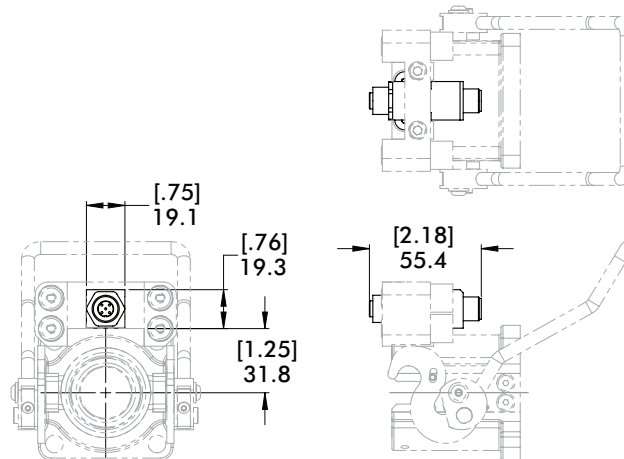
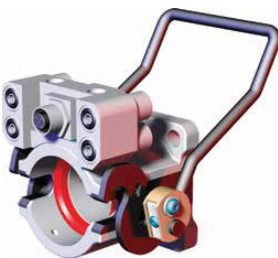
4AS 4-Port Air Connection with Shutoff



REPLACEMENT PART
CPI-RDN-10-4AS

Air fittings
(4) Needed
RDN-AS-U18

5E 5-Pin Micro Electric Connection



See Page 17 for
Pin Configuration

REPLACEMENT PART
CPI-RDH-F5S-5MCM

Dimensions and technical information are subject to change without notice

RDC-10/25 SERIES BAYONETS

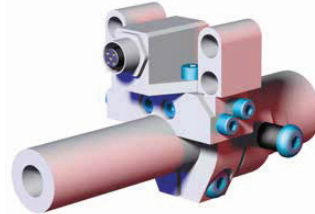
Manual Tool Changers | 25mm or 1.0" Booms | Product Overview

Features:

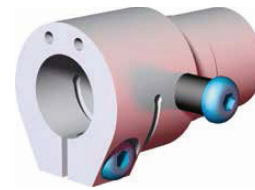
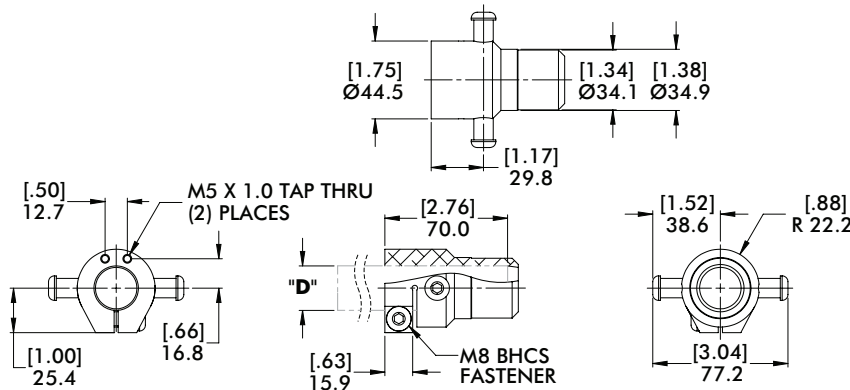
- Used in conjunction with the Quick Disconnect Housing to provide efficient mode of changing tools manually.
- (2) Hardened alignment pins allows quick and accurate installation into the bayonet.

Specifications:

Max. Static Product Load:
47 N*m [35 ft-lb]
Material:
Body: Aluminum
Pins: Steel
Weight:
0.23 kg [0.5 lb]



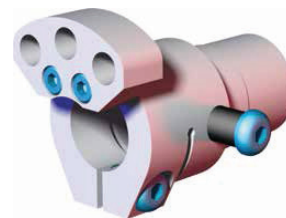
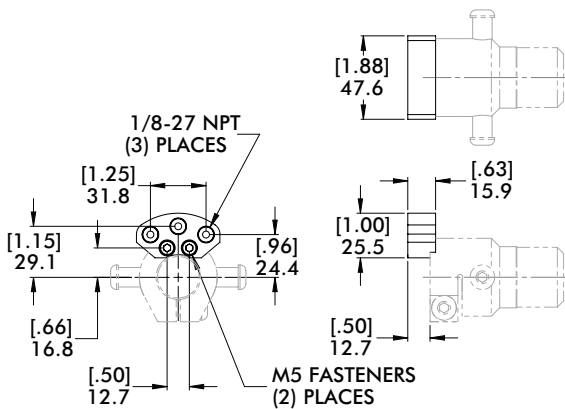
Dimensions



How To Order

CPI	Model	Boom/Tube (Ø) "D"	Air Port Connection	Electrical Connection
	RDC	10	4AS	5E
	"RDC" Quick Disconnect Bayonet	"10" 1.00"(in) "25M" 25mm	"1" "1A" "5A" "4AS" "1-4AS"	"5E" (5-Pin Connector) (Only available for "4AS or 1-4AS" Options)
			No Options (3-Port Connector) (5-Port Connector) (4-Port Connector-Imperial Only) (4-Port Connector-Metric Only)	

1A 3-Port Air Connection



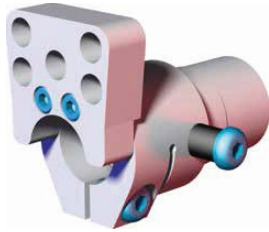
REPLACEMENT PART
RDC-10-3

Dimensions and technical information are subject to change without notice

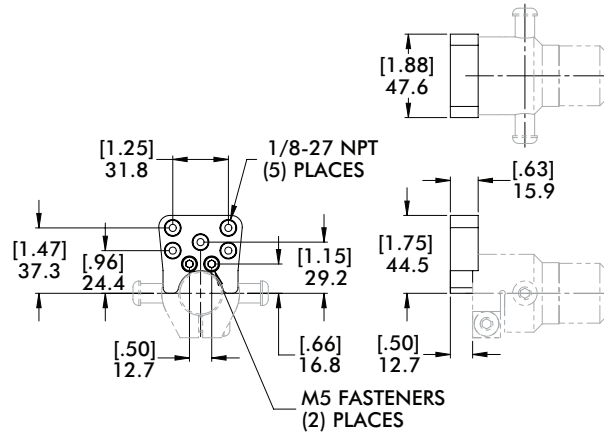
AIR MANIFOLDS WITH OR WITHOUT ELECTRICAL CONNECTIONS

Manual Tool Changers | RDC-10/25 Series Bayonets | Dimensions

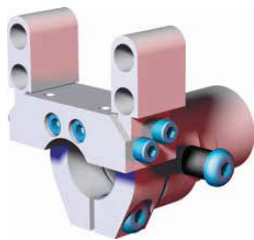
5A 5-Port Air Connection



REPLACEMENT PART
RDC-10-5

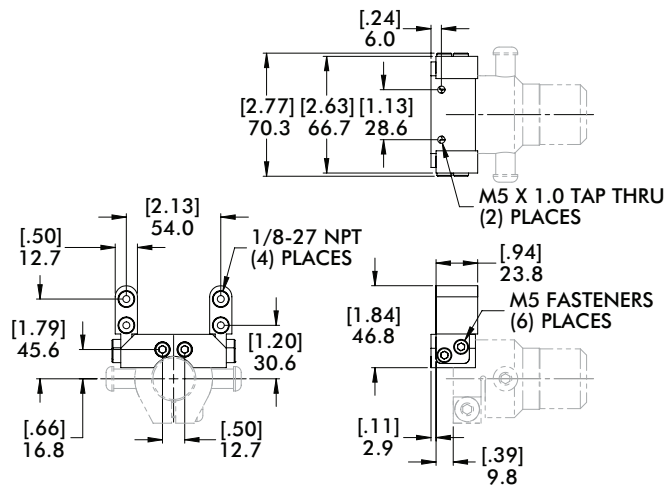


4AS 4-Port Air Connection with Shutoff

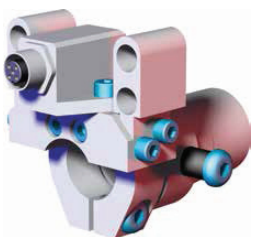


(2) Required

REPLACEMENT PART
RDC-10-4

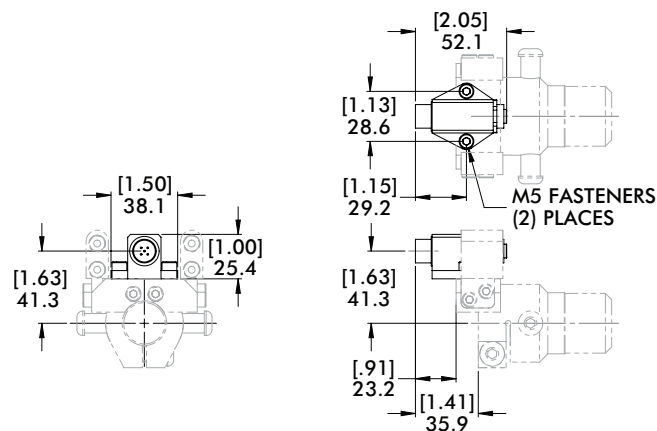


5E 5-Pin Micro Electric Connection



See Page 23 for Pin Configuration

REPLACEMENT PART
CPI-RDB-M5P-5MCF



Dimensions and technical information are subject to change without notice

RDN-40 DISCONNECT HOUSINGS

Manual Tool Changers | Flange Style Housing for RDC-40/150 Series Bayonets | Product Overview

Features:

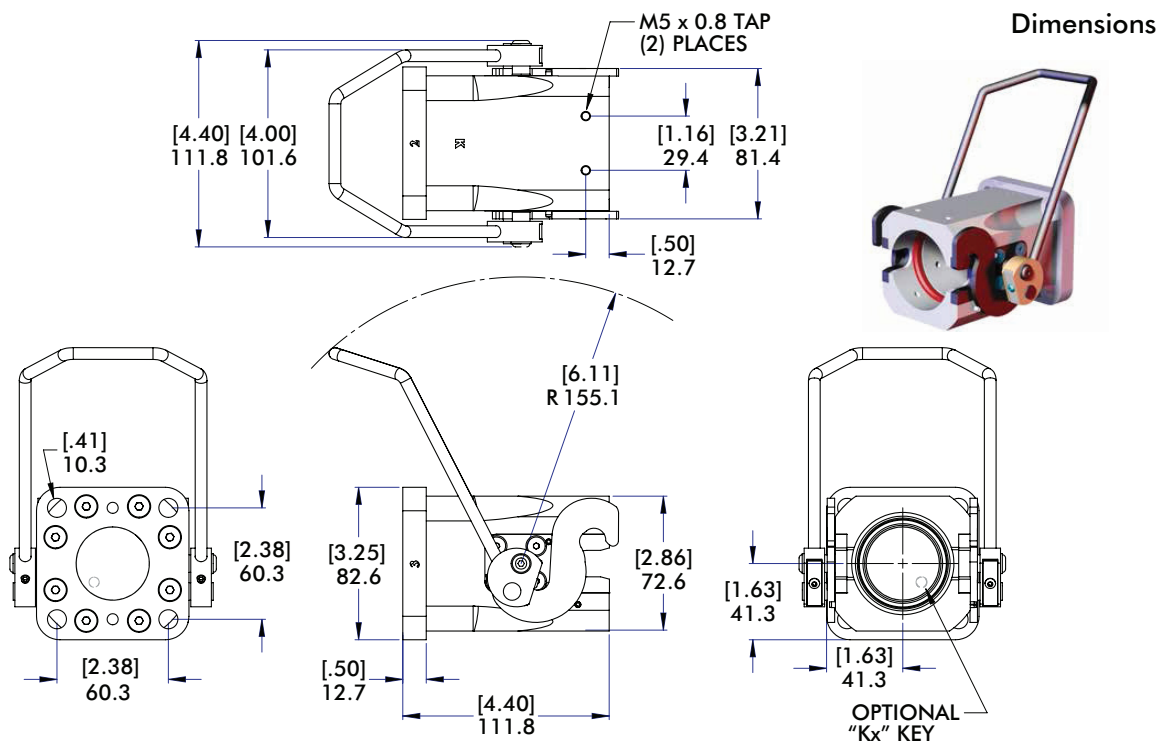
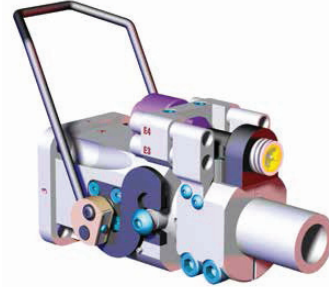
- 60.3mm [2.38 in.] Sq. Flange Mntg.
- Steel handle actuation allows quick and accurate installation, pulling the bayonet into a fixed position within the housing. This action also engages optional air and electric connectors.
- Internal urethane rings eliminate vibration and seat the bayonet securely.

Specifications:

Max. Static Product Load:
305 N*m [225 ft-lb]

Material:
Body: Aluminum
Knuckles: Brass
Handle and Hooks: Steel
Inserts: Urethane

Weight:
1.5 kg [3.3 lb]



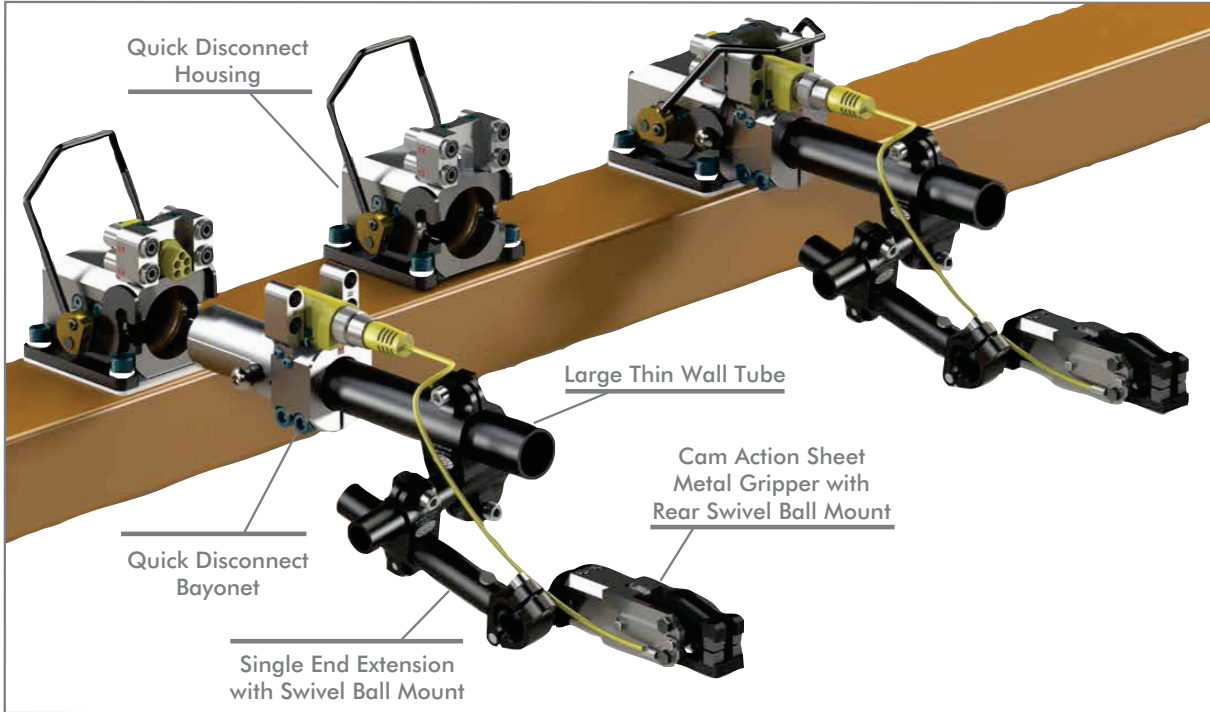
How To Order

						Add for "E4" or "E6" Air Port Connection Only
CPI	Model RDN-40	Mounting 1F	Air Port Connection S4	Key Posi- tion K2	Electrical Connection MC	HF
	"RDN-40" Ø40mm/1.50" Quick Disconnect Housing	"1F" Flange Type Mounting	"S4" (4-Port Internal) "E4" (4-Port External) "E6" (6-Port External) "SE4" (4-Port Int & Ext) (Leave blank for No Options)	"K1 (1-4)" "VWK (1-16)" (Leave blank for No Options)	"MC" (Micro 5-Pin) "MN" (Mini 3-Pin) (Leave blank for No Options)	

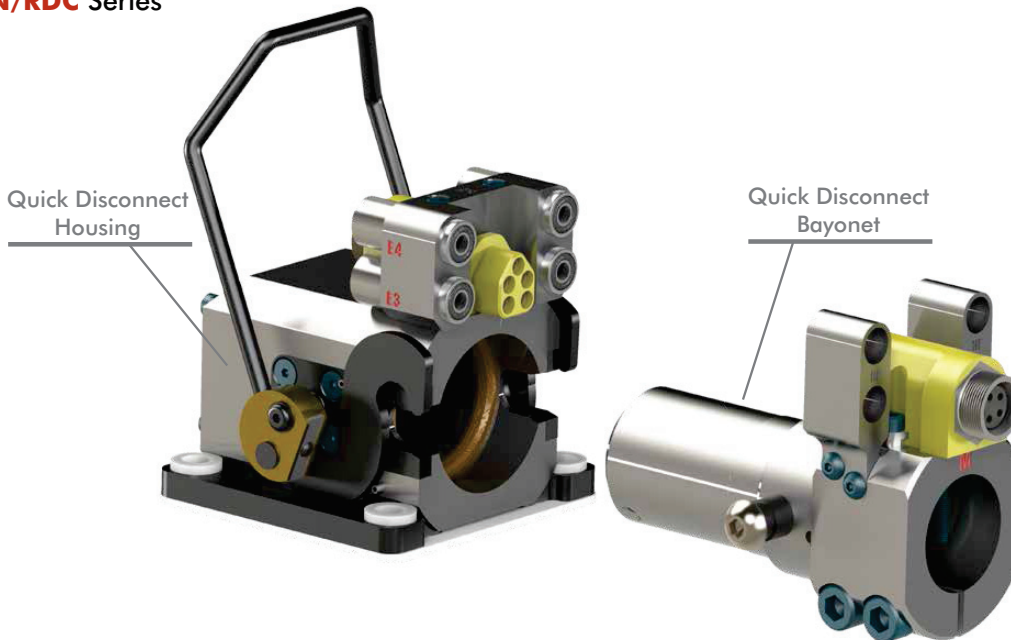
Dimensions and technical information are subject to change without notice

RDN-40 BASE MOUNT DISCONNECT HOUSINGS

Manual Tool Changers | Tri-Axis Rail Tooling Example



RDN/RDC Series

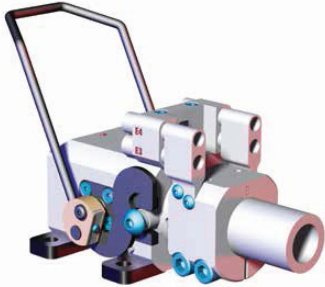


Model Number	Description
CPI-RDN-40-JB-E4-5MNM-HF-INS	Quick Disconnect Housing with 4-Port High Flow Air, 5-Pin Electric, Insulation
CPI-RDC-15-E4-5MNF-HF	Quick Disconnect Bayonet with 4-Port High Flow Air, 5-Pin Electric

Dimensions and technical information are subject to change without notice

RDN-40 DISCONNECT HOUSINGS

Manual Tool Changers | Base Mount Housing for RDC-40/150 Series Bayonets | Product Overview



Specifications:

Max. Static Product Load:
305 N*m [225 ft-lb]

Material:

Body: Aluminum
Knuckles: Brass
Handle and Hooks: Steel
Inserts: Urethane

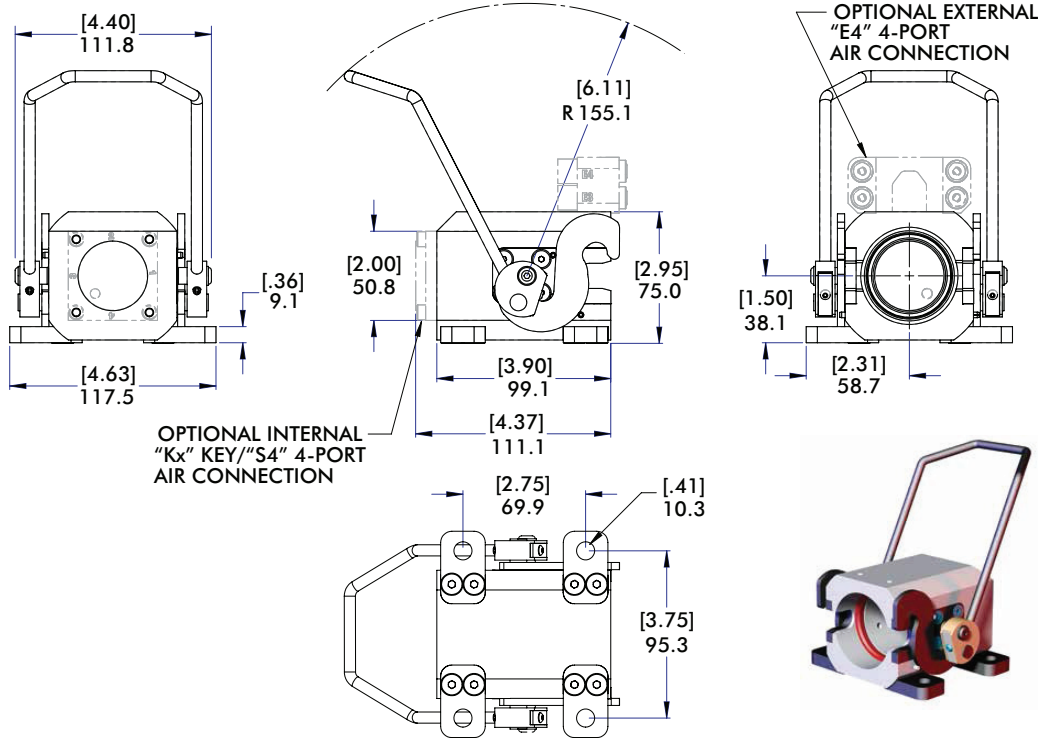
Weight:

1.4 kg [3.1 lb]

Features:

- 70mm x 95.3mm [2.75 in. x 3.75 in.] Base Mounting.
- Steel handle actuation allows quick and accurate installation, pulling the bayonet into a fixed position within the housing. This action also engages optional air and electric connectors.
- Internal urethane rings eliminate vibration and seat the bayonet securely.

Dimensions, How To Order



How To Order

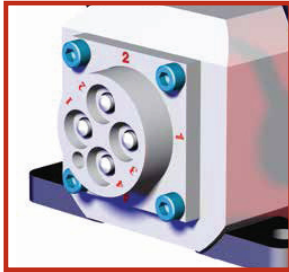
Model	Mounting	Air Port Connection	Key Position	Electrical Connection	
CPI — RDN-40	— 1B	— S4	— K2	— MC	— HF
 "RDN-40" Ø40mm/1.50" Quick Disconnect Housing	 "1B" Base Type Mounting	 "S4" "E4" "E6" "SE4" (Leave blank for No Options)	 "K (1-4)" "VWK (1-16)" (Leave blank for No Options)	 "MC" (Micro 5-Pin) "MN" (Mini 3-Pin) (Leave blank for No Options)	 Add for "E4" or "E6" Air Port Connection Only

Dimensions and technical information are subject to change without notice

TOOLING ERROR PROOF KEY AND AIR PORTS

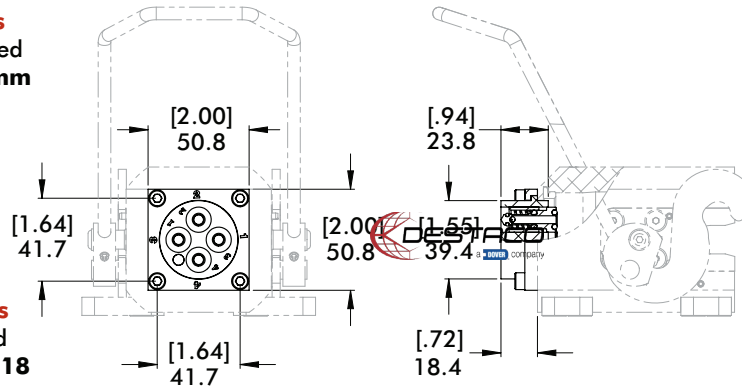
Manual Tool Changers | RDN-40 Flange Mount Disconnect Housings | Dimensions

S4 4-Port Internal Air Connection for Base Style Mounting



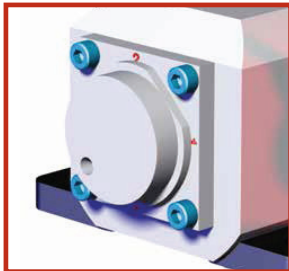
Dowels
(1) Needed
M6 x 25mm

Air fittings
(4) Needed
RDN-SAS-U18

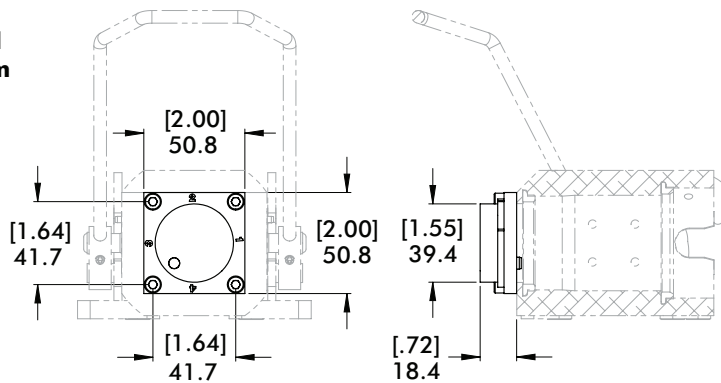


REPLACEMENT PART
RDN-40-10-IAB

Kx Locating Key for Base Style Mounting

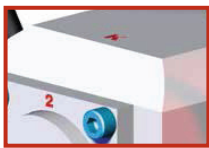


Dowels
(1) Needed
M6 x 25mm

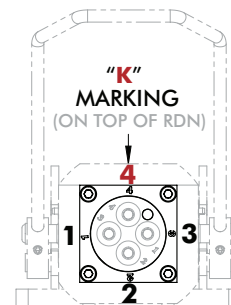
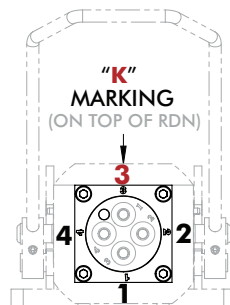
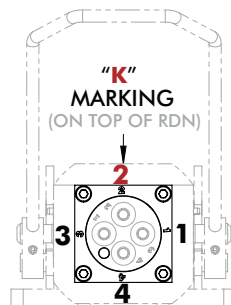
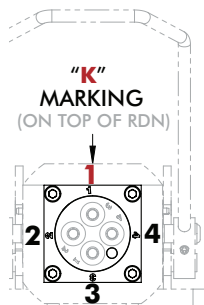


REPLACEMENT PART
RDN-40-10-IKB

S4 and Kx Internal Key Position for Base Style Mounting



BASE MOUNT RING
(1) Needed
RDN-40-3-MR

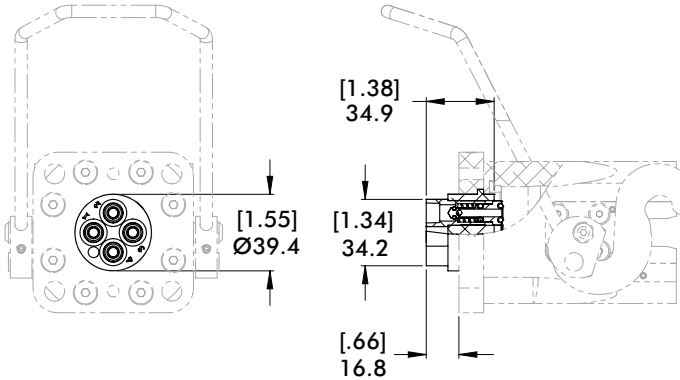


Dimensions and technical information are subject to change without notice

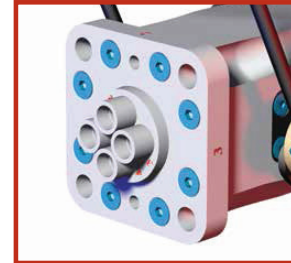
TOOLING ERROR PROOF KEY AND AIR PORTS

Manual Tool Changers | RDN-40 Flange Mount Disconnect Housings | Mounting

S4 4-Port Internal Air Connection for Flange Style Mounting



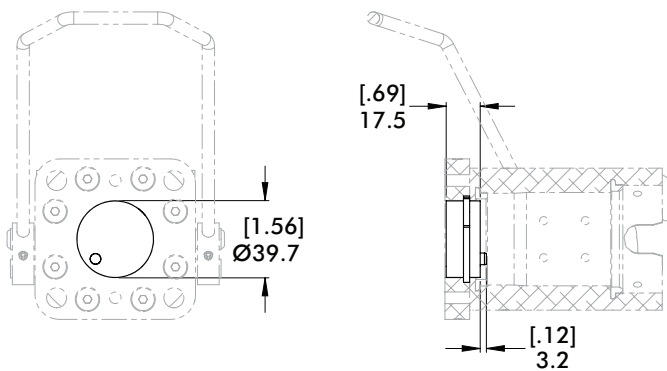
Dowels
(1) Needed
M6 x 25mm



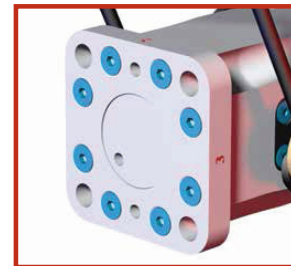
Air fittings
(4) Needed
RDN-AS-U18

REPLACEMENT PART
RDN-40-10-IAB

Kx Locating Key for Flange Style Mounting

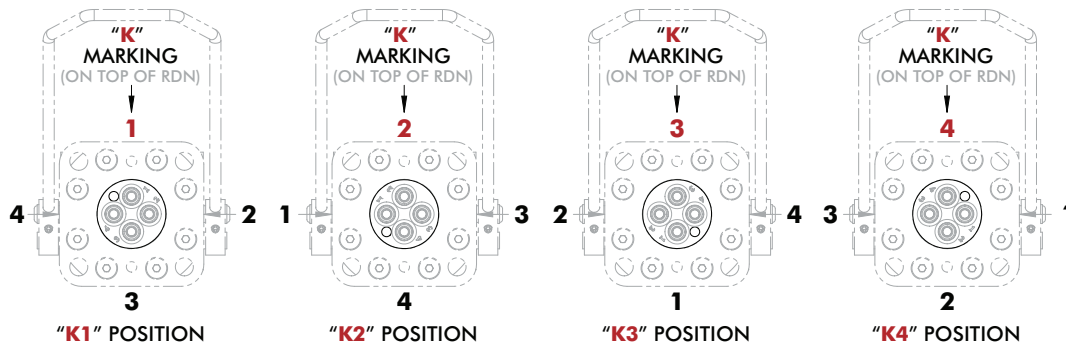
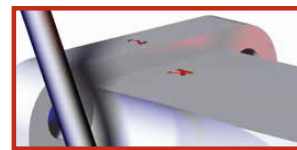


Dowels
(1) Needed
M6 x 25mm



REPLACEMENT PART
RDN-40-10-IKB

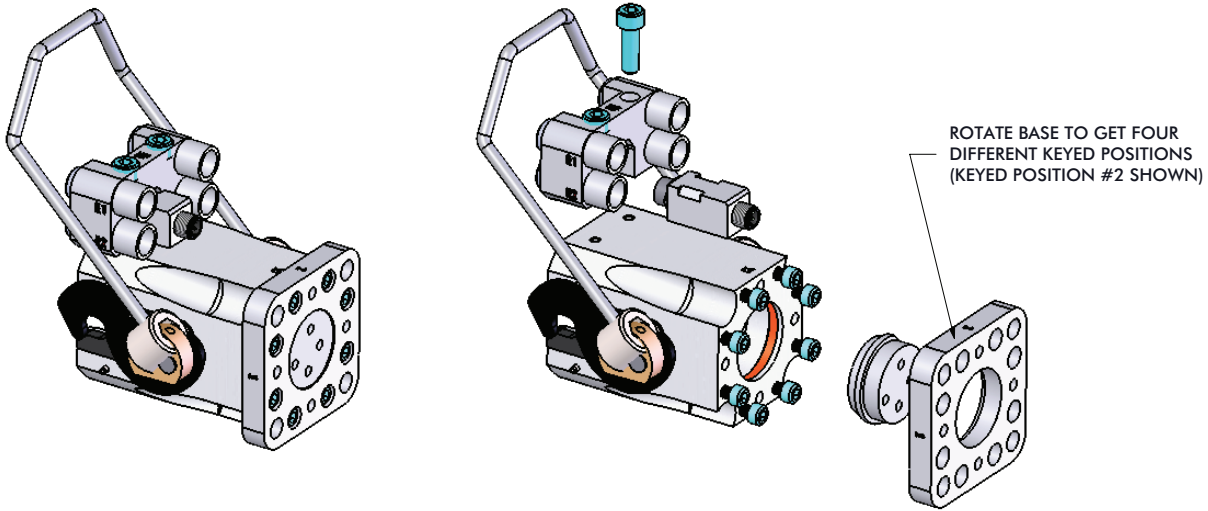
S4 and Kx Internal Key Position for Flange Style Mounting



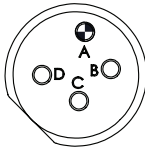
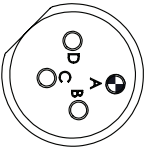
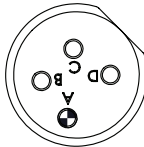
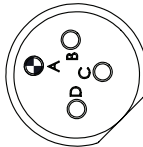
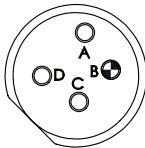
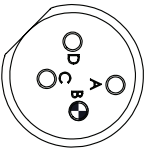
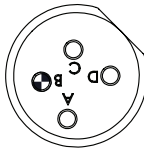
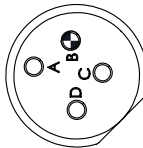
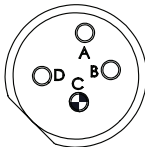
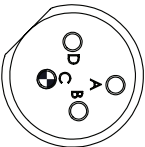
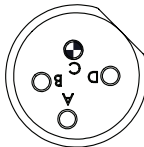
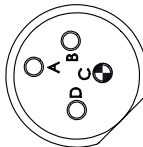
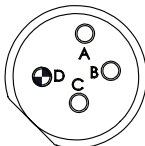
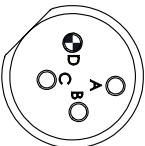
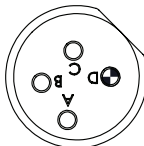
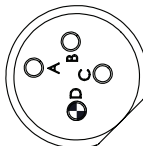
Dimensions and technical information are subject to change without notice

TOOLING ERROR PROOF KEY POSITIONS

Manual Tool Changers | Key Position Callout Chart



VIEWED FROM FRONT OF HOUSING

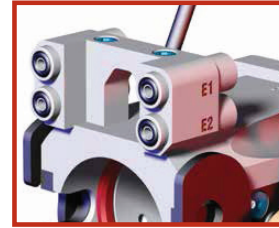
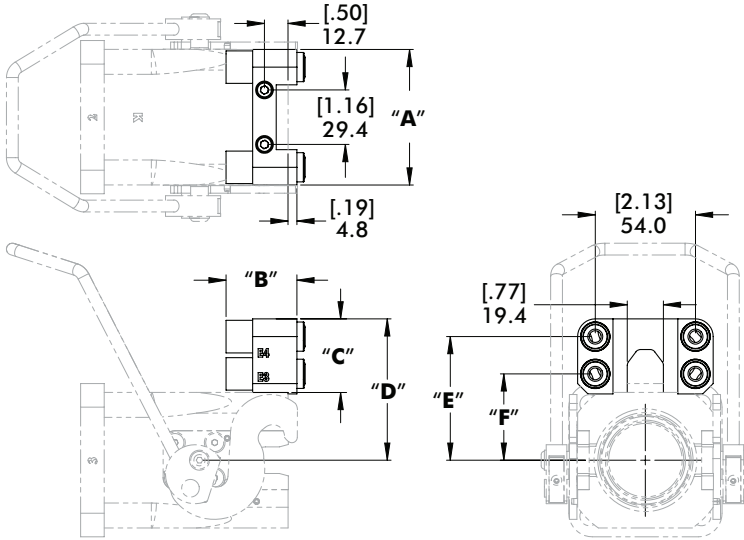
	POSITION #1	POSITION #2	POSITION #3	POSITION #4
DOWEL IN HOLE A				
	VWK1	VWK5	VWK9	VWK13
DOWEL IN HOLE B				
	VWK2	VWK6	VWK10	VWK14
DOWEL IN HOLE C				
	VWK3	VWK7	VWK11	VWK15
DOWEL IN HOLE D				
	VWK4	VWK8	VWK12	VWK16

Dimensions and technical information are subject to change without notice

AIR PORTS

Manual Tool Changers | RDN-40 Series Disconnect Housing | Dimensions

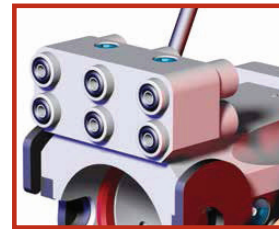
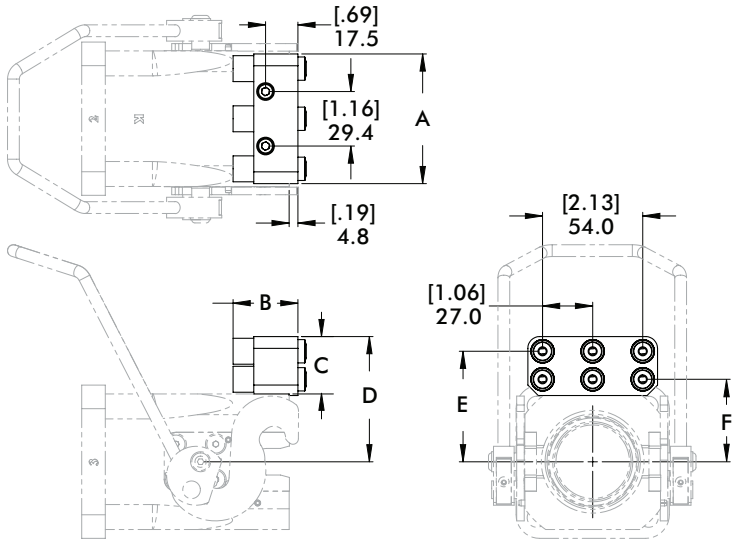
E4 4-Port External Air Connection



Air fittings
(4) Included
RDN-AS-U18-Standard
RDN-AS-U14-High Flow

ORDER OPTION	REPLACEMENT PART	"A"	"B"	"C"	"D"	"E"	"F"	WEIGHT
"E4" (Standard High Flow)	CPI-RDN-40-4AS-HF	[2.88] 73.0	[1.50] 38.1	[1.56] 39.6	[3.00] 76.1	[2.62] 66.6	[1.83] 46.5	[0.38 lb] 0.23 kg
(Replacement for "E4" Legacy Applications only)	CPI-RDN-40-4AS	[2.75] 69.9	[1.38] 34.9	[1.22] 31.0	[2.66] 67.5	[2.34] 59.5	[1.75] 44.4	[0.23 lb] 0.10 kg

E6 6-Port External Air Connection



Air fittings
(6) Included
RDN-AS-U18-Standard
RDN-AS-U14-High Flow

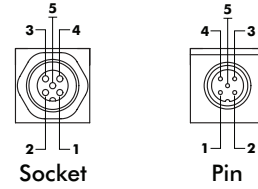
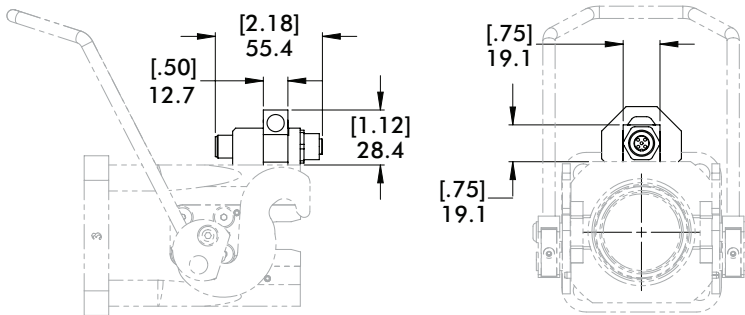
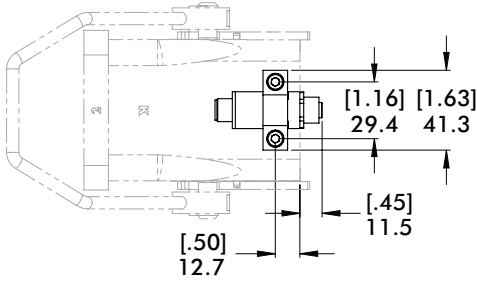
ORDER OPTION	REPLACEMENT PART	"A"	"B"	"C"	"D"	"E"	"F"	WEIGHT
"E6" (Standard High Flow)	CPI-RDN-40-10-6P-HF	[3.00] 76.2	[1.5] 38.1	[1.59] 40.5	[3.03] 76.9	[2.69] 68.3	[1.87] 47.5	[0.54 lb] 0.25 kg
(Replacement for "E6" Legacy Applications only)	RDN-40-10-6AS	[2.75] 69.9	[1.38] 34.9	[1.22] 31	[2.66] 67.5	[2.43] 59.5	[1.75] 44.4	[0.37 lb] 0.17 kg

Dimensions and technical information are subject to change without notice

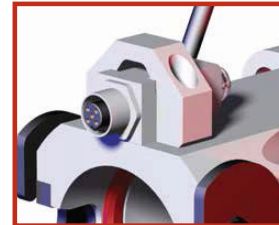
ELECTRICAL CONNECTIONS

Manual Tool Changers | RDN-40 Series Disconnect Housings | Dimensions

MC 5-Pin Micro Electric Connection

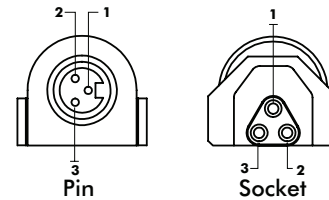
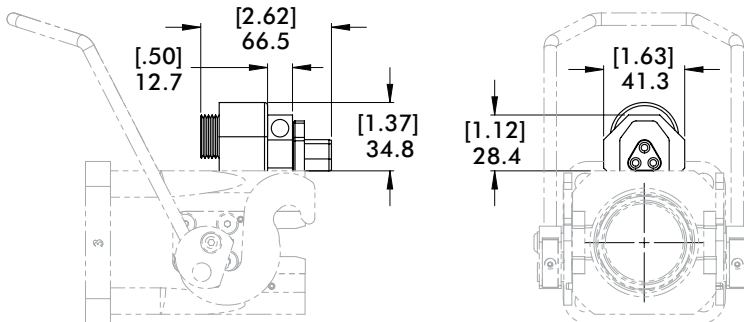
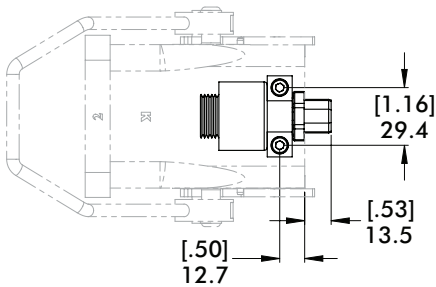


SOCKET #1	PIN #1
SOCKET #2	PIN #2
SOCKET #3	PIN #3
SOCKET #4	PIN #4
SOCKET #5	PIN #5



Part Number	
Plug & Strap	CPI-RDH-F5S-5MCM
Plug	RDH-F5S-5MCM
Strap	540-22005

MN 3-Pin Mini Electric Connection



SOCKET #1	PIN #1
SOCKET #2	PIN #2
SOCKET #3	PIN #3



REPLACEMENT PART	
CPI-TTH-F3S-3B3	

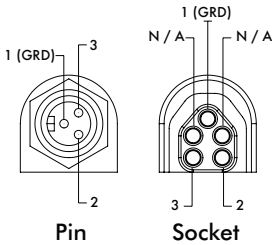
Dimensions and technical information are subject to change without notice

ELECTRICAL CONNECTIONS

Manual Tool Changers | RDN-40 Series Disconnect Housings | Dimensions

5-Pin Mini Electric Connection

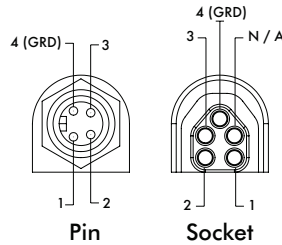
CPI-RDN-40-F5S-3MMM



SOCKET #1	GREEN	PIN #1
SOCKET #2	BLACK	PIN #2
SOCKET #3	WHITE	PIN #3
N / A		PIN #4
N / A		PIN #5

PLUG COLOR: BLACK

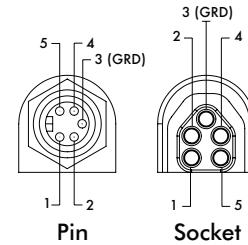
CPI-RDN-40-F5S-4MMM



SOCKET #1	BLACK	PIN #1
SOCKET #2	WHITE	PIN #2
SOCKET #3	RED	PIN #3
SOCKET #4	GREEN	PIN #4
N / A		PIN #5

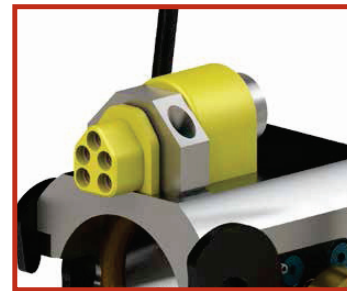
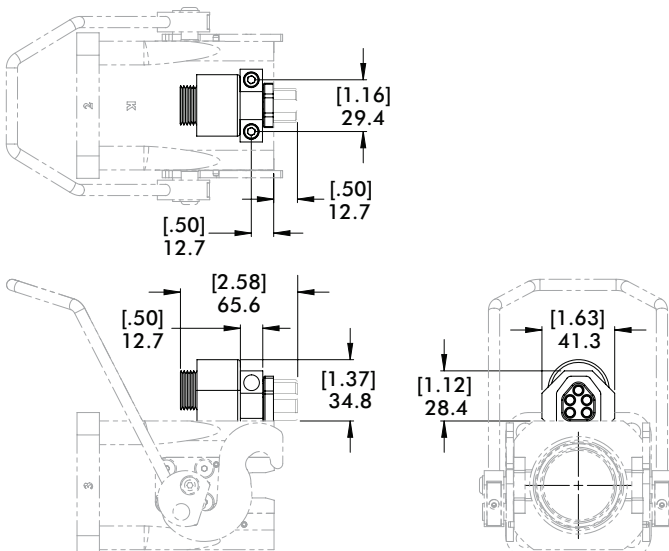
PLUG COLOR: GREEN

CPI-RDN-40-F5S-5MMM



SOCKET #1	WHITE	PIN #1
SOCKET #2	RED	PIN #2
SOCKET #3	GREEN	PIN #3
SOCKET #4	ORANGE	PIN #4
SOCKET #5	BLACK	PIN #5

PLUG COLOR: YELLOW

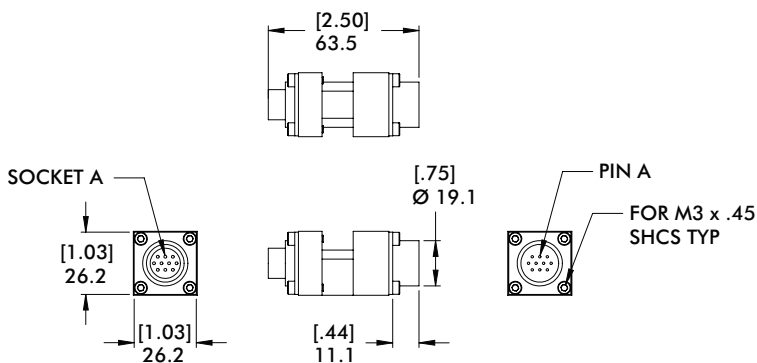


Strap not included

10-Pin Amphenol



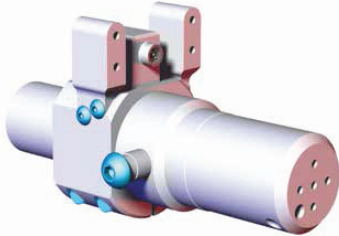
REPLACEMENT PART
CPI-RDN-40-5-10



Dimensions and technical information are subject to change without notice

RDC SERIES BAYONET

Manual Tool Changers | 40mm / 1.50" Diameter Booms | Product Overview



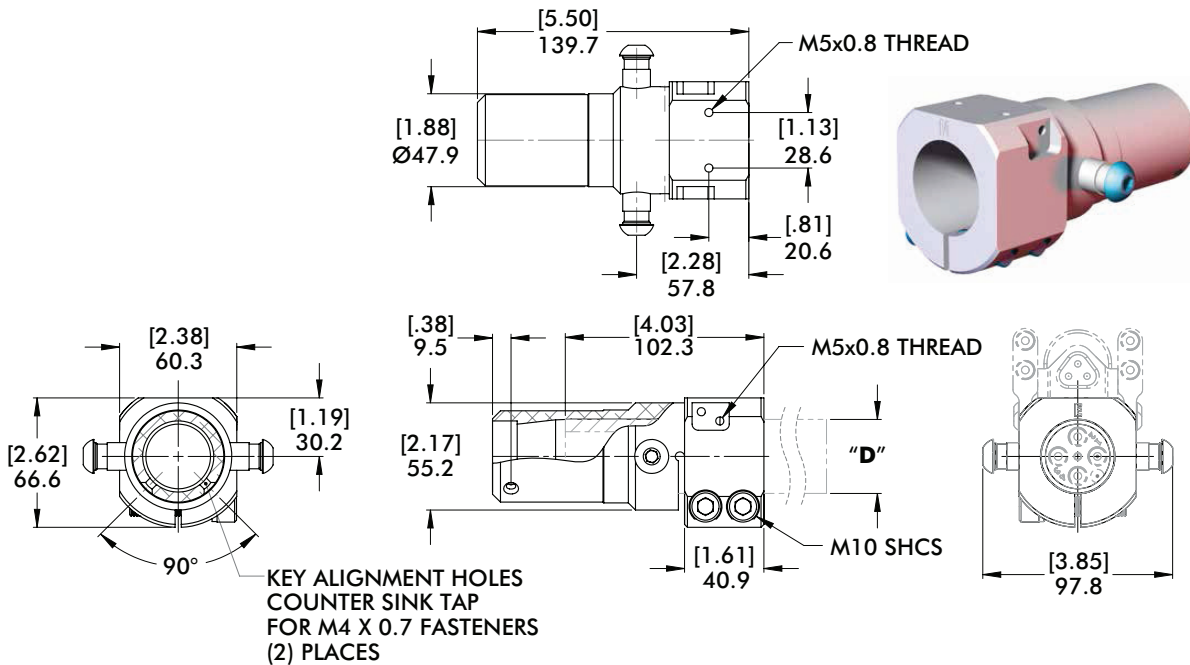
Features:

- Used in conjunction with the Quick Disconnect Housing to provide efficient mode of changing tools manually.
- (2) Hardened alignment pins allows quick and accurate installation into the housing.
- Optional internal key positioning prevents bayonet from being inserted in the wrong orientation.

Specifications:

Max. Static Product Load:
305 N*m [225 ft-lb]
Material:
Body: Aluminum
Pins: Steel
Weight:
0.69 kg [3.5 lb]

Dimensions



How To Order

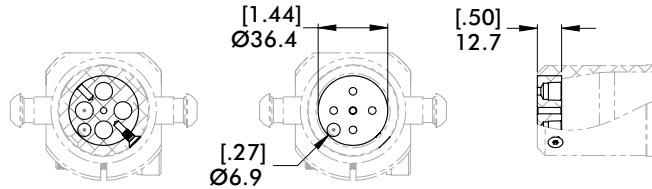
Model	Boom/Tube (Ø) "D"	Air Port Connection	Key Position	Electrical Connection	Add for "E4" or "E6" Air Port Connection Only
CPI - RDC	40	S4	K1	MC	HF
"RDC" Quick Disconnect Bayonet	"1510" 1.00" (in) "15" 1.50" (in) "40" 40mm Add "-1" after Boom/Tube (Ø) for No Options	"S4" (4-Port Internal) "E4" (4-Port External) "E6" (6-Port External) "SE4" (4-Port Int & Ext) (Leave blank for No Options)	"K (1-4)" "VWK (1-16)" (Leave blank for No Options)	"MC" (Micro 5-Pin) "MN" (Mini 3-Pin) (Leave blank for No Options)	

Dimensions and technical information are subject to change without notice

TOOLING ERROR PROOF KEYS

Manual Tool Changers | RDC-40/150 Series Bayonets | Dimensions

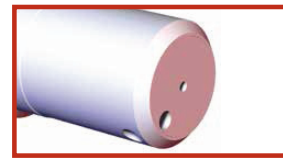
S4 4-Port Internal Air Connection and **Kx** Locating Key



"S4" 4-Port Internal Air Connection

REPLACEMENT PART

RDC-40-4-IAB

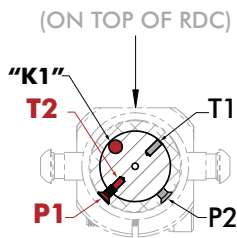


"Kx" Locating Key
(x) Refers to Position

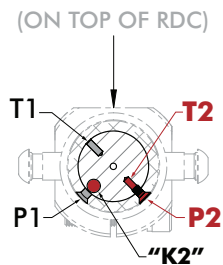
REPLACEMENT PART

RDC-40-4-IKB

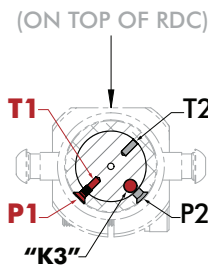
S4 and Kx Internal Key Position



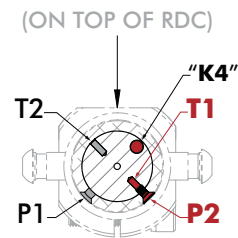
"K1" POSITION
FASTENER IN
(P1/T2)



"K2" POSITION
FASTENER IN
(P2/T2)



"K3" POSITION
FASTENER IN
(P1/T1)



"K4" POSITION
FASTENER IN
(P2/T1)

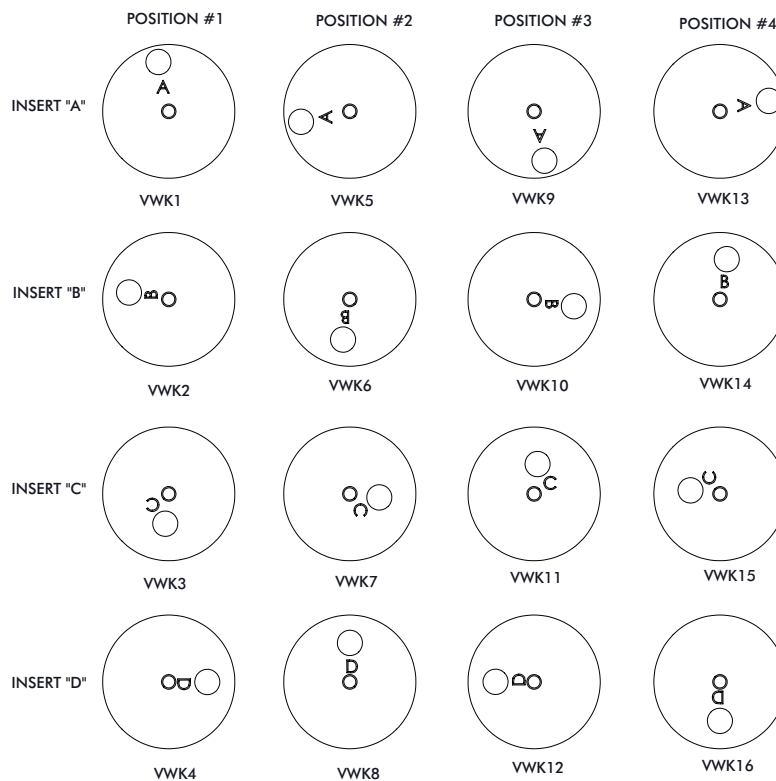


Dimensions and technical information are subject to change without notice

TOOLING ERROR PROOF KEY POSITIONS

Manual Tool Changers | RDC-40/150 Series Bayonets

ASSEMBLY #	KEY POSITION #	KEY BLOCK #	INSERT	POSITION
CPI-RDC-40-E4-VWK1-MC-HF	VWK1	RDC-40-4-IKB-16-KA1-4	A	1
CPI-RDC-40-E4-VWK2-MC-HF	VWK2	RDC-40-4-IKB-16-KB1-4	B	1
CPI-RDC-40-E4-VWK3-MC-HF	VWK3	RDC-40-4-IKB-16-KC1-4	C	1
CPI-RDC-40-E4-VWK4-MC-HF	VWK4	RDC-40-4-IKB-16-KD1-4	D	1
CPI-RDC-40-E4-VWK5-MC-HF	VWK5	RDC-40-4-IKB-16-KA1-4	A	2
CPI-RDC-40-E4-VWK6-MC-HF	VWK6	RDC-40-4-IKB-16-KB1-4	B	2
CPI-RDC-40-E4-VWK7-MC-HF	VWK7	RDC-40-4-IKB-16-KC1-4	C	2
CPI-RDC-40-E4-VWK8-MC-HF	VWK8	RDC-40-4-IKB-16-KD1-4	D	2
CPI-RDC-40-E4-VWK9-MC-HF	VWK9	RDC-40-4-IKB-16-KA1-4	A	3
CPI-RDC-40-E4-VWK10-MC-HF	VWK10	RDC-40-4-IKB-16-KB1-4	B	3
CPI-RDC-40-E4-VWK11-MC-HF	VWK11	RDC-40-4-IKB-16-KC1-4	C	3
CPI-RDC-40-E4-VWK12-MC-HF	VWK12	RDC-40-4-IKB-16-KD1-4	D	3
CPI-RDC-40-E4-VWK13-MC-HF	VWK13	RDC-40-4-IKB-16-KA1-4	A	4
CPI-RDC-40-E4-VWK14-MC-HF	VWK14	RDC-40-4-IKB-16-KB1-4	B	4
CPI-RDC-40-E4-VWK15-MC-HF	VWK15	RDC-40-4-IKB-16-KC1-4	C	4
CPI-RDC-40-E4-VWK16-MC-HF	VWK16	RDC-40-4-IKB-16-KD1-4	D	4

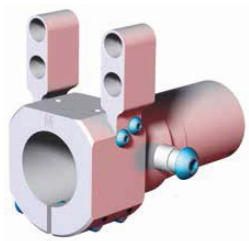


Dimensions and technical information are subject to change without notice

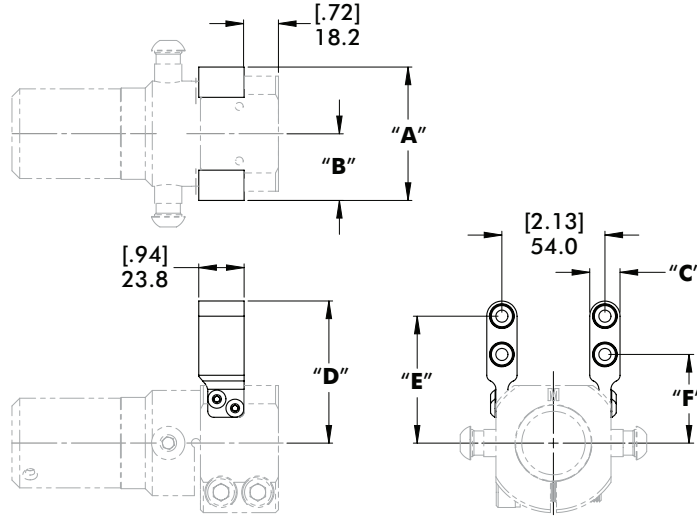
EXTERNAL AIR MANIFOLDS

Manual Tool Changers | RDC-40/150 Series Bayonets | Dimensions

4-Port External Air Connection

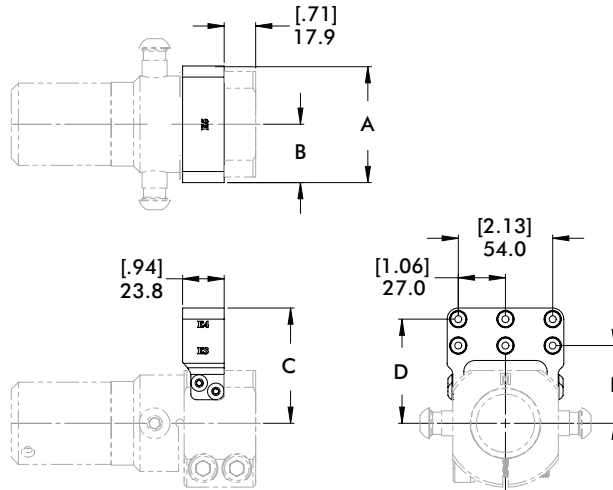
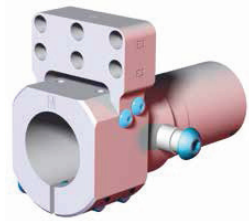


(2) Required



ORDER OPTION	REPLACEMENT PART	"A"	"B"	"C"	"D"	"E"	"F"	WEIGHT
"E4" (Standard High Flow)	CPI-RDC-40-4-HF	[2.75] 69.9	[1.38] 34.9	[1.56] 39.6	[3.00] 76.1	[2.62] 66.6	[1.83] 46.5	[2.90 lb] 1.32 kg
(Replacement for "E4" Legacy Applications only)	CPI-RDC-40-4	[2.63] 66.7	[1.30] 32.9	[1.22] 31.0	[2.66] 67.5	[2.34] 59.5	[1.75] 44.4	[2.89 lb] 1.31 kg

6-Port External Air Connection



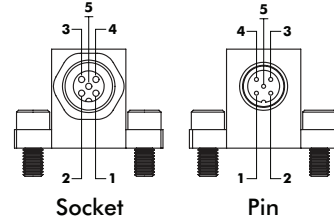
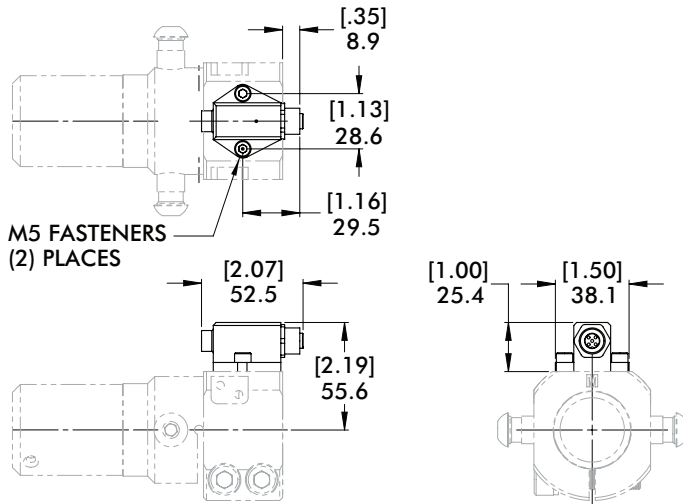
ORDER OPTION	REPLACEMENT PART	"A"	"B"	"C"	"D"	"E"
(Replacement for "E6" Legacy Applications only)	RDC-40-4-6PA	[2.61] 66.3	[1.31] 33.4	[2.59] 65.9	[2.34] 59.6	[1.75] 44.5
"E6" (Standard High Flow)	RDC-40-E6-HF	[2.75] 69.9	[1.38] 34.9	[3.12] 79.2	[2.62] 66.5	[1.83] 46.5

Dimensions and technical information are subject to change without notice

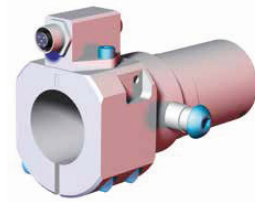
ELECTRICAL CONNECTORS

Manual Tool Changers | RDC-40/150 Series Bayonets | Dimensions

MC 5-Pin Micro Electric Connection

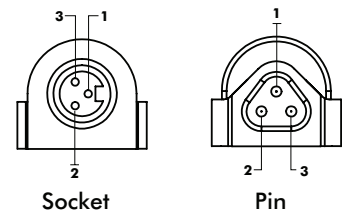
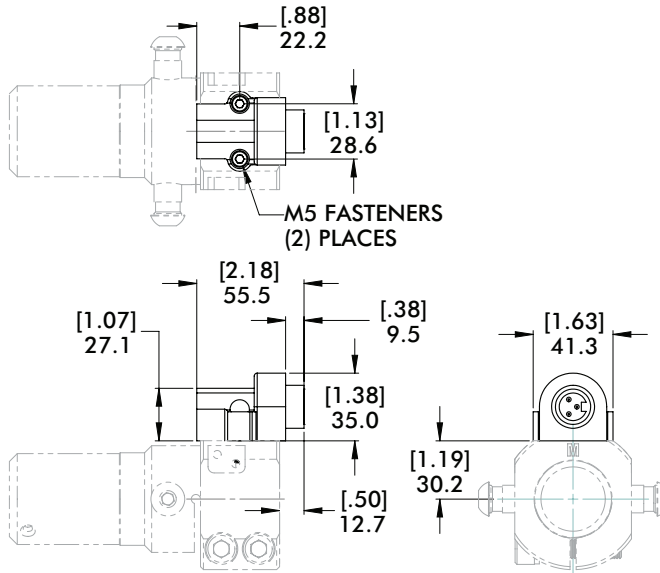


SOCKET #1	PIN #1
SOCKET #2	PIN #2
SOCKET #3	PIN #3
SOCKET #4	PIN #4
SOCKET #5	PIN #5

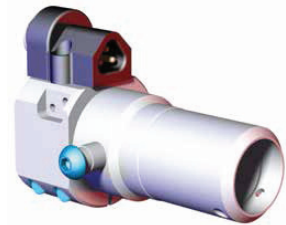


REPLACEMENT PART
CPI-RDB-M5P-5MCF

MN 3-Pin Mini Electric Connection



SOCKET #1	PIN #1
SOCKET #2	PIN #2
SOCKET #3	PIN #3



REPLACEMENT PART
CPI-TTB-M3P-3B3

Dimensions and technical information are subject to change without notice

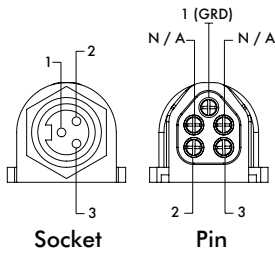
ELECTRICAL CONNECTORS

Manual Tool Changers | RDC-40/150 Series Bayonets | Dimensions

MNF 5-Pin Mini Electric Connection



CPI-RDC-40-M5P-3MNF

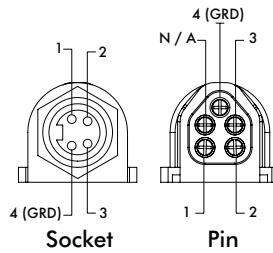


SOCKET #1	GREEN	PIN #1
SOCKET #2	BLACK	PIN #2
SOCKET #3	WHITE	PIN #3
		N / A
		N / A

PLUG COLOR: BLACK

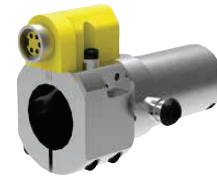


CPI-RDC-40-M5P-4MNF

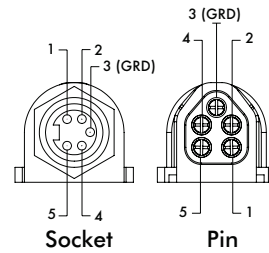


SOCKET #1	BLACK	PIN #1
SOCKET #2	WHITE	PIN #2
SOCKET #3	RED	PIN #3
SOCKET #4	GREEN	PIN #4
		N / A

PLUG COLOR: GREEN

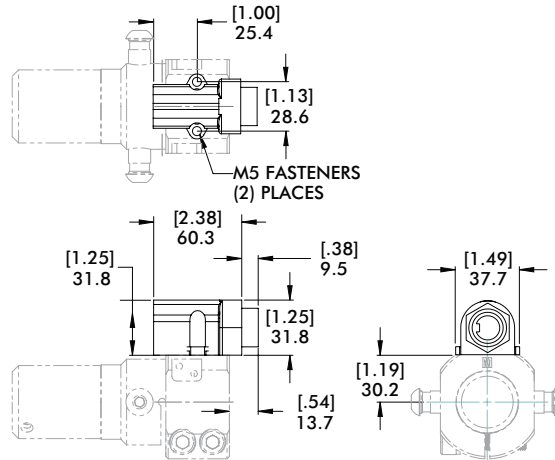


CPI-RDC-40-M5P-5MNF

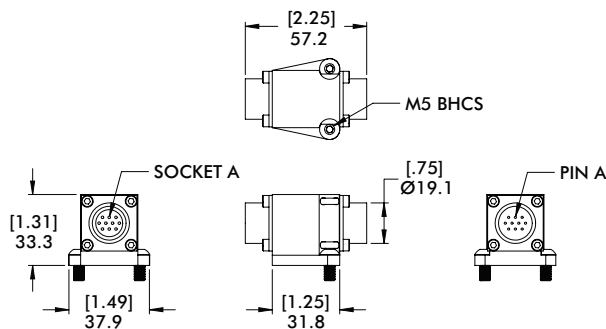


SOCKET #1	WHITE	PIN #1
SOCKET #2	RED	PIN #2
SOCKET #3	GREEN	PIN #3
SOCKET #4	ORANGE	PIN #4
SOCKET #5	BLACK	PIN #5

PLUG COLOR: YELLOW



10-Pin Electric Connection



REPLACEMENT PART

CPI-RDC-40-5-10

Dimensions and technical information are subject to change without notice

RDN-25 SERIES DISCONNECT HOUSING

Manual Tool Changers | Instructions for Inverting the Disconnect Locking Handle



Housing with handle in **Standard Position**

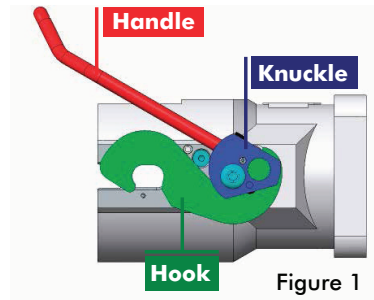
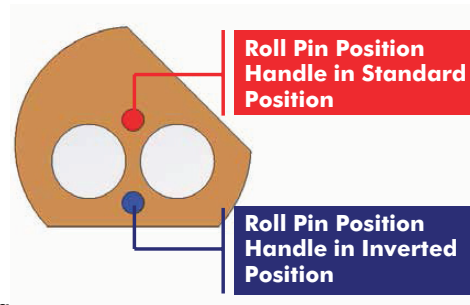


Figure 1

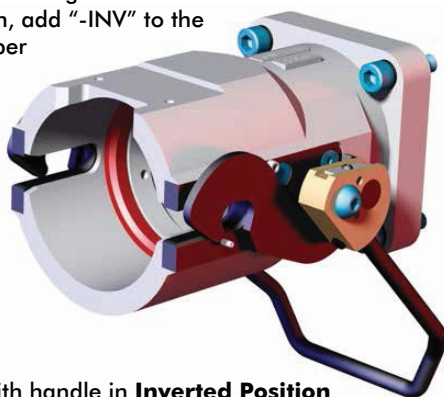
If the handle of the Quick Disconnect Housing interferes with other equipment, it can be inverted and accessed from below the housing. In the inverted position, the hooks and housing remain in the upright position.

1. Loosen the set screw at the base of the handle in each knuckle.
2. Unscrew the button head screw from each knuckle, then remove the handle. (See Figure 1)
3. Slide knuckles and hooks off the main body of the housing. (See Figure 1)
4. Slide hook off each knuckle.
5. Remove the roll pin in each knuckle and insert a 3/16 x 5/16 pin into the hole for the inverted handle position, as shown. (See Figure 2)
6. Rotate each knuckle 180° from previous position and reinstall the hooks. Return the knuckle/hook sub-assembly to the housing.
7. Reinstall handle in the inverted position and tighten set screws. (See Figure 3)

Figure 2 - Housing Knuckle



To order RDN-25 housing with handle in Inverted Position, add "-INV" to the end of order number



Housing with handle in **Inverted Position**

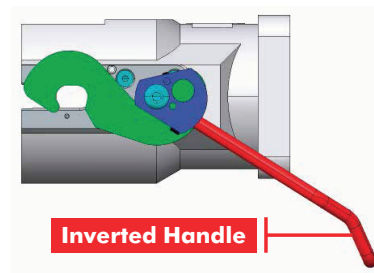


Figure 3

Dimensions and technical information are subject to change without notice

RDN-25 DISCONNECT HOUSING

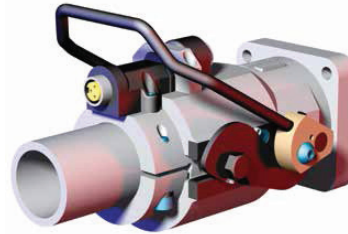
Manual Tool Changers | RDC-25/60 Series Bayonets | Product Overview

Features:

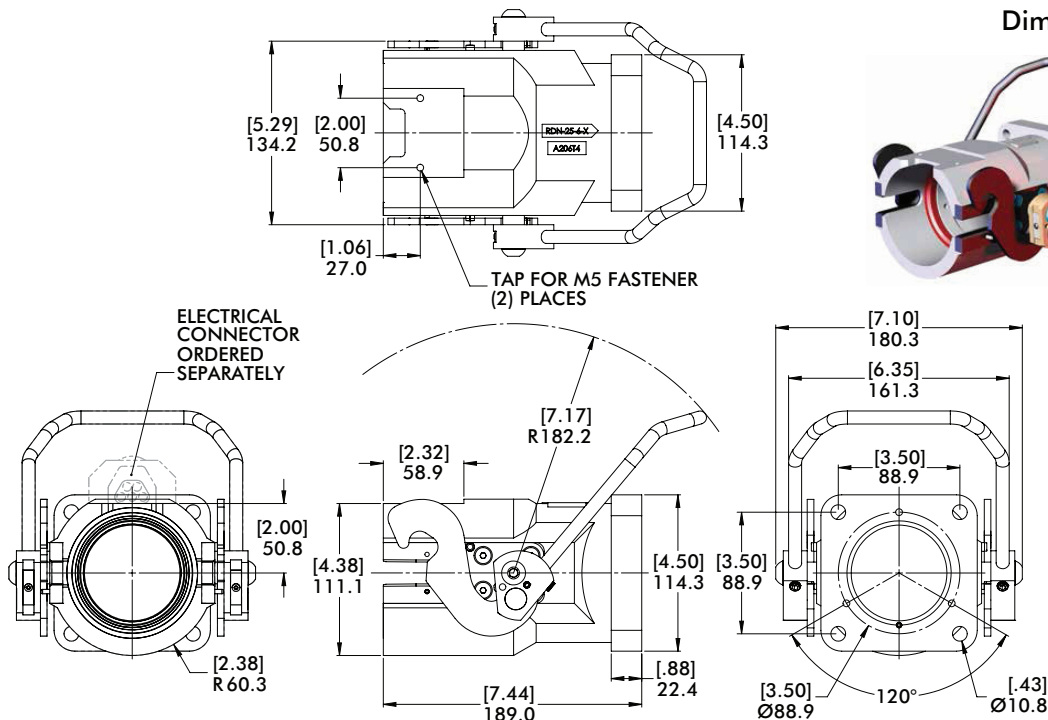
- 89mm [3.50 in.] Sq. Flange Mtng.
- Steel handle actuation allows quick and accurate installation, pulling the bayonet into a fixed position within the housing. This action also engages optional air and electric connectors.
- Internal urethane rings eliminate vibration and seat the bayonet securely.

Specifications:

Max. Static Product Load:
949 N*m [700 ft-lb]
Material:
Body: Aluminum
Knuckles: Brass
Handle and Hooks: Steel
Inserts: Urethane
Weight:
4.00 kg [8.90 lb]



Dimensions



How To Order

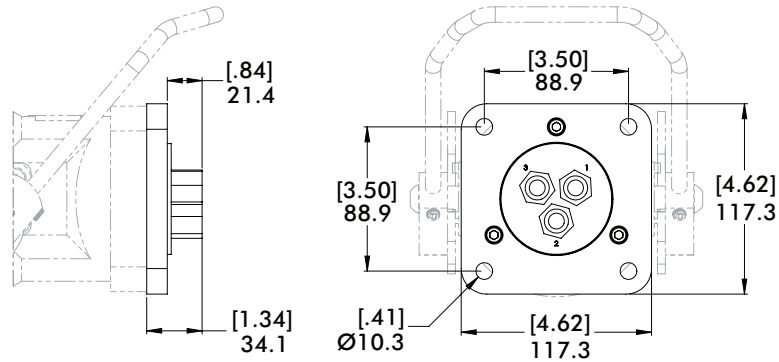
Model	Air Port Connection A3 (3 Port) or A6 (6-Port) "O(x)" = (Qty) of Open Ports / "S(x)" = (Qty) of Shutoff Ports	Electrical Mounting
CPI — RDN-25-6	A3-O1-S2	EL10
"RDN-25-6" Ø60mm/2.50" Quick Disconnect Housing	"A3-O0-S3" (0)Open-(3)Shutoff "A3-O1-S2" (1)Open-(2)Shutoff "A3-O2-S1" (2)Open-(1)Shutoff "A3-O3-S0" (3)Open-(0)Shutoff	Mounting for Large Connectors (Leave blank for Standard Mounting)
	"A6-O0-S6" (0)Open-(6)Shutoff "A6-O1-S5" (1)Open-(5)Shutoff "A6-O2-S4" (2)Open-(4)Shutoff "A6-O3-S3" (3)Open-(3)Shutoff "A6-O4-S2" (4)Open-(2)Shutoff "A6-O5-S1" (5)Open-(1)Shutoff "A6-O6-S0" (6)Open-(0)Shutoff	

Dimensions and technical information are subject to change without notice

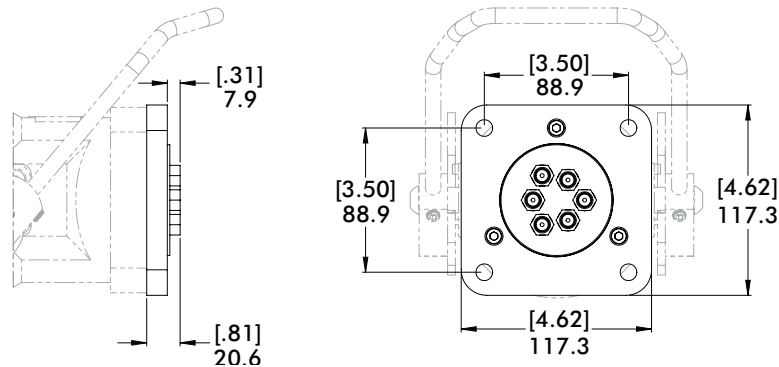
AIR PORTS AND ELECTRICAL CONNECTIONS

Manual Tool Changers | RDN-25 Flange Mount Disconnect Housings | Dimensions

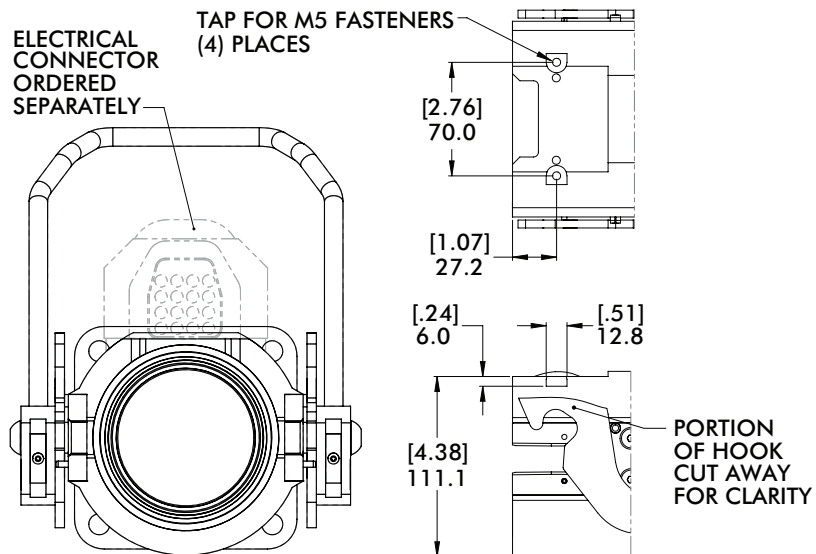
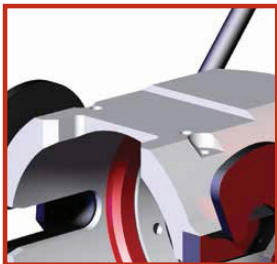
A3 3-Port Internal Air Connection with Shutoff Option



A6 6-Port Internal Air Connection with Shutoff Option



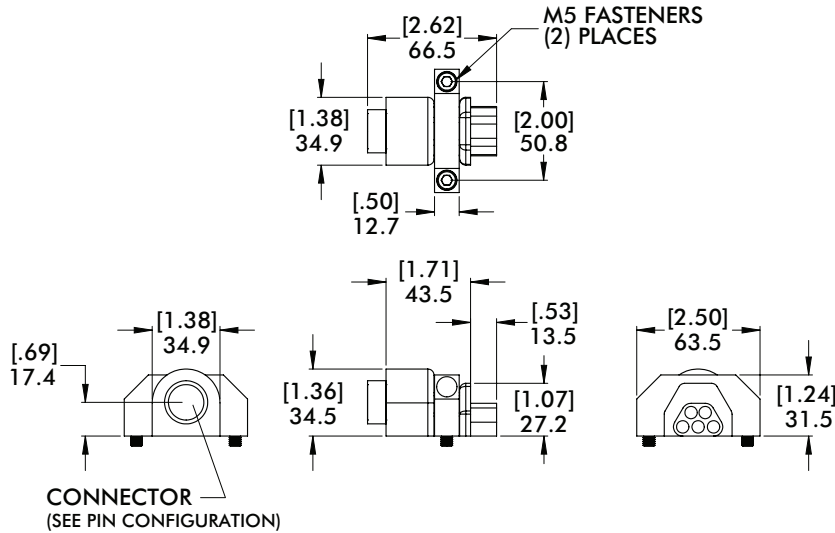
EL10 Mounting for Large Electric Connection



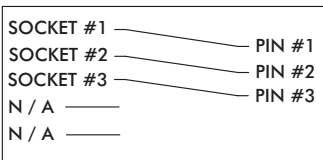
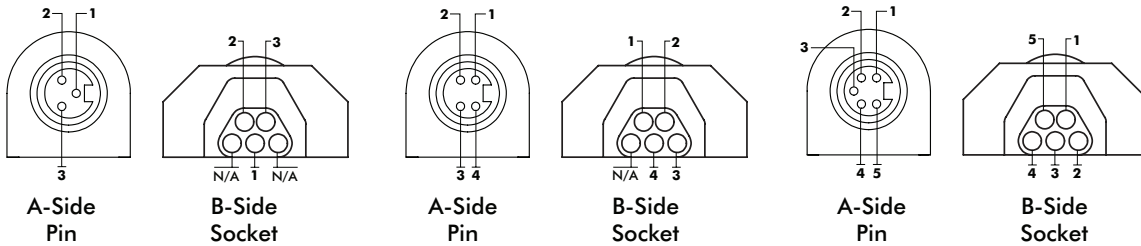
Dimensions and technical information are subject to change without notice

ELECTRICAL CONNECTIONS

Manual Tool Changers | RDN-25 Series Disconnect Housings | Dimensions

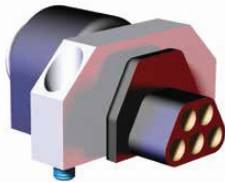


5 Pin Connectors for Housing - Standard Pin Configurations

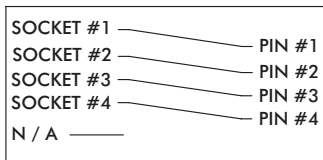


3-Pin to 5-Pin Connector

A-Side	3-Pin, Single Key
B-Side	5-Pin, Male Plug, Female Socket

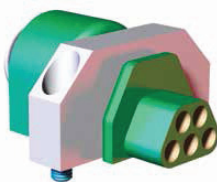


MODEL NUMBER
CPI-RDH-F5S-3B3

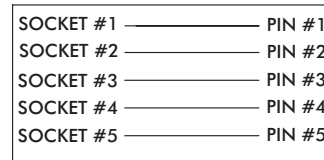


4-Pin to 5-Pin Connector

A-Side	4-Pin, Single Key
B-Side	5-Pin, Male Plug, Female Socket

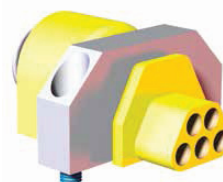


MODEL NUMBER
CPI-RDH-F5S-4B4



5-Pin to 5-Pin Connector

A-Side	5-Pin, Single Key
B-Side	5-Pin, Male Plug, Female Socket

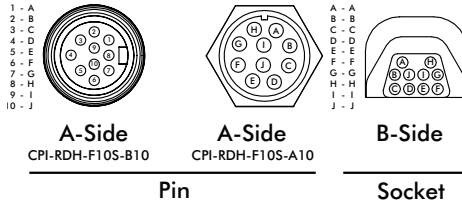
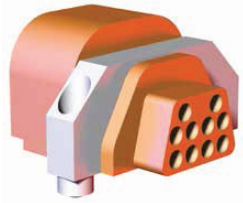


MODEL NUMBER
CPI-RDH-F5S-5B5

Dimensions and technical information are subject to change without notice

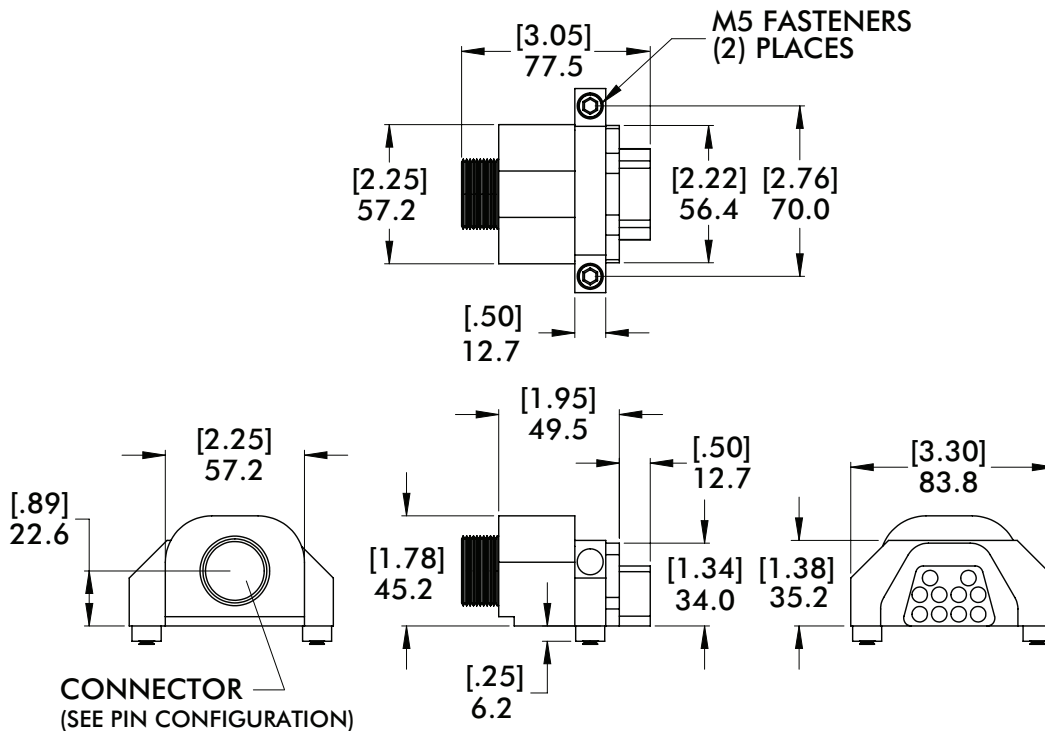
ELECTRICAL CONNECTIONS

Manual Tool Changers | RDN-25 Series Disconnect Housings | Dimensions



10 Pin Configuration

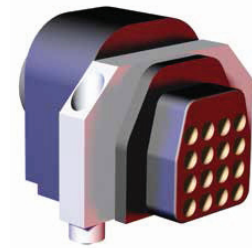
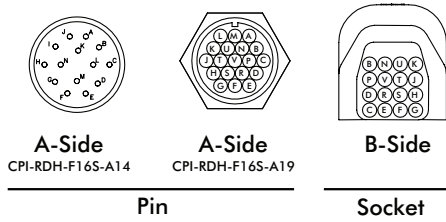
Model Number	A-Side	B-Side
CPI-RDH-F10S-A10	10-Pin	10-Pin, Male Plug, Female Socket
CPI-RDH-F10S-B10	10-Pin	



Dimensions and technical information are subject to change without notice

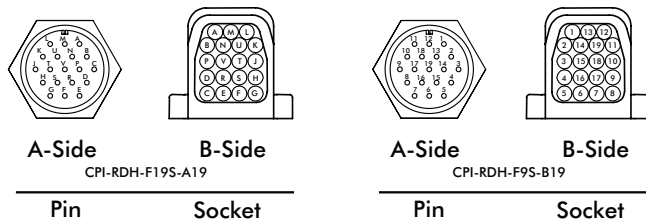
ELECTRICAL CONNECTIONS

Manual Tool Changers | RDN-25 Series Disconnect Housings | Dimensions



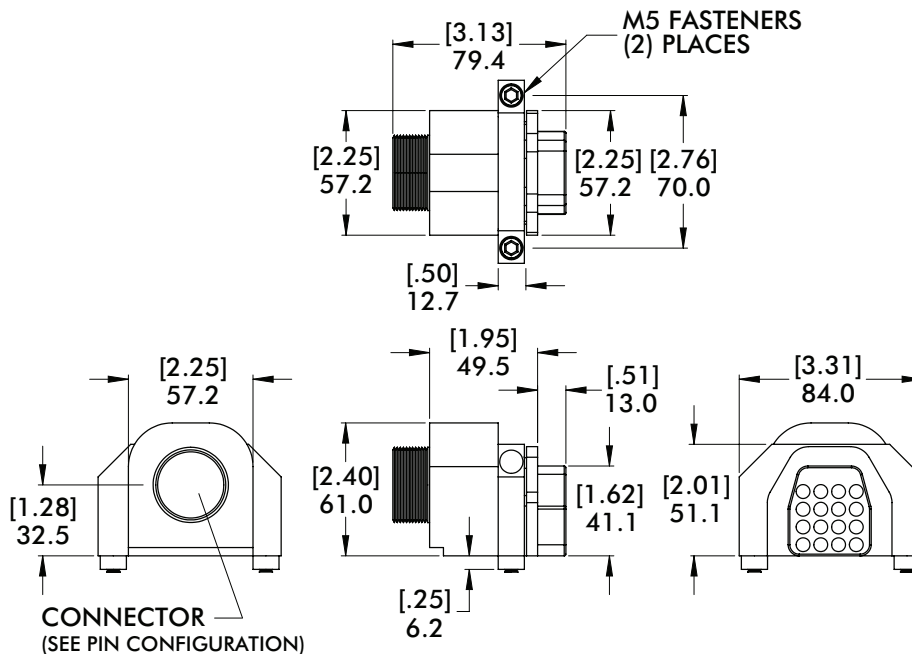
16 Pin Configuration

Model Number	A-Side	B-Side
CPI-RDH-F16S-A19	19-Pin	16-Pin, Male Plug, Female Socket
CPI-RDH-F16S-A14	14-Pin	



19 Pin Configuration

Model Number	A-Side	B-Side
CPI-RDH-F19S-A19	19-Pin	19-Pin, Male Plug, Female Socket
CPI-RDH-F19S-B19	19-Pin	



Dimensions and technical information are subject to change without notice

RDC SERIES BAYONETS

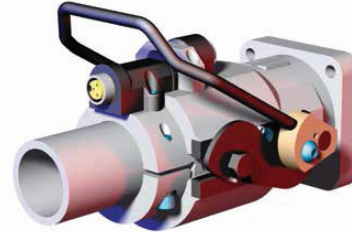
Manual Tool Changers | 2.50"/60mm Diameter Booms | Product Overview

Features:

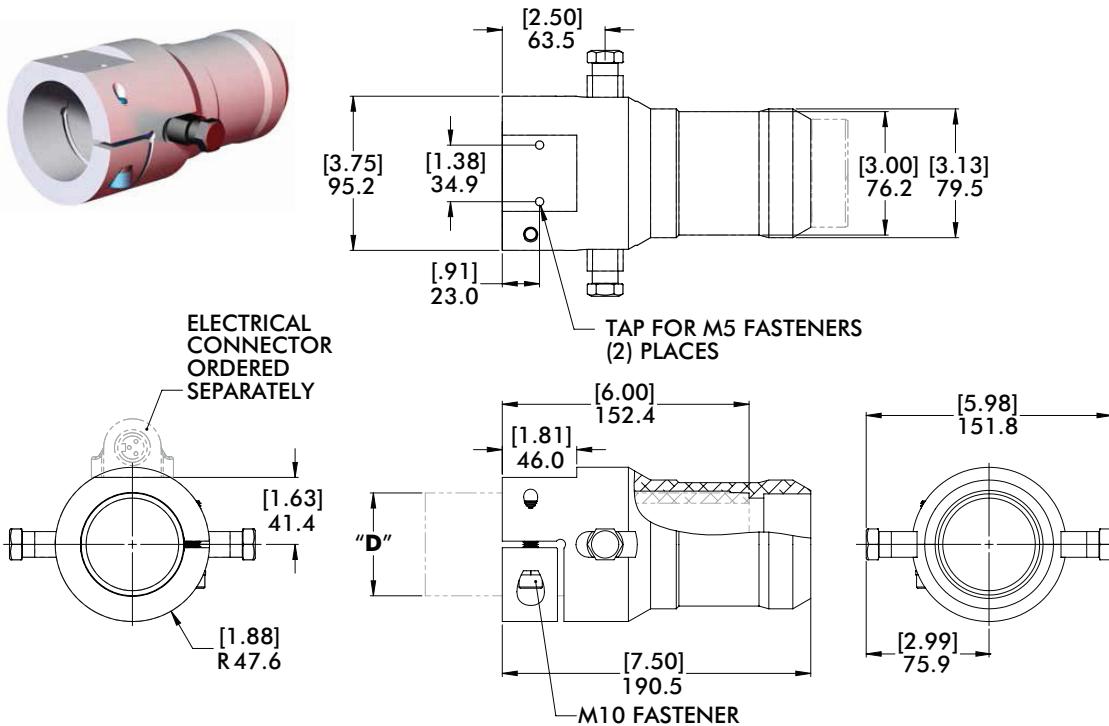
- Used in conjunction with the Quick Disconnect Housing to provide an efficient mode of changing tools manually.
- (2) Hardened alignment pins allows quick and accurate installation into the housing.
- Optional "EL10" machined surface for large electrical connectors.

Specifications:

Max. Static Product Load:
678 N*m [500 ft-lb]
Material:
Body: Aluminum
Pins: Steel
Weight:
1.6 kg [3.5 lb]



Dimensions



How To Order

	Model	Boom/Tube (Ø) "D"	Version	Air Port Connection	Electrical Mounting
CPI	RDC	25	2	A3	EL10
	"RDC" Quick Disconnect Bayonet	"25" 2.50" (in) "60" 60mm	"2" Version 2	"A3" 3-Port "A6" 6-Port	Mounting for Large Connectors (Leave blank for Standard Mounting)

Dimensions and technical information are subject to change without notice

RDC SERIES BAYONETS

Manual Tool Changers | 2.50"/60mm Diameter High Torque Booms | Product Overview

Features:

- Extended clamp area increases the holding surface and torque capacity for high speed applications.
- (2) Hardened alignment pins allows quick and accurate installation into the bayonet.
- Optional "EL10" machined surface for large electrical connectors.

Specifications:

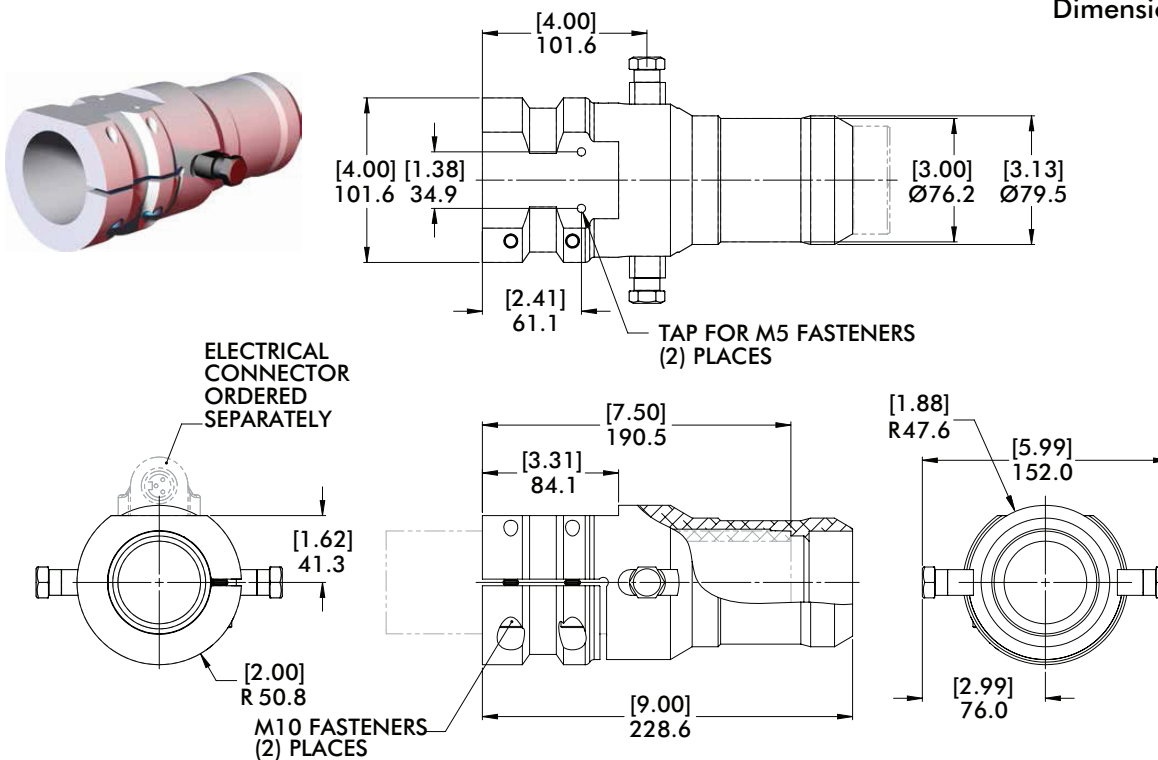
Max. Static Product Load:
949 N*m [700 ft-lb]

Material:
Body: Aluminum
Pins: Steel

Weight:
2.1 kg [4.7 lb]



Dimensions



How To Order

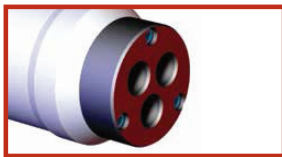
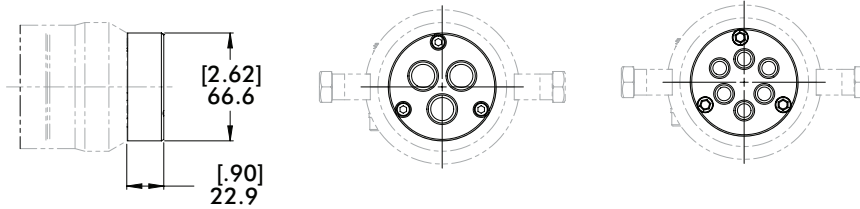
	Model	Boom/Tube (Ø) "D"	Version	Air Port Connection	Electrical Mounting
CPI	RDC	25	2HT	A3	EL10
	"RDC"	"25" 2.50"(in)	"2HT"	"A3" 3-Port	Mounting
	Quick	"60" 60mm	Version 2	"A6" 6-Port	for Large
	Disconnect		Hi-Torque		Connectors
	Bayonet				(Leave blank
					for Standard
					Mounting)

Dimensions and technical information are subject to change without notice

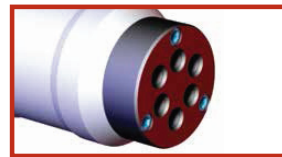
AIR PORTS AND ELECTRICAL CONNECTIONS

Manual Tool Changers | RDC-25/60 Series Bayonets | Dimensions

A3 3-Port/A6 6-Port Internal Air Connection



"A3" 3-Port Internal Air Connection

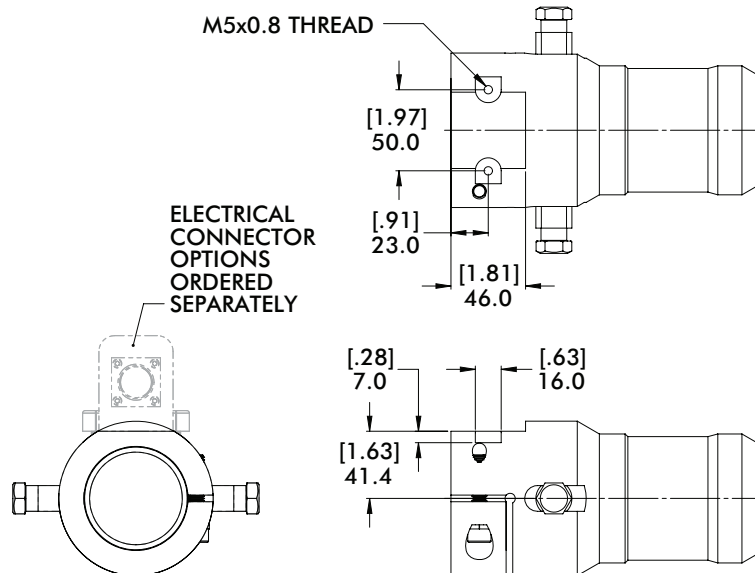
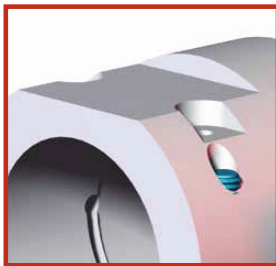


"A6" 6-Port Internal Air Connection

REPLACEMENT PART
CPI-BC-250-3-U38 (3/8 NPT ports)
CPI-BC-60-3-G38 (G3/8 ports)

REPLACEMENT PART
CPI-BC-250-6-U18 (1/8 NPT ports)
CPI-BC-60-6-G18 (G1/8 ports)

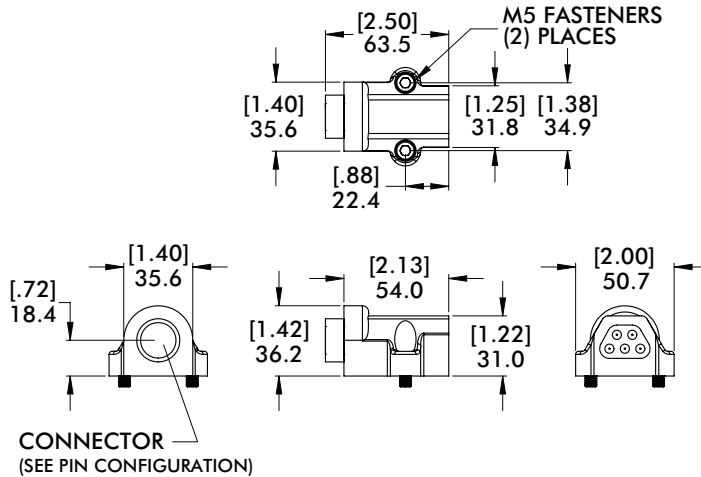
EL10 Mounting for Large Electric Connection



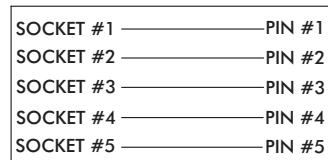
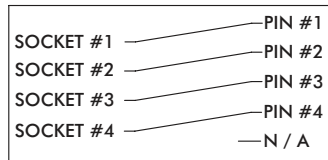
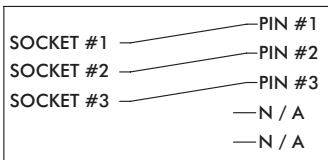
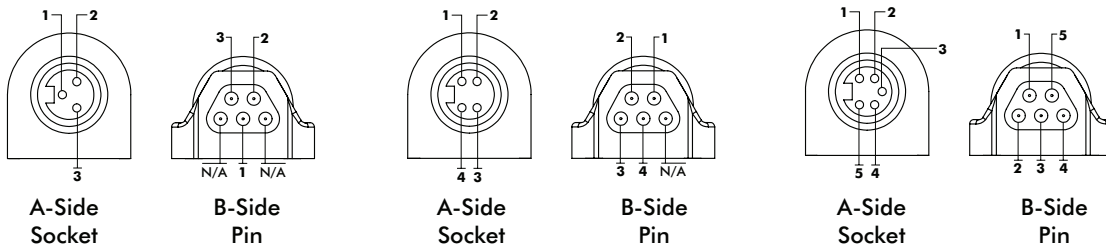
Dimensions and technical information are subject to change without notice

ELECTRICAL CONNECTIONS

Manual Tool Changers | RDC-25/60 Series Bayonets | Dimensions



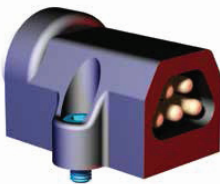
5 Pin Connectors for Bayonet (Tool Side)- Standard Pin Configurations



3-Pin to 5-Pin Connector	
A-Side	3-Pin, Single Key
B-Side	5-Pin, Male Pin, Female Plug

4-Pin to 5-Pin Connector	
A-Side	4-Pin, Single Key
B-Side	5-Pin, Male Pin, Female Plug

5-Pin to 5-Pin Connector	
A-Side	5-Pin, Single Key
B-Side	5-Pin, Male Pin, Female Plug



MODEL NUMBER
CPI-RDB-M5P-3B3



MODEL NUMBER
CPI-RDB-M5P-4B4

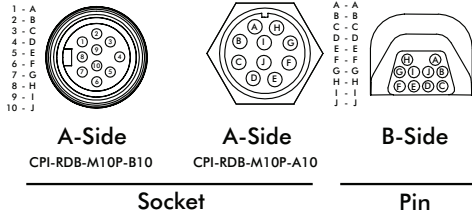


MODEL NUMBER
CPI-RDB-M5P-5B5

Dimensions and technical information are subject to change without notice

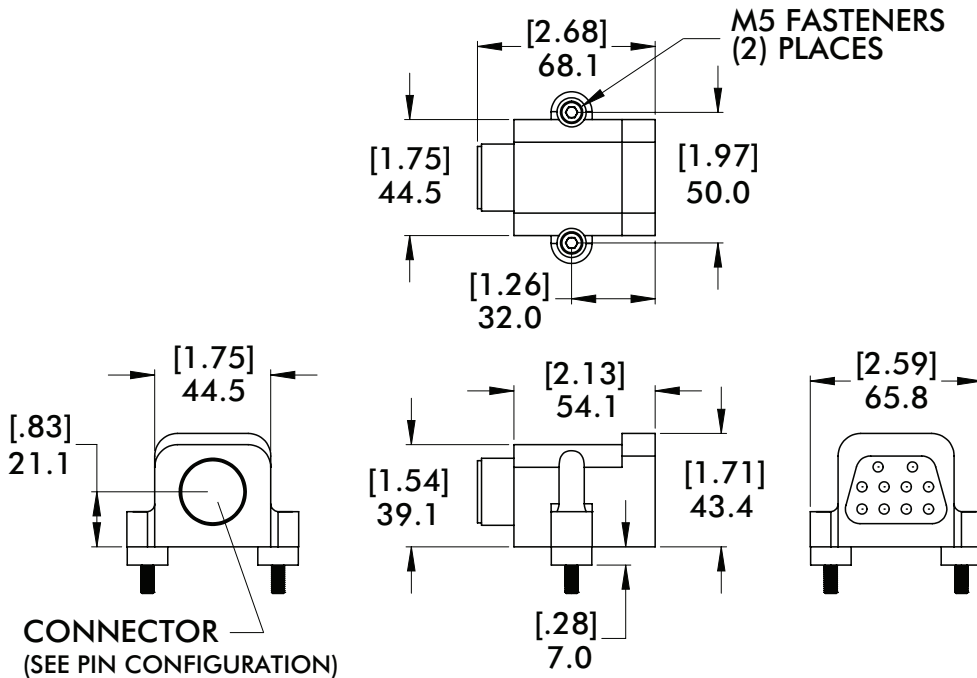
ELECTRICAL CONNECTIONS

Manual Tool Changers | RDC-25/60 Series Bayonets | Dimensions



10 Pin Configuration

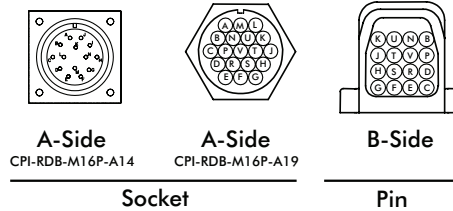
Model Number	A-Side	B-Side
CPI-RDB-M10P-A10	10-Pin	10-Pin, Male Pin, Female Plug
CPI-RDB-M10P-B10	10-Pin	



Dimensions and technical information are subject to change without notice

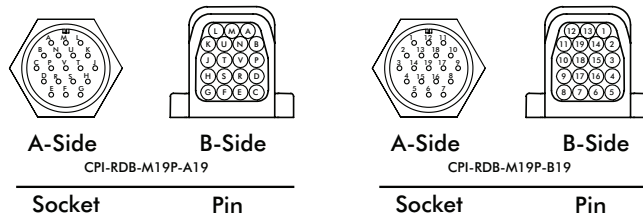
ELECTRICAL CONNECTIONS

Manual Tool Changers | RDC-25/60 Series Bayonets | Dimensions



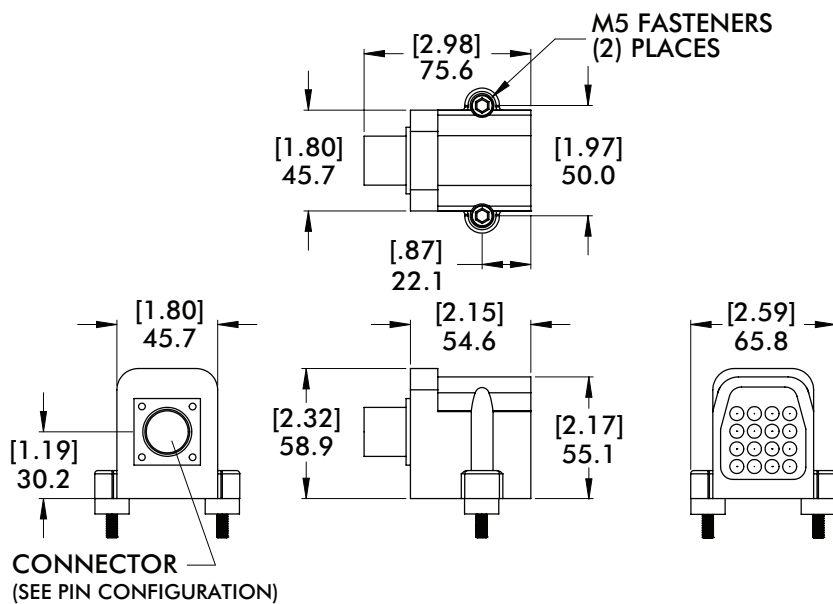
16 Pin Configuration

Model Number	A-Side	B-Side
CPI-RDB-M16P-A19	19-Pin	16-Pin, Male Pin, Female Plug
CPI-RDB-M16P-A14	14-Pin	



19 Pin Configuration

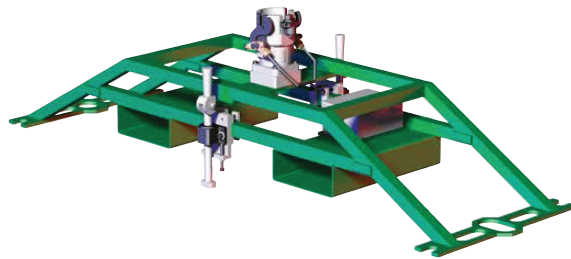
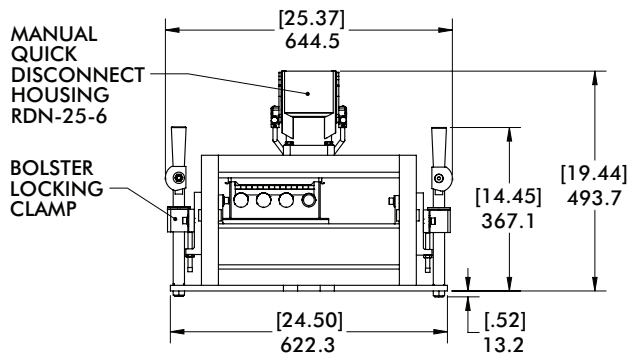
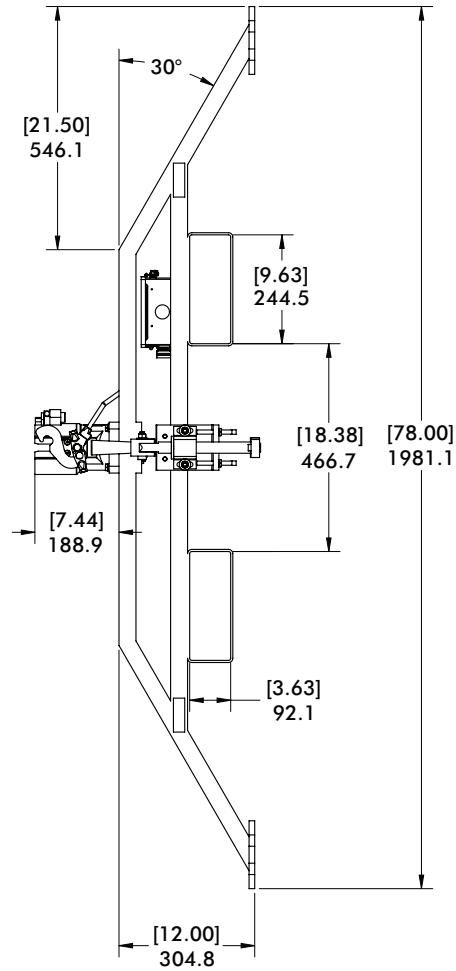
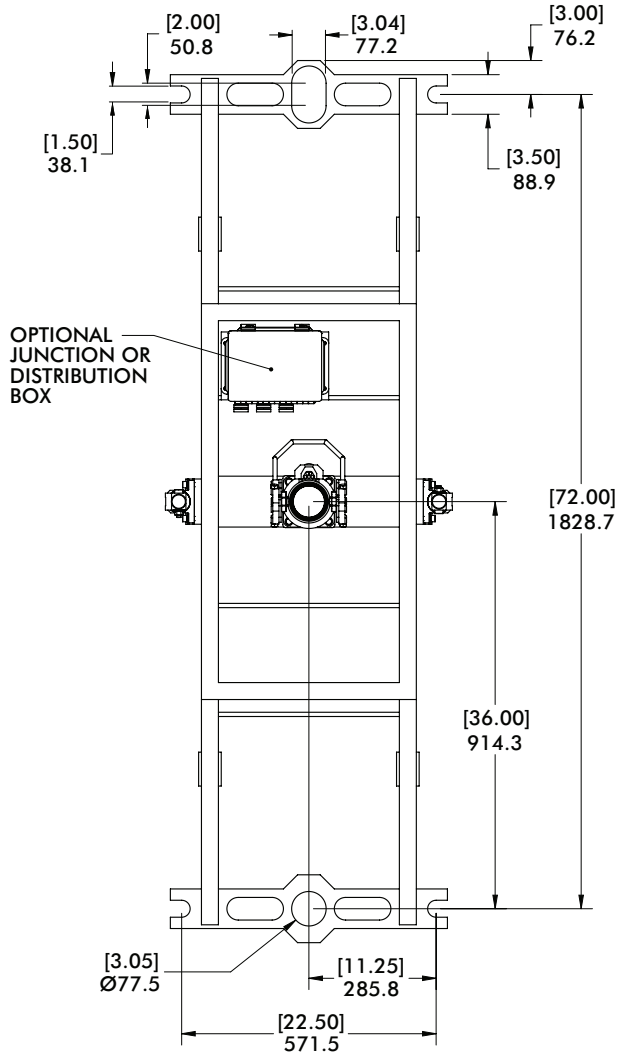
Model Number	A-Side	B-Side
CPI-RDB-M19P-A19	19-Pin	19-Pin, Male Pin, Female Plug
CPI-RDB-M19P-B19	19-Pin	



Dimensions and technical information are subject to change without notice

IDLE STATION

Automation Adaptors | (1) RDN-25-6 Disconnect Housings with Ability to be Fixed to Bolster | Dimensions

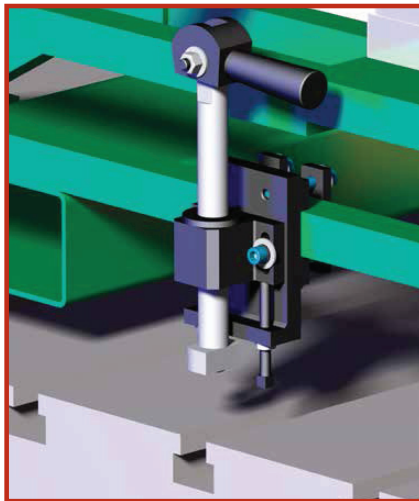
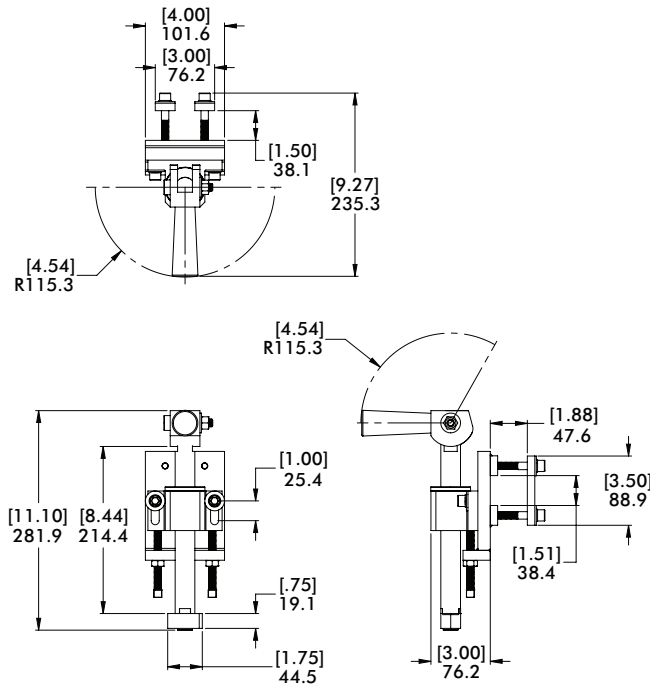


MODEL NUMBER	WEIGHT
CPI-PNS-ASSY	85.41 kg [188.30 lb]

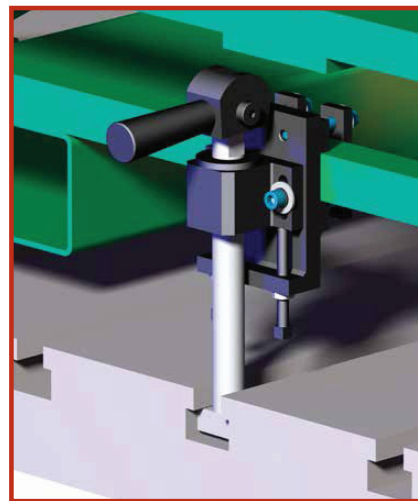
Dimensions and technical information are subject to change without notice

IDLE STATION

Automation Adaptors | Bolster Locking Clamp | Dimensions



Stored Position



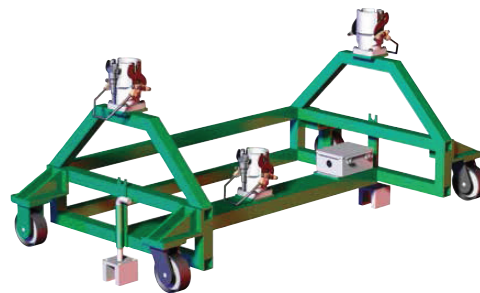
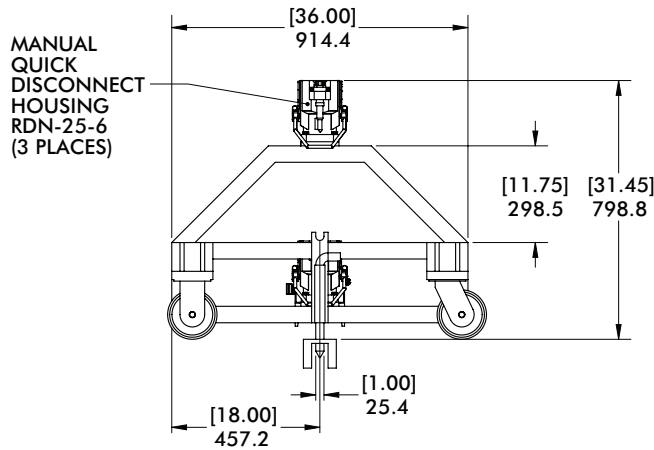
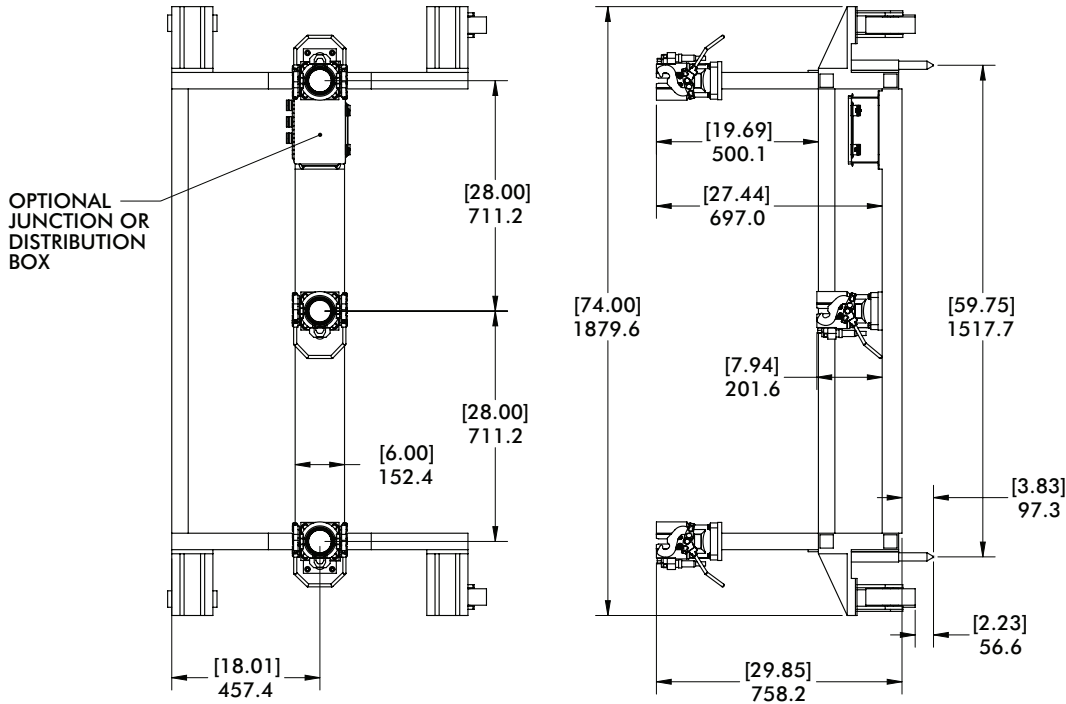
In Use, Locked into Bolster

MODEL NUMBER	WEIGHT
CPI-BLC-100-15-6	5.50 kg [12.12 lb]

Dimensions and technical information are subject to change without notice

IDLE STATION

Automation Adaptors | (3) RDN-25-6 Disconnect Housings and Mobile Flexibility | Dimensions

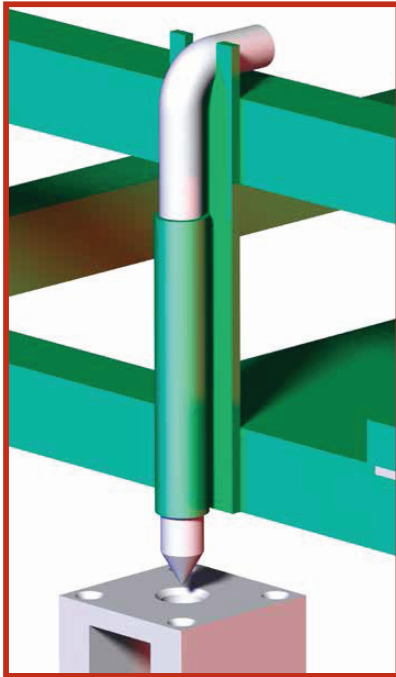


MODEL NUMBER	WEIGHT
CPI-INS-ASSY	182.67 kg [402.73 lb]

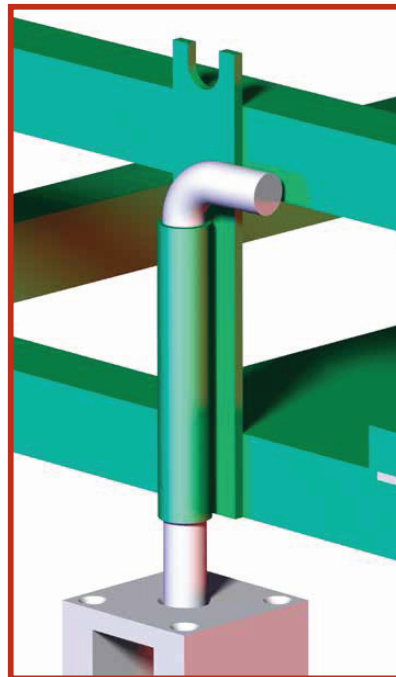
Dimensions and technical information are subject to change without notice

LOCKING PINS IDLE STATIONS

Automation Adaptors | Locking Pin | Operating Procedure



Stored Position


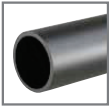








Engaged Position

Dimensions and technical information are subject to change without notice

ACCELERATE® TOOLING COLLECTION





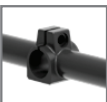






Table of Contents

	Split Saddle Tooling	3
	Blankload Crossbar Tooling	4
	Tool Booms	6
	Crossbar Saddles	7
	Flange Mount.....	9
	T-Clamps	9
	Ball Clamps.....	11
	Wrist Clamp	12
	Cross Clamps.....	12
	Parallel Clamps.....	15
	Apple Core Mounts	16
	Ball Extensions	16

Dimensions and technical information are subject to change without notice

ACCELERATE® TOOLING COLLECTION

Table of Contents

	Tri-Axis Adaptor Mounts.....	18
	Transfer Press Adaptors	19
	Transfer Press Bayonets	22
	One-Touch Finger Tools	22
	Double T-Clamp.....	23
	Lower Tooling.....	24
	Lower Nest Tooling.....	25
	Gripper Mounts.....	27
	Gripper Sensor Mounts.....	29
	Shovels	30
	Proximity Switch Mounts	31

Dimensions and technical information are subject to change without notice