



BODYBUILDER™ TRANSITION BRACKETS AND BLOCKS

BodyBuilder™ Octagonal Tooling | Dimensions | Technical Specifications

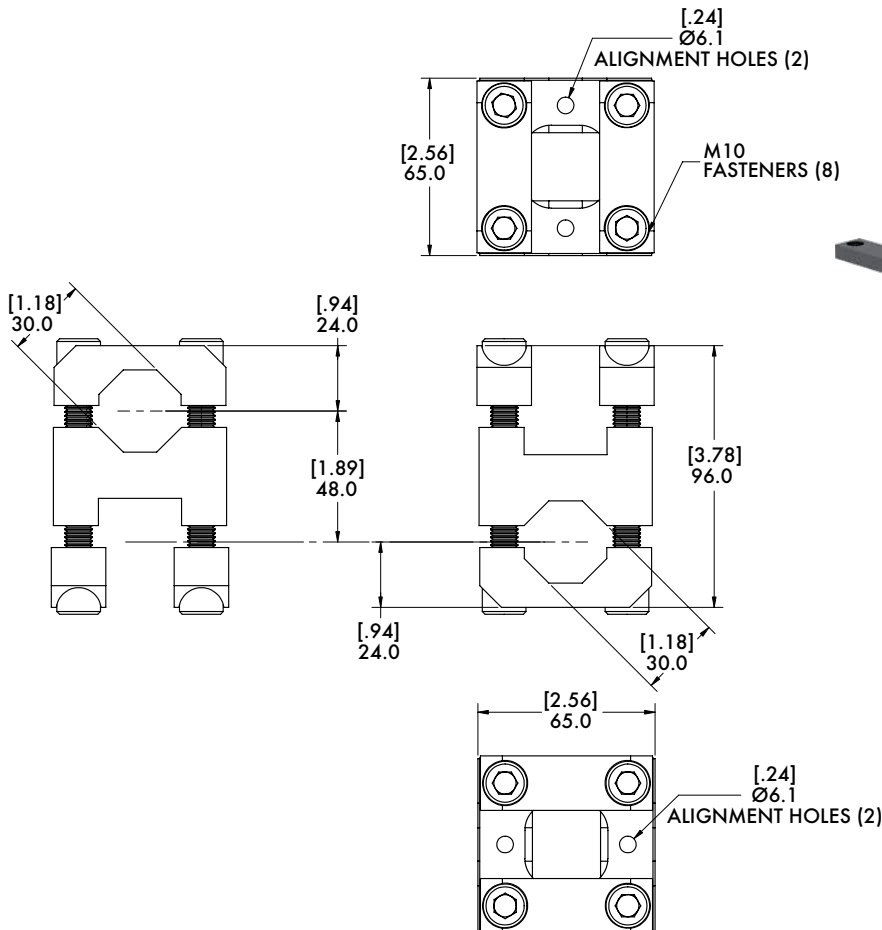
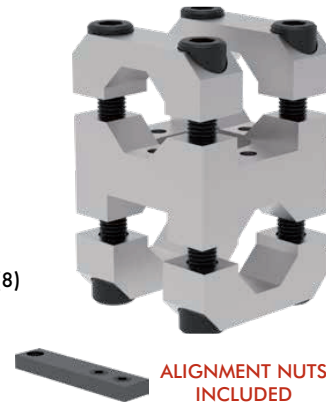
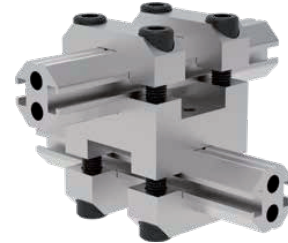
30B-30B 30mm to 30mm Transition Bracket Assembly

Features:

- Connects (2) 30mm extrusions perpendicular to each other.
- Lightweight, high-strength aluminum design.

Specifications:

Max.Static Clamp Load:
30mm: 271 Nm [200 ft-lb]
Material: Aluminum



Model Number	Weight
M-30B-30B-M	.82 kg [1.80 lb]

Dimensions and technical information are subject to change without notice

BODYBUILDER™ TRANSITION BRACKETS AND BLOCKS **Body Builder**

BodyBuilder™ Octagonal Tooling | Dimensions | Technical Specifications

30B-45B 30mm to 45mm Transition Bracket Assembly

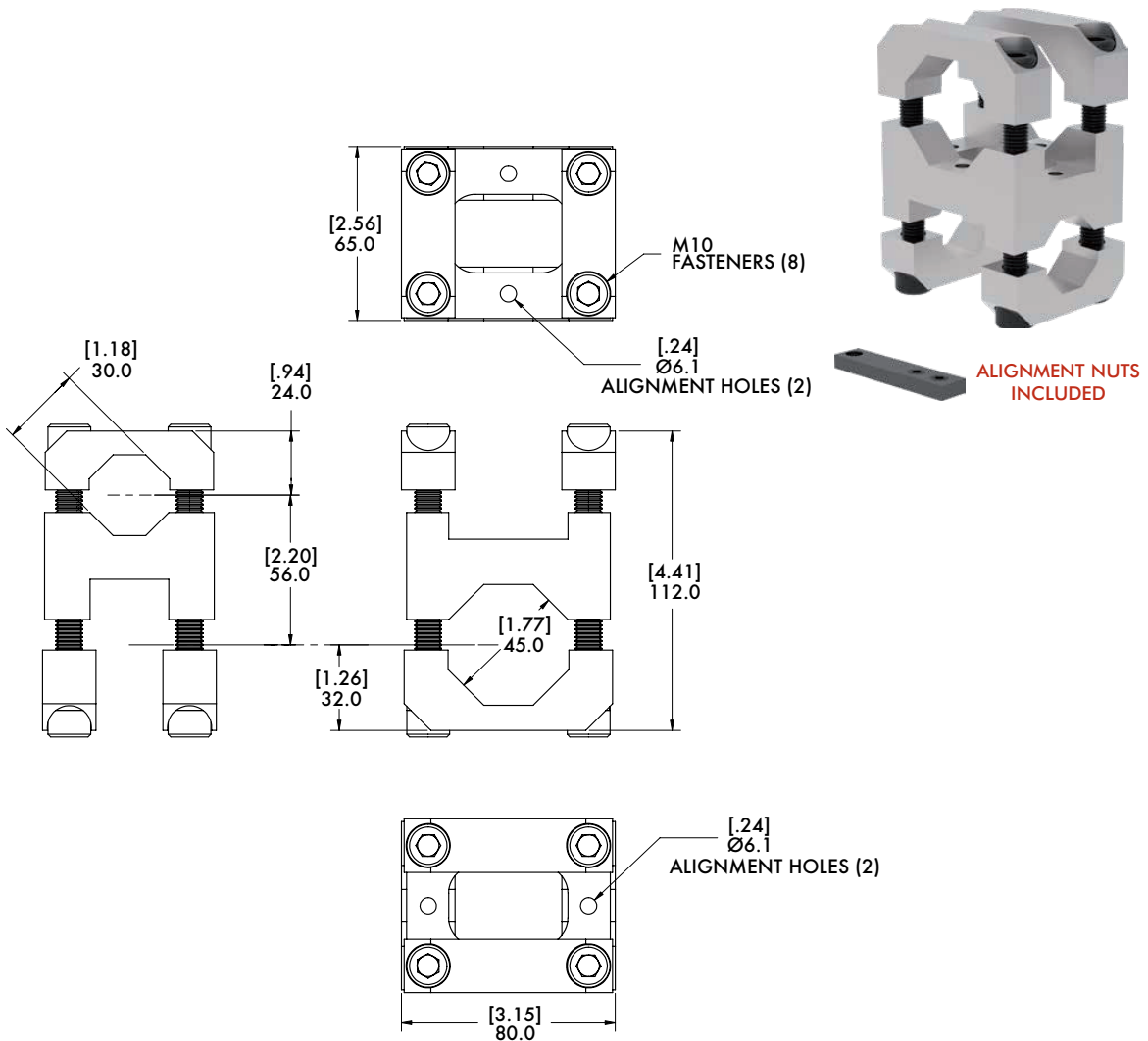


Specifications:

Max. Static Clamp Load:
 45mm: 475 Nm [350 ft-lb]
 30mm: 271 Nm [200 ft-lb]
Material: Aluminum

Features:

- Connects 30mm and 45mm extrusions perpendicular to each other.
- Lightweight, high-strength aluminum design.



Model Number	Weight
M-30B-45B-M	1.00 kg [2.20 lb]

Dimensions and technical information are subject to change without notice



BODYBUILDER™ TRANSITION BRACKETS AND BLOCKS

BodyBuilder™ Octagonal Tooling | Dimensions | Technical Specifications

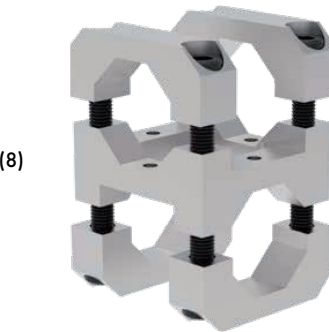
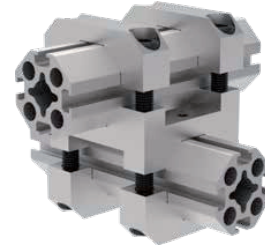
45B-45B 45mm to 45mm Transition Bracket Assembly

Features:

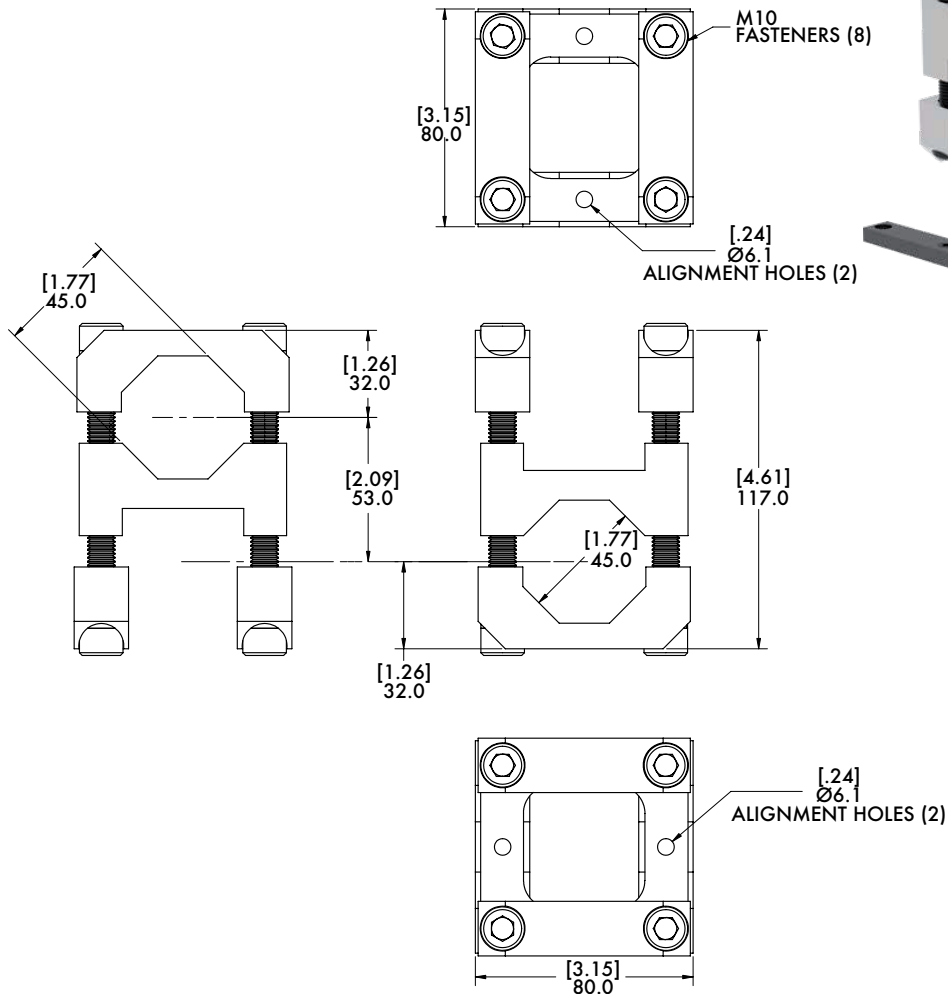
- Connects (2) 45mm extrusions perpendicular to each other.
- Lightweight, high-strength aluminum design

Specifications:

Max. Static Clamp Load:
45mm: 475 Nm [350 ft-lb]
Material: Aluminum



ALIGNMENT NUTS INCLUDED



Model Number	Weight
M-45B-45B-M	1.05 kg [2.31 lb]

Dimensions and technical information are subject to change without notice

BODYBUILDER™ TRANSITION BRACKETS AND BLOCKS **Body Builder**

BodyBuilder™ Octagonal Tooling | Dimensions | Technical Specifications

30B-60B 30mm to 60mm Transition Bracket Assembly



Specifications:

Max. Static Clamp Load:

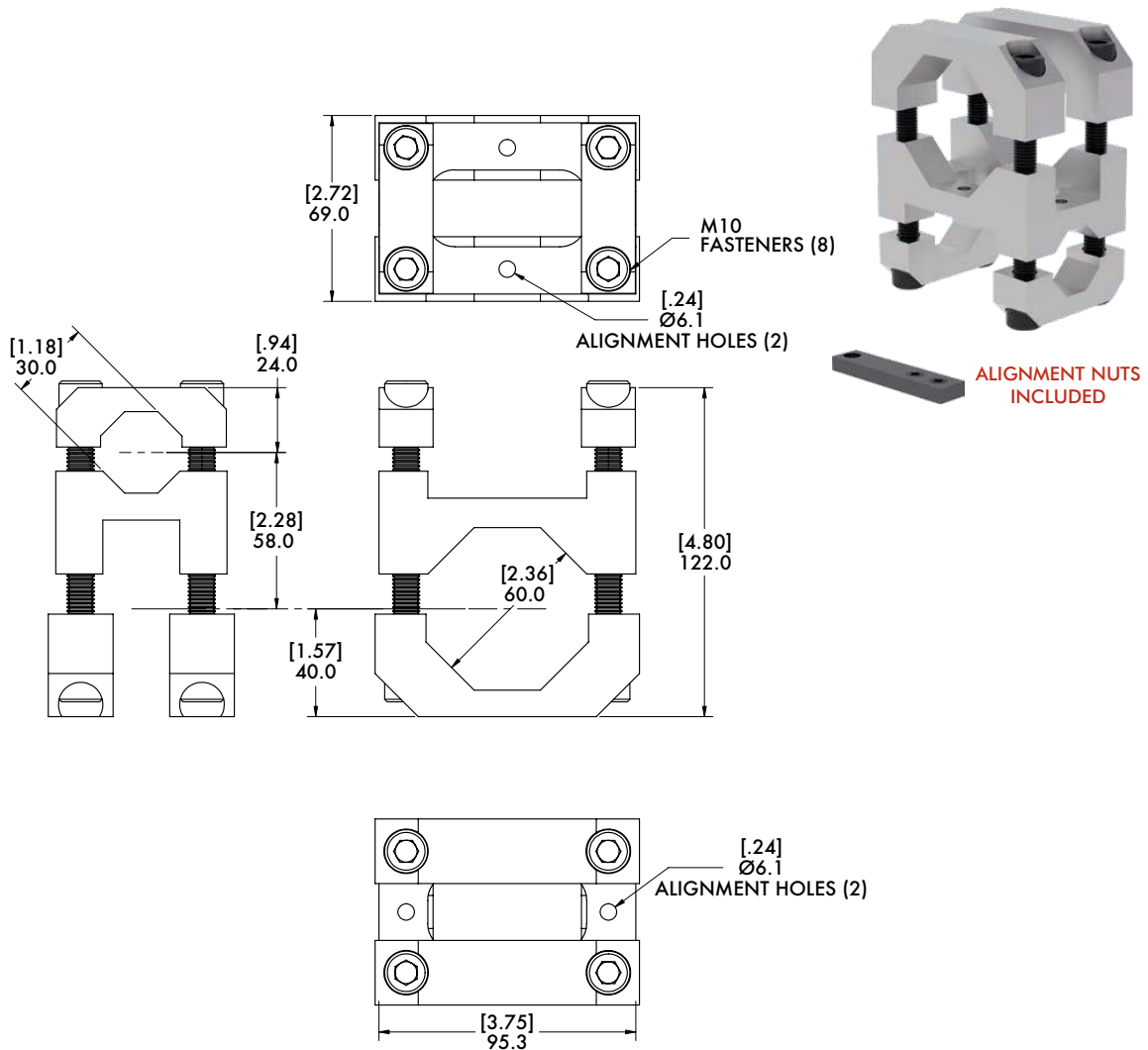
60mm: 746 Nm [550 ft-lb]

30mm: 271 Nm [200 ft-lb]

Material: Aluminum

Features:

- Connects 30mm and 60mm extrusions perpendicular to each other.
- Lightweight, high-strength aluminum design.



Model Number	Weight
M-30B-60B-M	1.13 kg [2.50 lb]

Dimensions and technical information are subject to change without notice



BODYBUILDER™ TRANSITION BRACKETS AND BLOCKS

BodyBuilder™ Octagonal Tooling | Dimensions | Technical Specifications

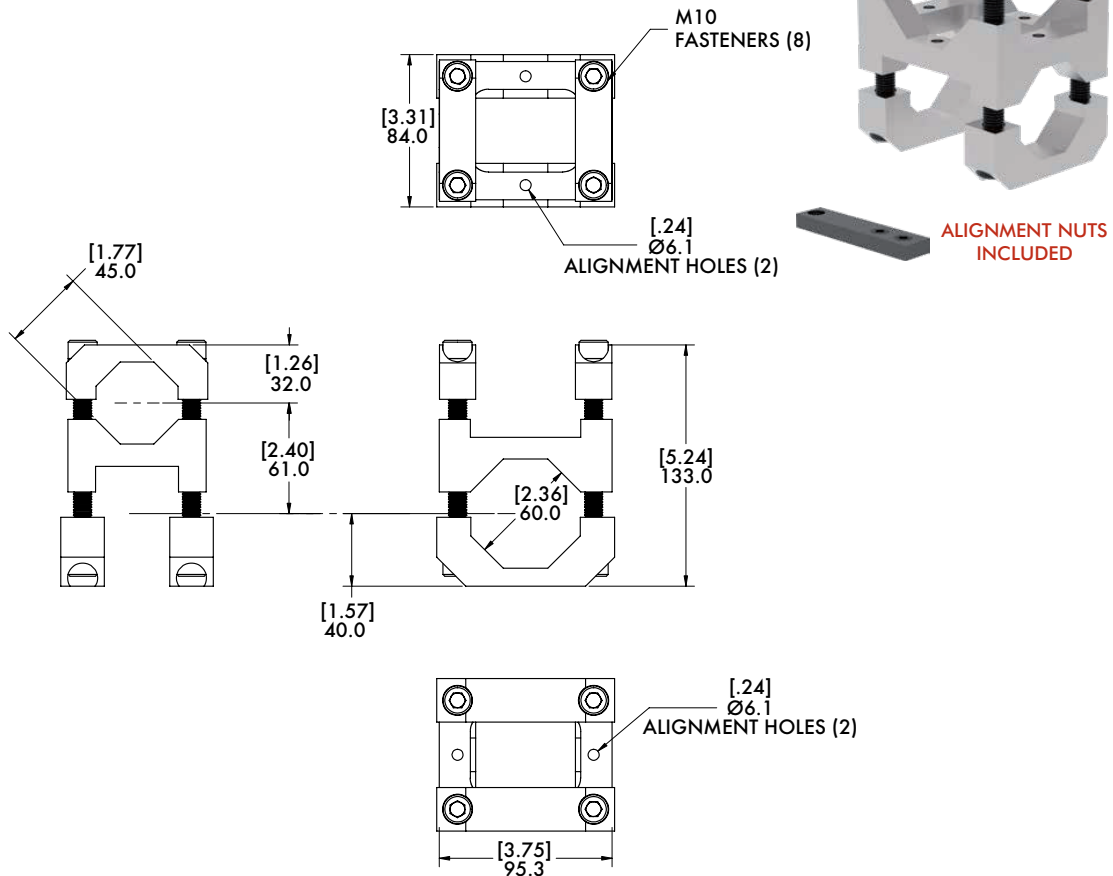
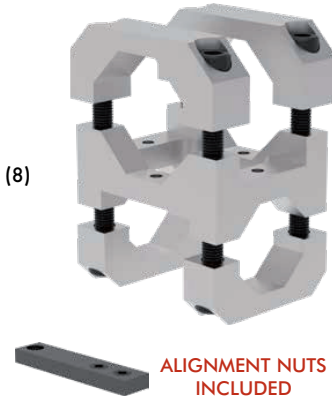
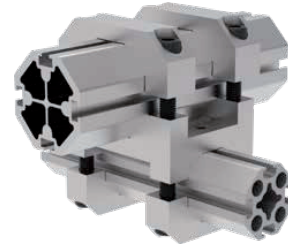
45B-60B 45mm to 60mm Transition Bracket Assembly

Features:

- Connects 45mm and 60mm extrusions perpendicular to each other.
- Lightweight, high-strength aluminum design.

Specifications:

Max. Static Clamp Load:
 60mm: 746 Nm [550 ft-lb]
 45mm: 475 Nm [350 ft-lb]
Material: Aluminum



Model Number	Weight
M-45B-60B-M	1.23 kg [2.70 lb]

Dimensions and technical information are subject to change without notice

BODYBUILDER™ TRANSITION BRACKETS AND BLOCKS **Body Builder**

BodyBuilder™ Octagonal Tooling | Dimensions | Technical Specifications

60B-60B 60mm to 60mm Transition Bracket Assembly

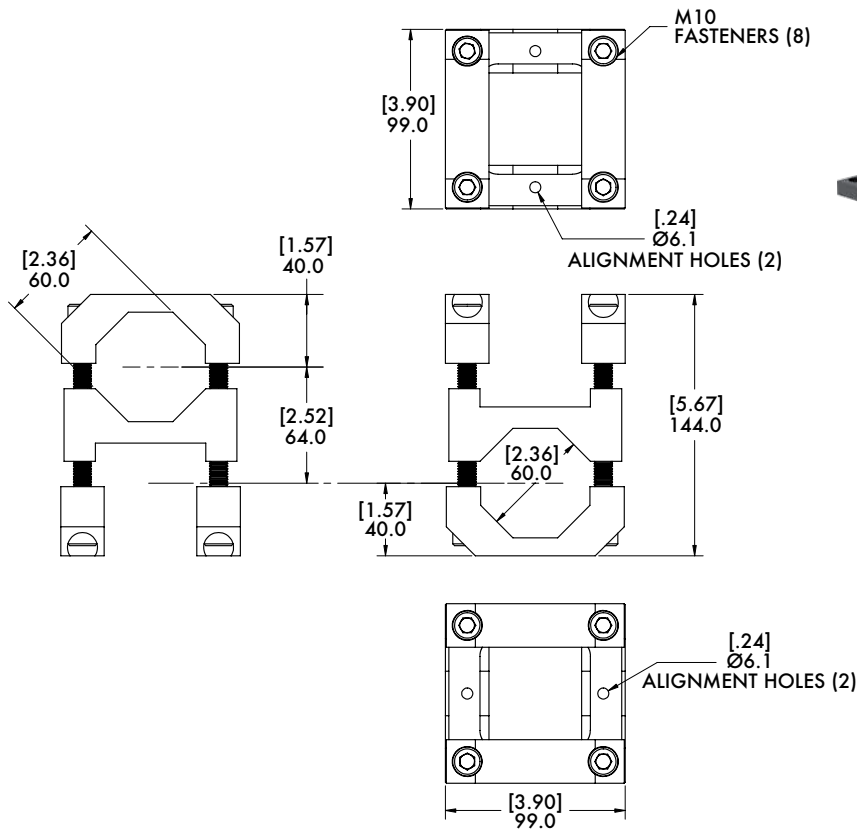


Specifications:

Max. Static Clamp Load:
60mm: 746 Nm [550 ft-lb]
Material: Aluminum

Features:

- Connects (2) 60mm extrusions perpendicular to each other.
- Lightweight, high-strength aluminum design



Model Number	Weight
M-60B-60B-M	1.36 kg [3.00 lb]

Dimensions and technical information are subject to change without notice



BODYBUILDER™ TRANSITION BRACKETS AND BLOCKS

BodyBuilder™ Octagonal Tooling | Dimensions | Technical Specifications

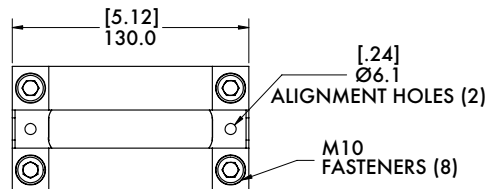
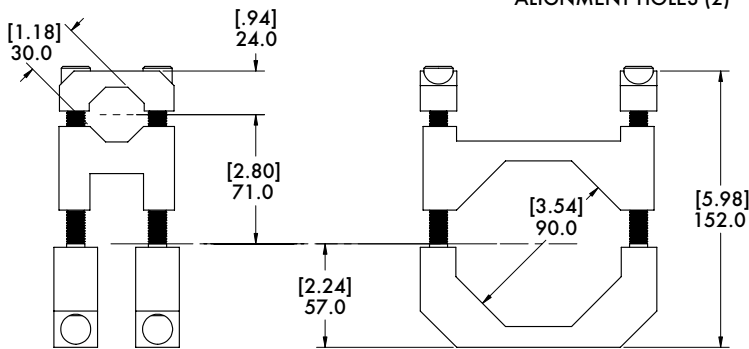
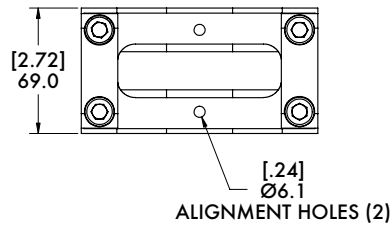
30B-90B 30mm to 90mm Transition Bracket Assembly

Features:

- Connects 30 and 90mm extrusions perpendicular to each other.
- Lightweight, high-strength aluminum design.

Specifications:

Max. Static Clamp Load:
 30mm: 271 Nm [200 ft-lb]
 90mm: 746 Nm [550 ft-lb]
Material: Aluminum



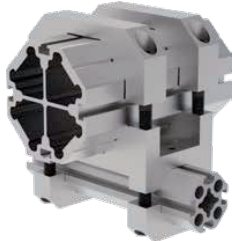
Model Number	Weight
M-30B-90B-M	1.78 kg [3.93 lb]

Dimensions and technical information are subject to change without notice

BODYBUILDER™ TRANSITION BRACKETS AND BLOCKS **Body Builder**

BodyBuilder™ Octagonal Tooling | Dimensions | Technical Specifications

45B-90B 45mm to 90mm Transition Bracket Assembly

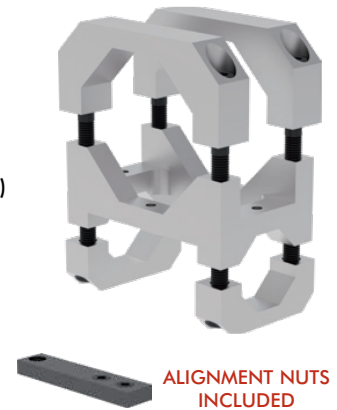
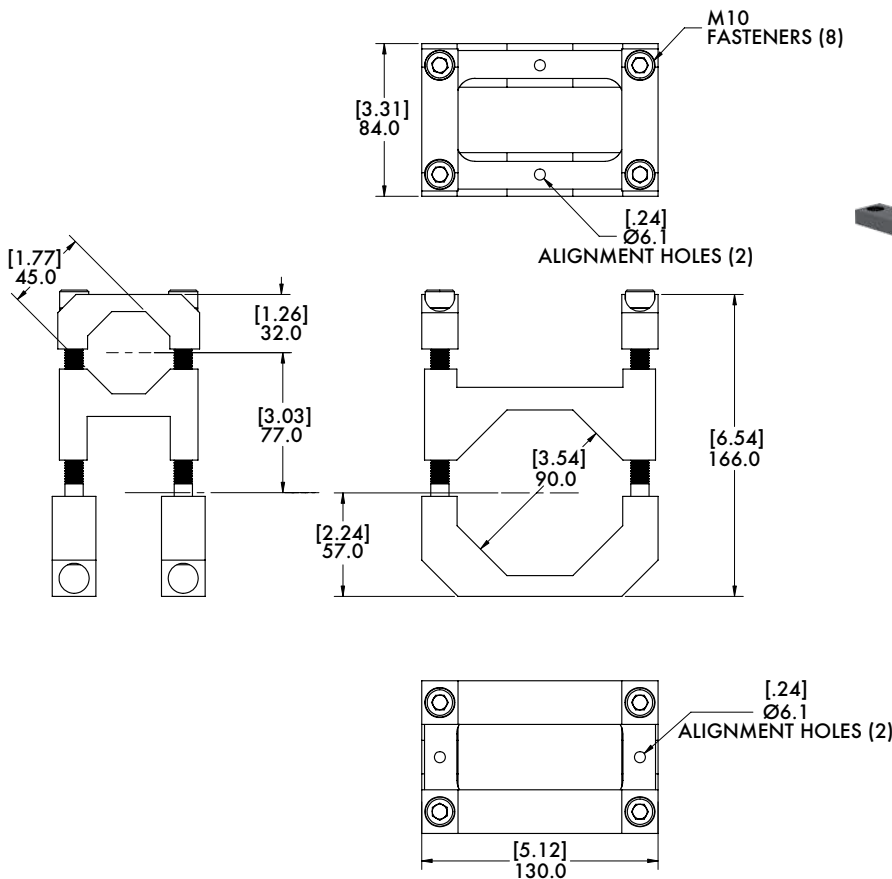


Specifications:

Max. Static Clamp Load:
 45mm: 475 Nm [350 ft-lb]
 90mm: 746 Nm [550 ft-lb]
Material: Aluminum

Features:

- Connects 45 and 90mm extrusions perpendicular to each other.
- Lightweight, high-strength aluminum design.



Model Number	Weight
M-45B-90B-M	1.91 kg [4.21 lb]

Dimensions and technical information are subject to change without notice



BODYBUILDER™ TRANSITION BRACKETS AND BLOCKS

BodyBuilder™ Octagonal Tooling | Dimensions | Technical Specifications

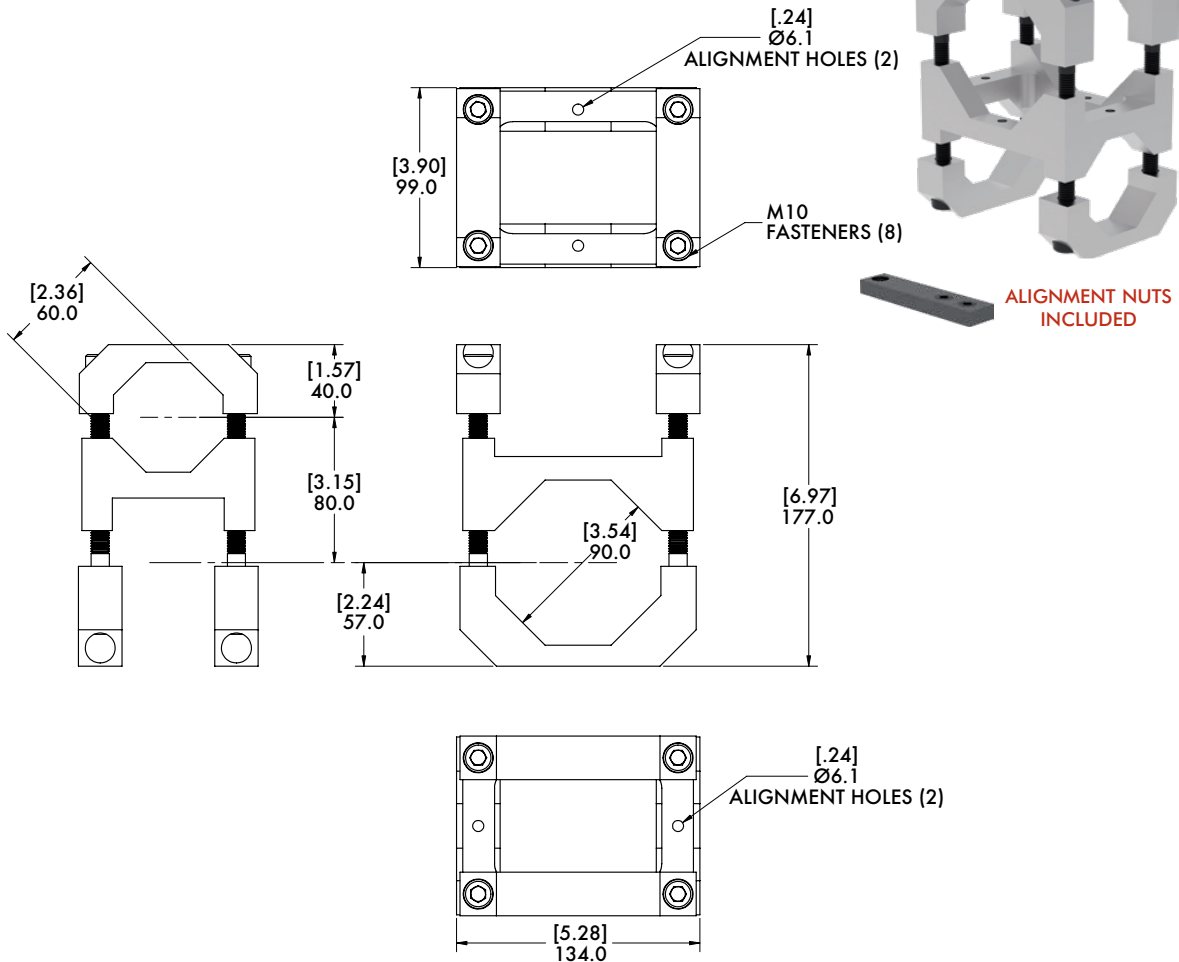
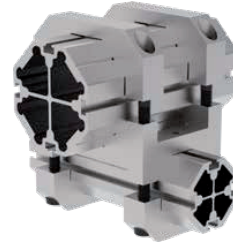
60B-90B 60mm to 90mm Transition Bracket Assembly

Features:

- Connects 60mm and 90mm extrusions perpendicular to each other.
- Lightweight, high-strength aluminum design.

Specifications:

Maximum Clamp Load:
60mm and 90mm:
746 Nm [550 ft-lb]
Material: Aluminum



Model Number	Weight
M-60B-90B-M	2.25 kg [4.97 lb]

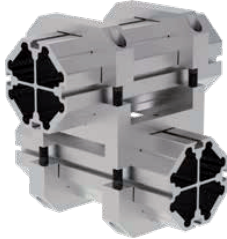
Dimensions and technical information are subject to change without notice

BODYBUILDER™ TRANSITION BRACKETS AND BLOCKS

BodyBuilder™ Octagonal Tooling | Dimensions | Technical Specifications



90B-90B 90mm to 90mm Transition Bracket Assembly

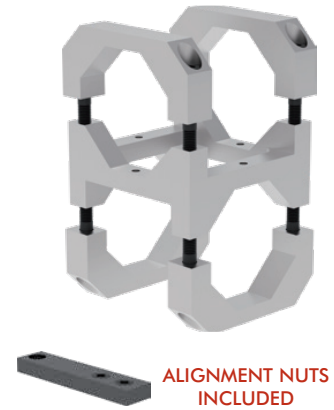
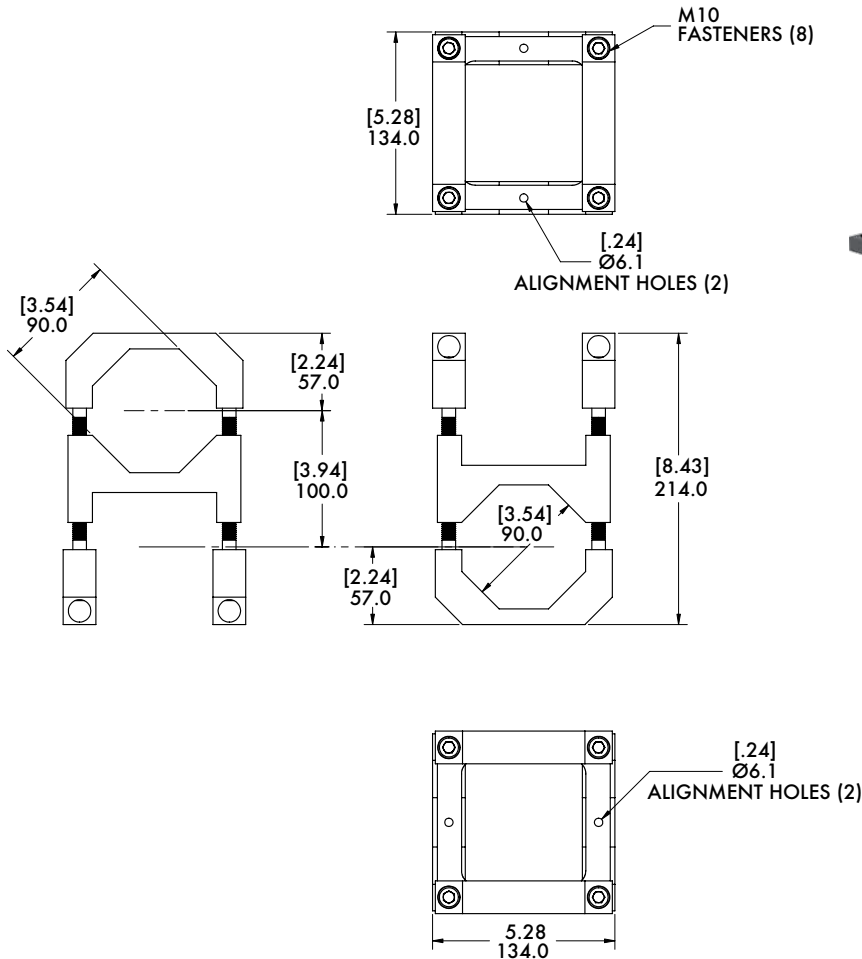


Specifications:

Max. Static Clamp Load:
746 Nm [550 ft-lb]
Material: Aluminum

Features:

- Connects (2) 90mm extrusions perpendicular to each other.
- Lightweight, high-strength aluminum design.



Model Number	Weight
M-90B-90B-M	3.33 kg [7.34 lb]

Dimensions and technical information are subject to change without notice



BodyBuilder™ Octagonal Tooling | Octagon to Round Transition Block Assembly

BODYBUILDER™ SQUARE CLAMPS

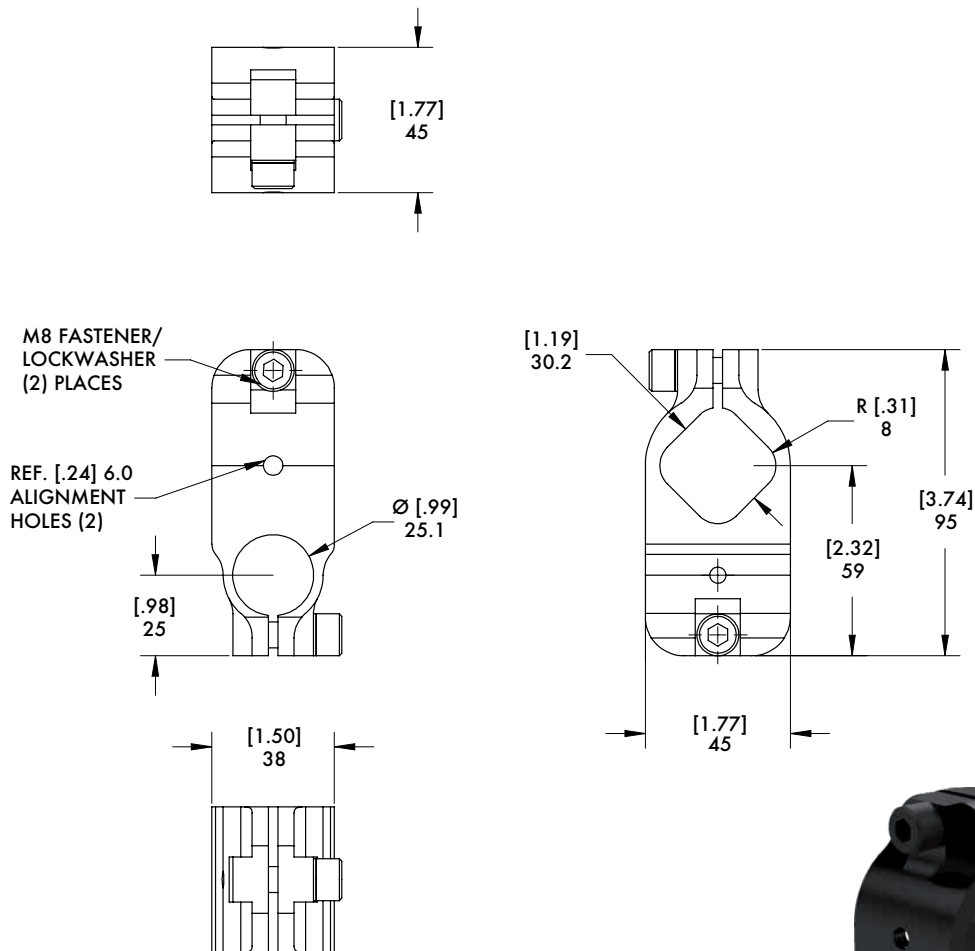
30B-25M 30mm Octagon to 25mm Round

Specifications:

Max. Static Clamp Load:

407 Nm [300 ft-lb]

Material: High Strength Aluminum



Model Number	Weight
M-30B-25M-M	203g [0.45lbs]

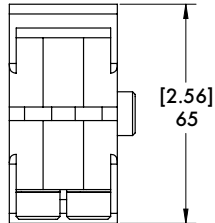
Dimensions and technical information are subject to change without notice

BODYBUILDER™ SQUARE CLAMPS

BodyBuilder™ Octagonal Tooling | Octagon to Round Transition Block Assembly



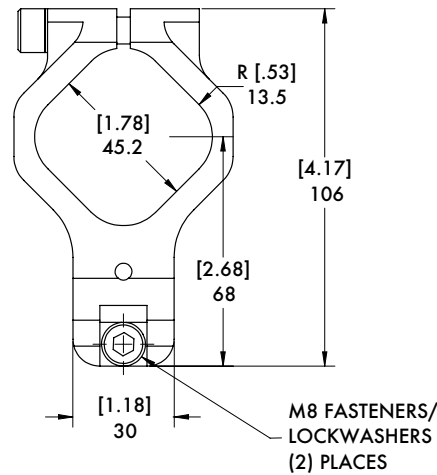
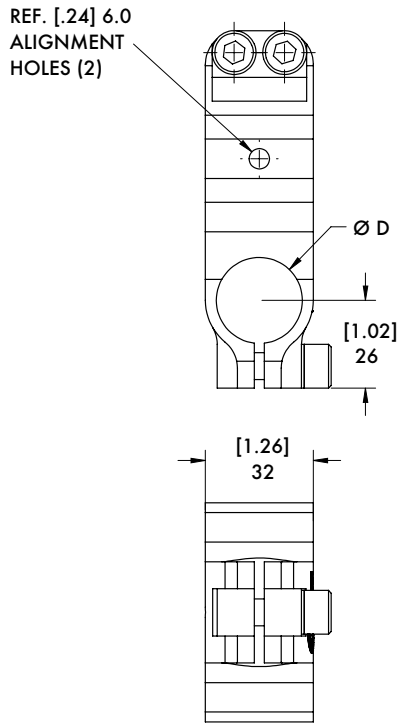
45B-25M (-10E) 45mm Octagon to 25mm or 1 in. Round



Specifications:

Max. Static Clamp Load:
407 Nm [300 ft-lb]

Material: High Strength Aluminum



Model Number	Weight	ØD
M-45B-25M-M	239g [0.53lbs]	25mm
M-45B-10E-M	237g [0.52lbs]	1 in.

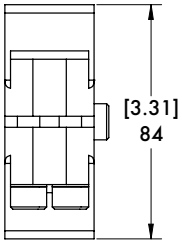
Dimensions and technical information are subject to change without notice



BODYBUILDER™ SQUARE CLAMPS

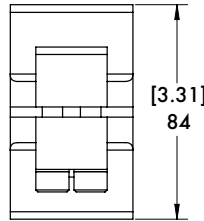
BodyBuilder™ Octagonal Tooling | Dimensions | Technical Specifications

60B-25M 60mm Octagon to 25mm Round

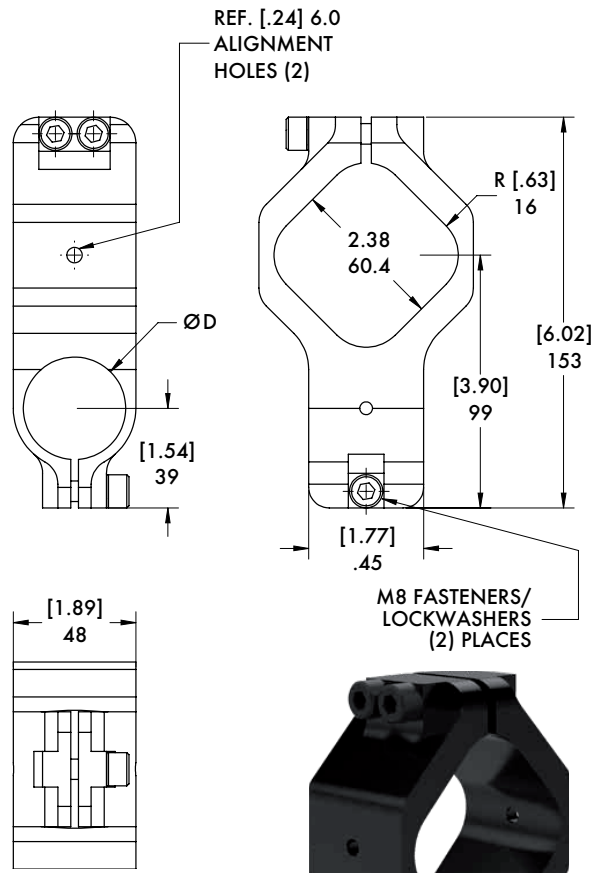
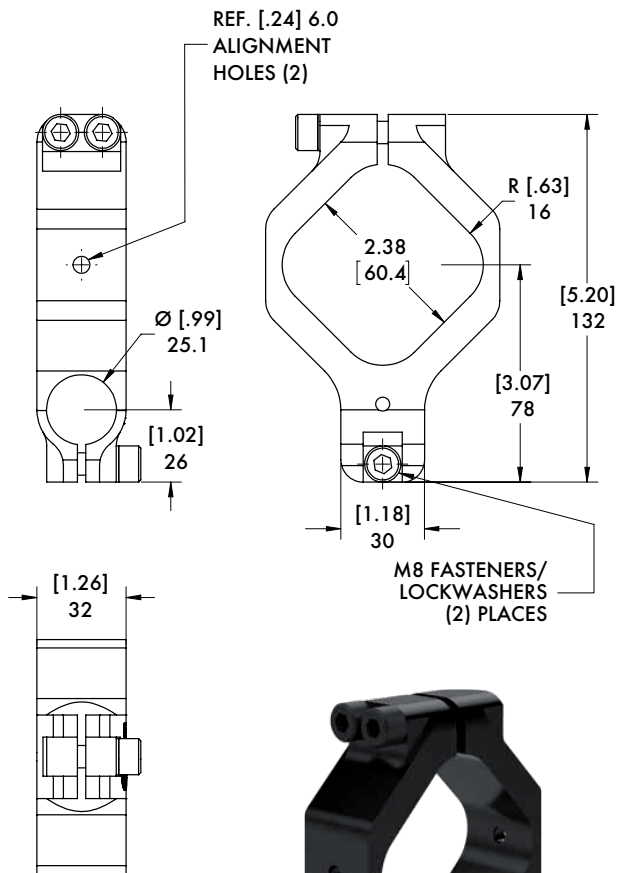


Specifications:
 Max. Static Clamp Load:
 407 Nm [300 ft-lb]
 Material: High Strength Aluminum

60B-40M (-15E) 60mm Octagon to 40mm or 1.5 in. Round



Specifications:
 Max. Static Clamp Load:
 813 Nm [600 ft-lb]
 Material: High Strength Aluminum



Model Number	Weight
M-60B-25M-M	356g [0.78lbs]

Model Number	Weight	ØD
M-60B-40M-M	520g [1.15lbs]	40mm
M-60B-15E-M	535g [1.18lbs]	1.5 in.

Dimensions and technical information are subject to change without notice

BODYBUILDER™ TRANSITION BRACKETS AND BLOCKS **Body Builder**

BodyBuilder™ Octagonal Tooling | Dimensions | Technical Specifications

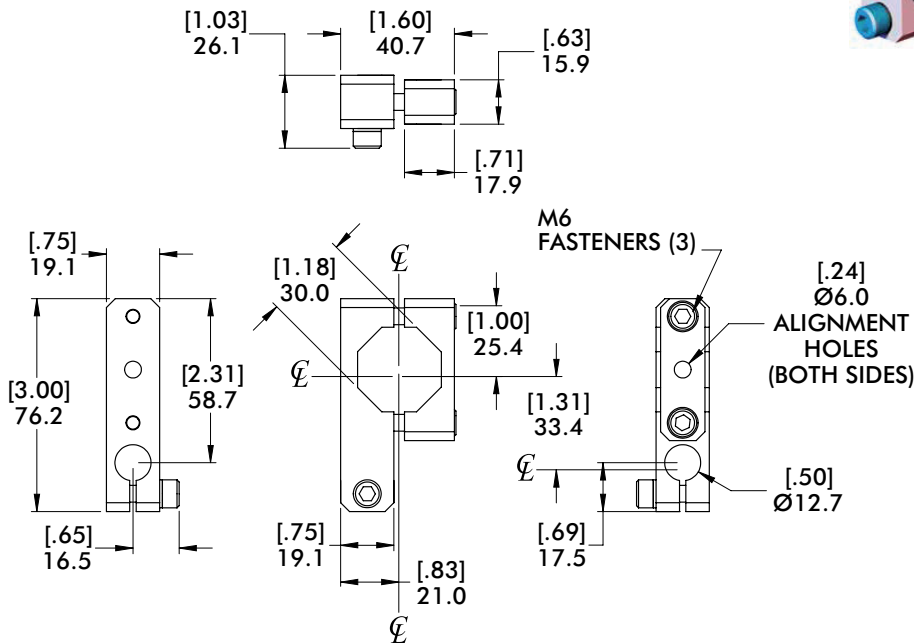
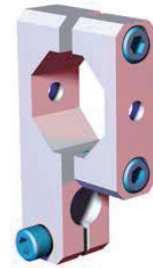
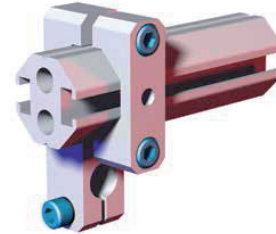
CLM-30B-50 30mm Octagon to Ø50"(in) Round Transition Bracket Assembly

Features:

- Connects BodyBuilder™ extrusion and round tubing perpendicular to each other.
- Lightweight, high-strength aluminum design.

Specifications:

Max. Static Clamp Load:
102 Nm [75 ft-lb]
Material: Aluminum



Model Number	Weight
CPI-CLM-30B-50-TR	.092 kg [.20 lb]

Dimensions and technical information are subject to change without notice