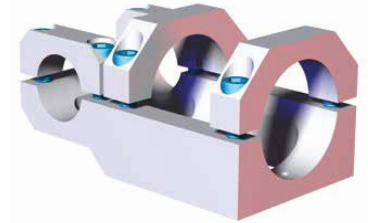


## T-CLAMP TRANSITION BRACKETS AND BLOCKS

Nominal (Ø) given  
See chart on Page 72  
for actual (Ø) size

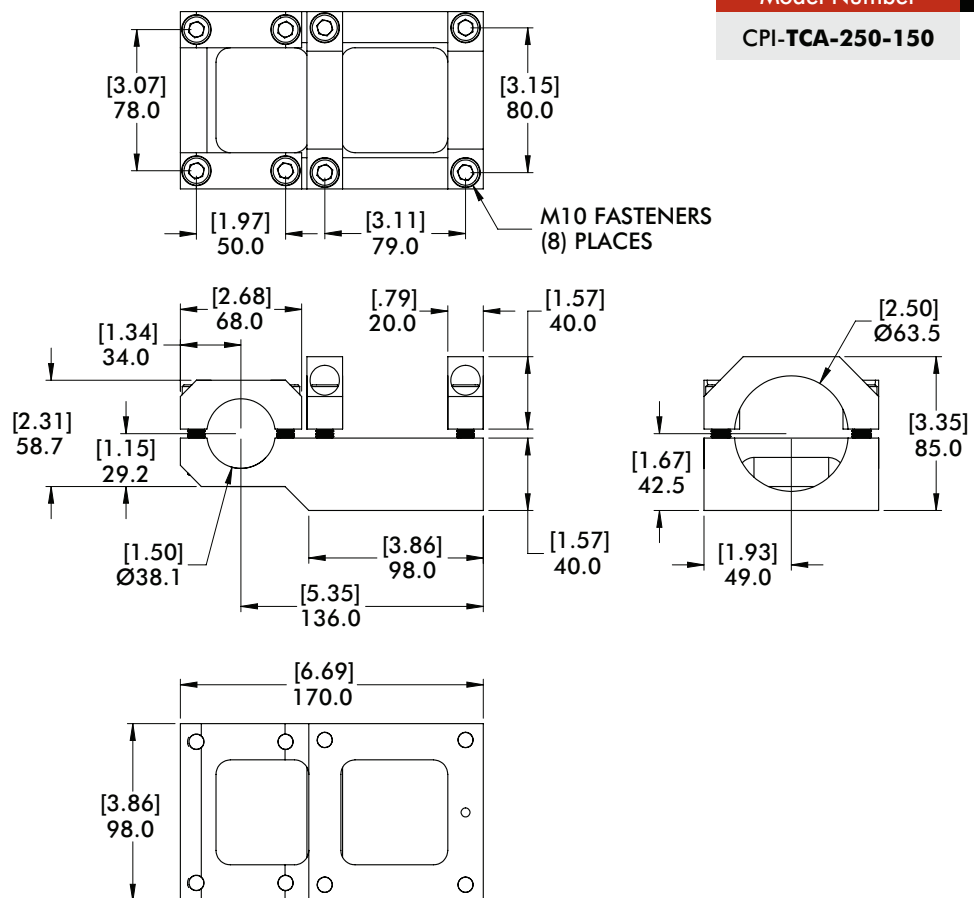
Round Tooling | Dimensions | Technical Specifications

**TCA** Ø2.50" to Ø1.50" T-Clamp Bracket Assembly



**Specifications:**  
 Max. Static Clamp Load:  
 Ø1.50":  
 271 N\*m [200 ft-lb]  
 Ø2.50":  
 677 N\*m [500 ft-lb]  
 Material: Aluminum

Model Number	Weight
<b>CPI-TCA-250-150</b>	[2.76 lb] 1.25 kg



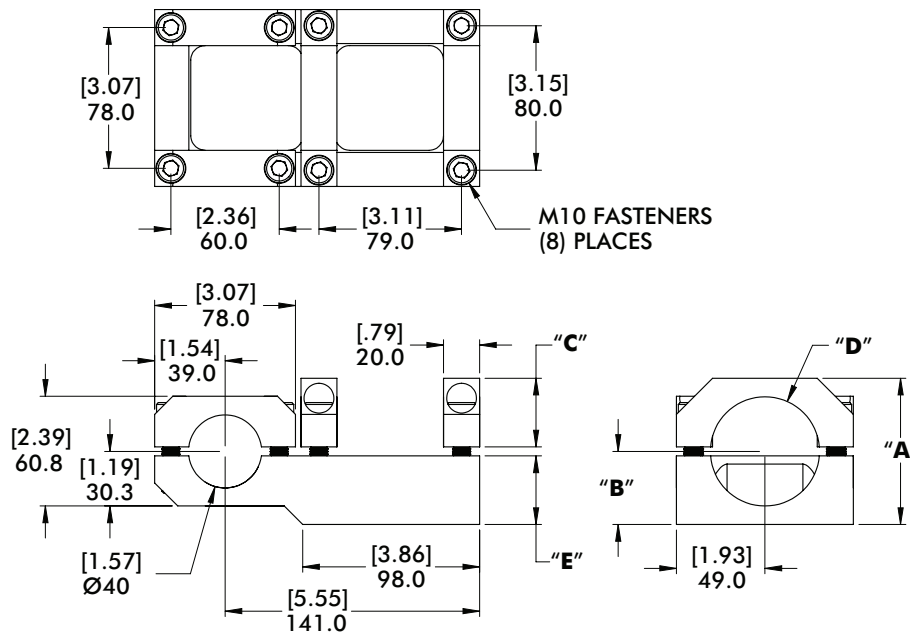
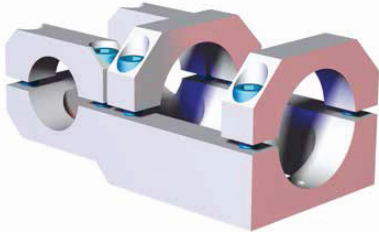
Dimensions and technical information are subject to change without notice

## T-CLAMP TRANSITION BRACKETS AND BLOCKS

Round Tooling | Dimensions | Technical Specifications

Nominal (Ø) given  
See chart on Page 72  
for actual (Ø) size

**TCA** Ø60mm/2.50" to Ø40mm T-Clamp Bracket Assembly



**Specifications:**  
Max. Static Clamp Load:  
Ø40mm:  
271 N\*m [200 ft-lb]  
Ø60mm/2.50":  
677 N\*m [500 ft-lb]  
Material: Aluminum

Model Number	(Ø) "D"	"A"	"B"	"C"	"E"	Weight
CPI-TCA-60M-40M	60mm	[3.19] 81.0	[1.59] 40.5	[1.50] 38.0	[1.50] 38.0	[2.89 lb] 1.31 kg

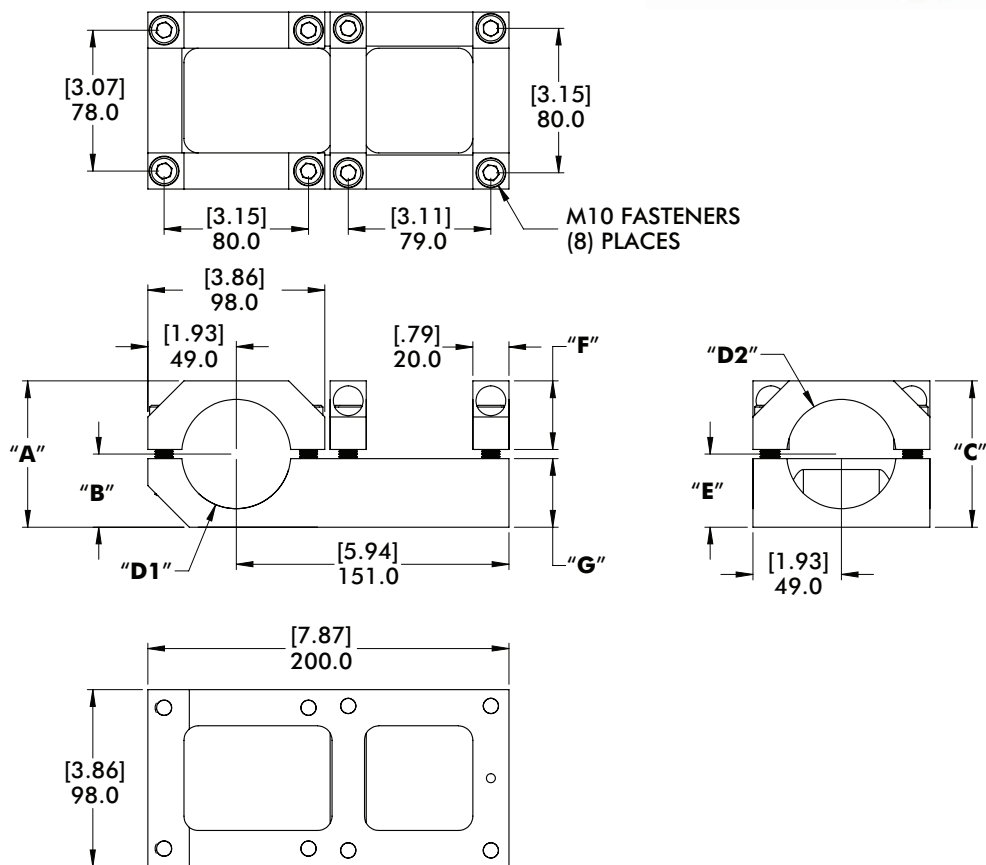
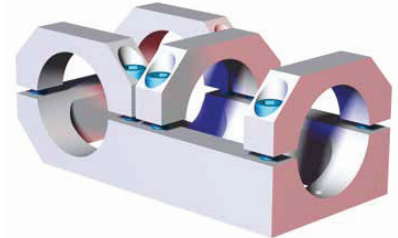
Dimensions and technical information are subject to change without notice

## T-CLAMP TRANSITION BRACKETS AND BLOCKS

Nominal (Ø) given  
See chart on Page 72  
for actual (Ø) size

Round Tooling | Dimensions | Technical Specifications

TCA Ø60mm/2.50" to Ø60mm/2.50" T-Clamp Bracket Assembly



**Specifications:**  
Max. Static Clamp Load:  
813 N\*m [600 ft-lb]  
Material: Aluminum

Model Number	(Ø)"D1"	(Ø)"D2"	"A"	"B"	"C"	"E"	"F"	"G"	Weight
CPI-TCA-60M-60M	60mm	60mm	[3.19] 81.0	[1.59] 40.5	[3.19] 81.0	[1.59] 40.5	[1.50] 38.0	[1.50] 38.0	[3.15 lb]
CPI-TCA-250-250	2.50"(in)	2.50"(in)	[3.35] 85.0	[1.67] 42.5	[3.35] 85.0	[4.67] 42.5	[1.57] 40.0	[1.57] 40.0	1.43 kg

Dimensions and technical information are subject to change without notice