

## OA - MF

### Griffserien OA und MF

**Werkstoff und Oberfläche:**  
Flachoval-Profilaluminium  
AlMgSi 0,5; gleitgeschliffen und  
pulverbeschichtet in RAL 9002  
grauweiß.

**Farbsonderausführungen:**  
Andere RAL-Farbtöne auf  
Anfrage.

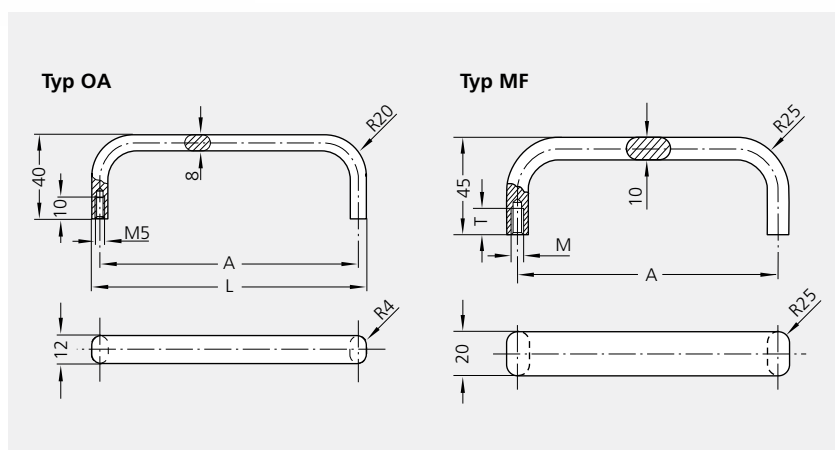
**Tragkraft:**  
min. 500 N.

### Handle Series OA and MF

**Material and surface:**  
Flat-oval profiled aluminium  
AlMgSi 0.5; vibratory ground  
and powder coated in RAL  
9002 grey white.

**Special colour versions:**  
Other RAL shades are available  
on request.

**Stress resistance:**  
min. 500 N.



| Typ | A   | grauweiß / grey white<br>RAL 9002 |    |                |
|-----|-----|-----------------------------------|----|----------------|
|     |     | Bestell-Nr. / Order no.           |    |                |
| OA  | 55  | OA-12.055.9002                    |    |                |
|     | 88  | OA-12.088.9002                    |    |                |
|     | 100 | OA-12.100.9002                    |    |                |
|     | 120 | OA-12.120.9002                    |    |                |
|     | 180 | OA-12.180.9002                    |    |                |
|     | 200 | OA-12.200.9002                    |    |                |
|     | 235 | OA-12.235.9002                    |    |                |
|     | 250 | OA-12.250.9002                    |    |                |
|     |     | M                                 | T  |                |
| MF  | 120 | MF-20.120.9002                    |    |                |
|     | 140 | MF-20.140.9002                    |    |                |
|     | 180 | 5                                 | 10 | MF-20.180.9002 |
|     | 200 |                                   |    | MF-20.200.9002 |
|     | 350 | 6                                 | 12 | MF-20.350.9002 |