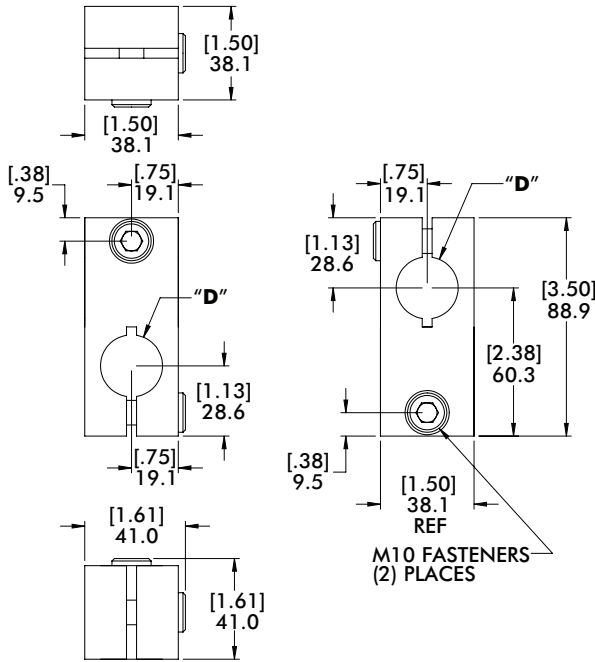


CROSS TRANSITION BRACKETS AND BLOCKS

Round Tooling | Dimensions | Technical Specifications

Nominal (Ø) given
See chart on Page 72
for actual (Ø) size

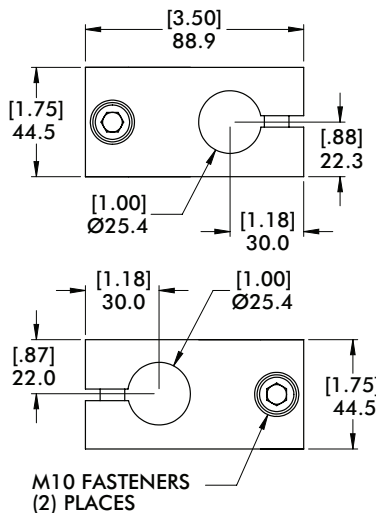
SC-xx-xx Ø25mm/1.00" to Ø25mm/1.00" (Single Bolt)



Specifications:
Max. Static Clamp Load:
162 N*m [120 ft-lb]
Material: Aluminum

Model Number	(Ø)"D"	Weight	Finish
CPI-SC-25-25	25mm		SILVER
CPI-SC-25-25-BL	25mm	[.60 lb] .27 kg	BLUE
CPI-SC-1010	1.00"(in)		SILVER

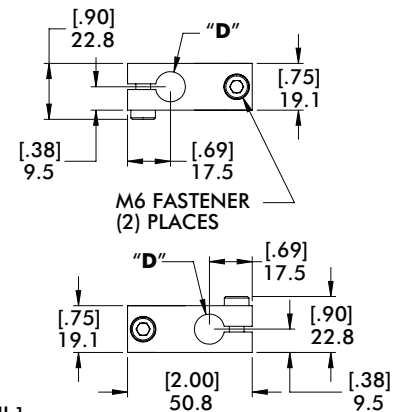
M1513 Ø1.00" to Ø1.00"



Specifications:
Max. Static
Clamp Load:
203 N*m [150 ft-lb]
Material: Aluminum

Model Number	Weight
M1513	[.82 lb] .37 kg

CLM Ø12mm/.50" to Ø12mm/.50"



Specifications:
Max. Static
Clamp Load:
13.6 N*m [10 ft-lb]
Material: Aluminum

Model Number	(Ø)"D"	Weight
CPI-CLM-12M-12M	12mm	[.10 lb] .05 kg
CPI-CLM-50-50	.50"(in)	

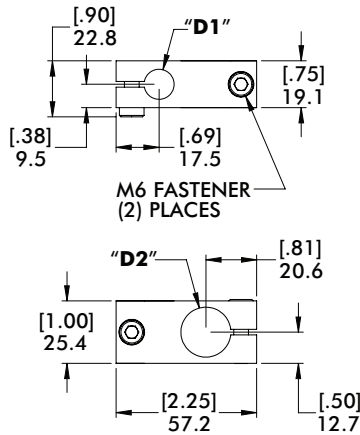
Dimensions and technical information are subject to change without notice

CROSS TRANSITION BRACKETS AND BLOCKS

Round Tooling | Dimensions | Technical Specifications

Nominal (Ø) given
See chart on Page 72
for actual (Ø) size

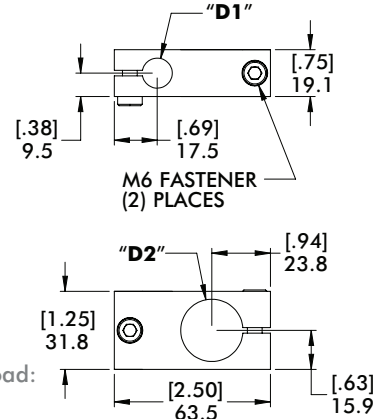
CLM Ø20mm/.75" to Ø12mm/.50"



Specifications:
Max. Static
Clamp Load:
Ø20mm/.75":
20.3 N*m [15 ft-lb]
Ø12mm/.50":
13.6 N*m [10 ft-lb]
Material: Aluminum

Model Number	(Ø)"D1"	(Ø)"D2"	Weight
CPI-CLM-20M-12M	12mm	20mm	[13 lb] .06 kg
CPI-CLM-75-50	.50"(in)	.75 in	

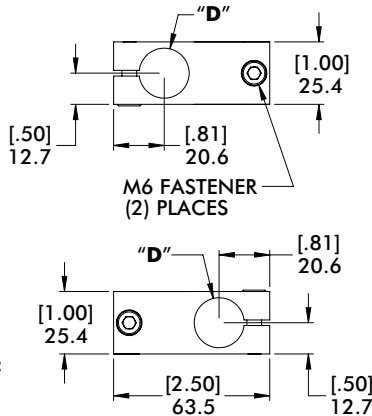
CLM Ø25mm/1.00" to Ø12mm/.50"



Specifications:
Max. Static Clamp Load:
Ø25mm/1.00":
67.8 N*m [50 ft-lb]
Ø12mm/.50":
13.6 N*m [10 ft-lb]
Material: Aluminum

Model Number	(Ø)"D1"	(Ø)"D2"	Weight
CPI-CLM-25M-12M	12mm	25mm	[.08 lb] .17 kg
CPI-CLM-10-50	.50"(in)	1.00"(in)	

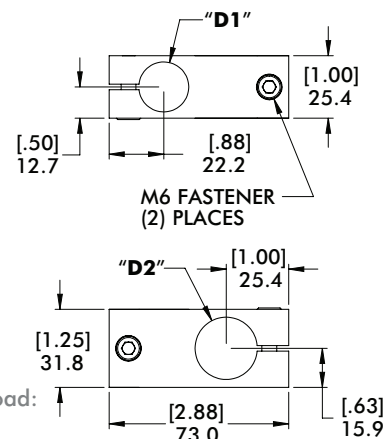
CLM Ø20mm/.75" to Ø20mm/.75"



Specifications:
Max. Static
Clamp Load:
20.3 N*m
[15 ft-lb]

Model Number	(Ø)"D"	Weight
CPI-CLM-20M-20M	20mm	[.16 lb] .07 kg
CPI-CLM-20M-20M-ST	20mm	[.40 lb] .18 kg
CPI-CLM-75-75	.75"(in)	[.17 lb] .08 kg

CLM Ø25mm/1.00" to Ø20mm/.75"



Specifications:
Max. Static Clamp Load:
Ø25mm/1.00":
67.8 N*m [50 ft-lb]
Ø20mm/.75":
20.3 N*m [15 ft-lb]
Material: Aluminum

Model Number	(Ø)"D1"	(Ø)"D2"	Weight
CPI-CLM-25M-20M	20mm	25mm	[.23 lb] .11 kg
CPI-CLM-10-75	.75"(in)	1.00"(in)	

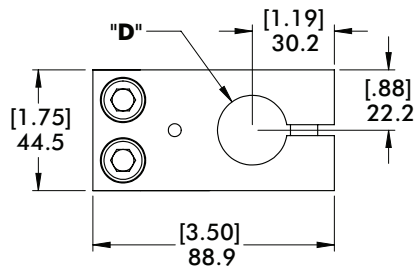
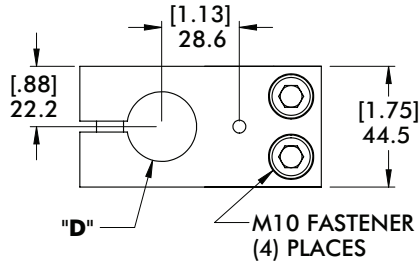
Dimensions and technical information are subject to change without notice

CROSS TRANSITION BRACKETS AND BLOCKS

Round Tooling | Dimensions | Technical Specifications

Nominal (Ø) given
See chart on Page 72
for actual (Ø) size

M-xxx-xxx-M Ø25mm/1.00" to Ø25mm/1.00" (Double Bolt)

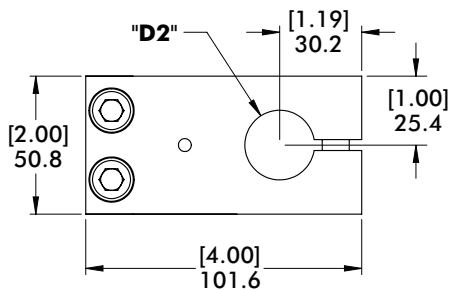
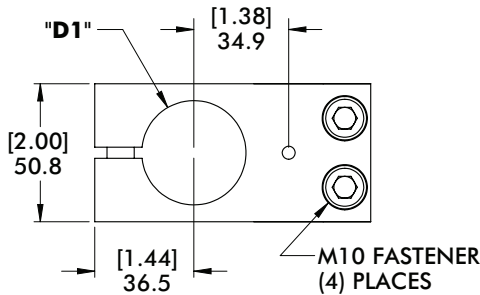


Specifications:

Max. Static Clamp Load:
Ø25mm/1.00":
434 N*m [320 ft-lb]
Material: Aluminum

Model Number	(Ø)"D"	Weight	Finish
M-25M-25M-M	25mm	[.93 lb] .42 kg	BLUE
M-10E-10E-M	1.00"(in)		BLACK

M-xxx-xxx-M Ø40mm/1.25"/1.50" to Ø25mm/1.00" (Double Bolt)



Specifications:

Max. Static Clamp Load:
Ø25mm/1.00":
434 N*m [320 ft-lb]
Ø40mm/1.50":
624 N*m [460 ft-lb]
Material: Aluminum

Model Number	(Ø)"D1"	(Ø)"D2"	Weight	Finish
M-10E-12E-M	1.25"(in)	1.00"(in)	[1.29 lb] .58 kg	BLACK
M-10E-15E-M	1.50"(in)	1.00"(in)	[1.18 lb] .54 kg	BLACK
M-25M-40M-M	40mm	25mm		BLUE

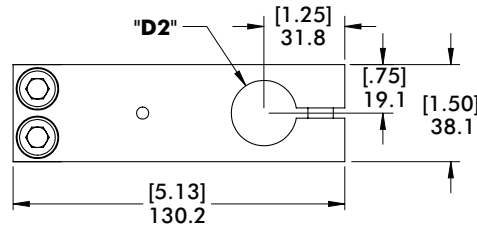
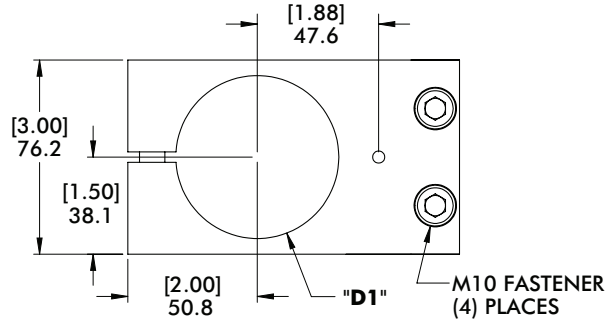
Dimensions and technical information are subject to change without notice

CROSS TRANSITION BRACKETS AND BLOCKS

Round Tooling | Dimensions | Technical Specifications

Nominal (Ø) given
See chart on Page 72
for actual (Ø) size

M-xxx-xxx-M Ø60mm/2.50" to Ø25mm/1.00" (Double Bolt)



Specifications:

Max. Static Clamp Load:

Ø25mm/1.00":

434 N*m [320 ft-lb]

Ø60mm/2.50":

813 N*m [600 ft-lb]

Material: Aluminum

Model Number	(Ø)"D1"	(Ø)"D2"	Weight	Finish
M-25M-60M-M	60mm	25mm	[1.52 lb] .69 kg	BLUE
M-10E-25E-M	2.50"(in)	1.00"(in)	[1.44 lb] .65 kg	BLACK

M-xxx-xxx-M Ø40mm/1.25"/1.50" to Ø40mm/1.25"/1.50" (Double Bolt)



Specifications:

Max. Static Clamp Load:

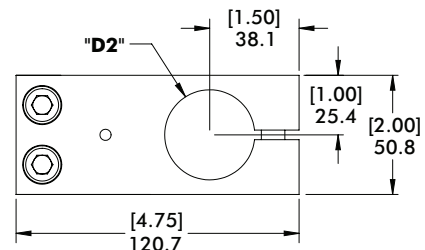
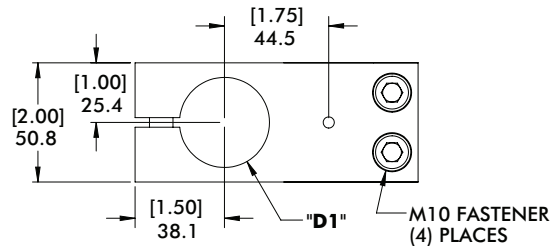
Ø1.25":

515 N*m [380 ft-lb]

Ø40mm/1.50":

624 N*m [460 ft-lb]

Material: Aluminum



Model Number	(Ø)"D1"	(Ø)"D2"	Weight	Finish
M-12E-12E-M	1.25"(in)	1.25"(in)	[1.51 lb] .69 kg	BLACK
M-12E-15E-M	1.25"(in)	1.50"(in)	[1.41 lb] .64 kg	BLACK
M-15E-15E-M	1.50"(in)	1.50"(in)	[1.31 lb] .59 kg	BLACK
M-40M-40M-M	40mm	40mm	[1.23 lb] .56 kg	BLUE

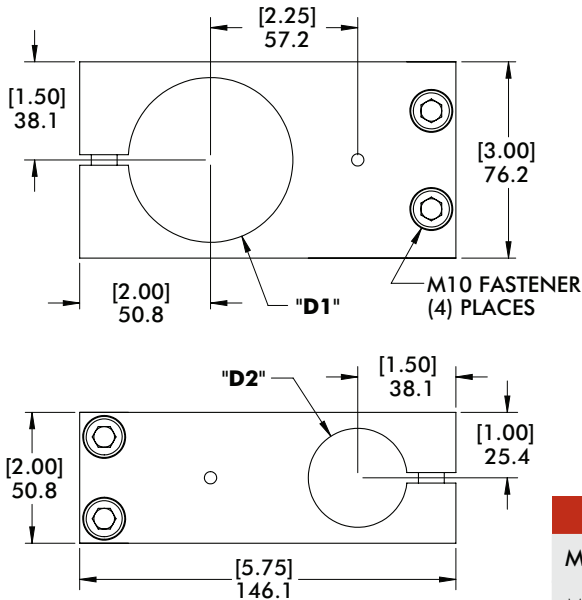
Dimensions and technical information are subject to change without notice

CROSS TRANSITION BRACKETS AND BLOCKS

Round Tooling | Dimensions | Technical Specifications

Nominal (Ø) given
See chart on Page 72
for actual (Ø) size

M-xxx-xxx-M Ø60mm/2.50 to Ø40mm/1.50" (Double Bolt)



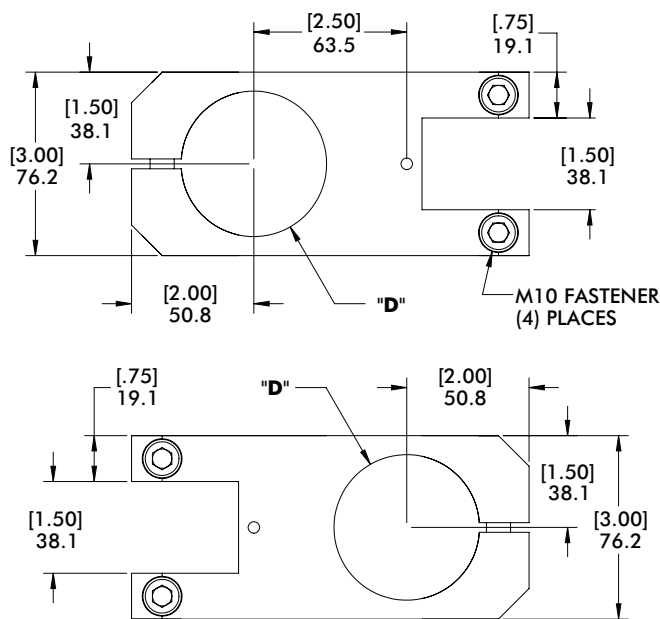
Specifications:

Max. Static Clamp Load:
Ø40mm/1.50":
624 N*m [460 ft-lb]
Ø60mm/2.50":
813 N*m [600 ft-lb]
Material: Aluminum



Model Number	(Ø)"D1"	(Ø)"D2"	Weight	Finish
M-40M-60M-M	60mm	40mm	[2.08 lb] .95 kg	BLUE
M-15E-25E-M	2.50"(in)	1.50"(in)		BLACK

M-xxx-xxx-M Ø60mm/2.50" to Ø60mm/2.50" (Double Bolt)



Specifications:

Max. Static Clamp Load:
813 N*m [600 ft-lb]
Material: Aluminum



Model Number	(Ø)"D"	Weight	FINISH
M-60M-60M-M	60mm	[2.07 lb] .94 kg	BLUE
M-25E-25E-M	2.50"(in)	[2.03 lb] .92 kg	BLACK

Dimensions and technical information are subject to change without notice