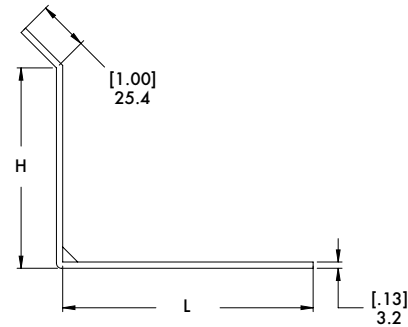
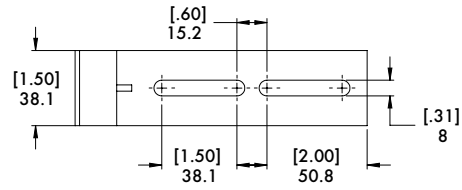


NEST PAD GUIDES

Round Tooling | Dimensions | How To Order

Single

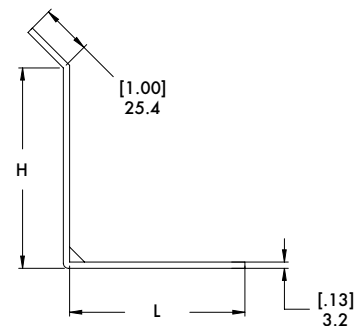
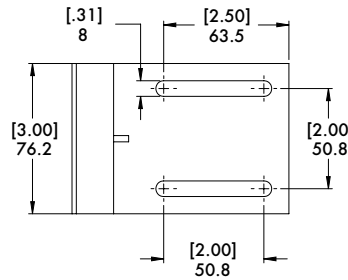


CPI – **NPG** – **24E** – [] – []

Base Model
NPG
Steel Nest
Pad Guides
Single

	Length		Height
05	5.00"	04	4.00"
06	6.00"	06	6.00"
07	7.00"	08	8.00"
08	8.00"		

Wide



CPI – **NPG** – **24S** – [] – []

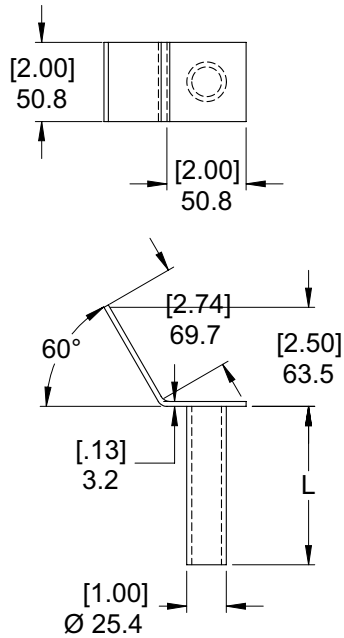
Base Model
NPG
Steel Nest
Pad Guides
Wide

	Length		Height
3.5	3.50"	04	4.00"
4.5	4.50"	06	6.00"
5.5	5.50"	08	8.00"
6.5	6.50"		

Dimensions and technical information are subject to change without notice

NEST PAD GUIDES

Round Tooling | Dimensions | How To Order



CPI - **NPG** - **10** - 

Base Model
NPG
Steel Nest
Pad Guides

Length

04	4.00"
06	6.00"
08	8.00"
10	10.00"
12	12.00"
14	14.00"

Dimensions and technical information are subject to change without notice