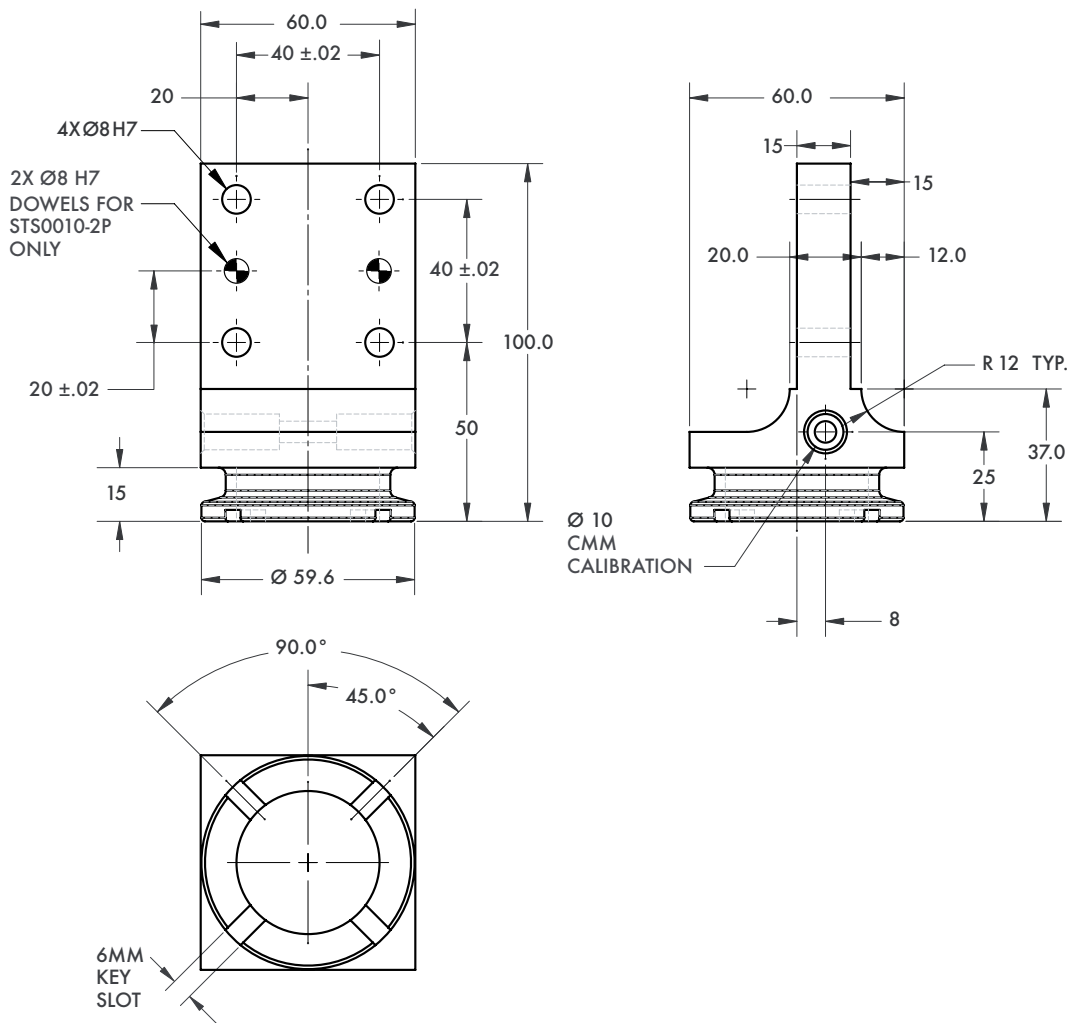
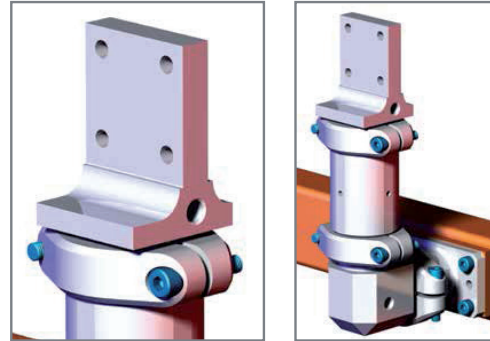
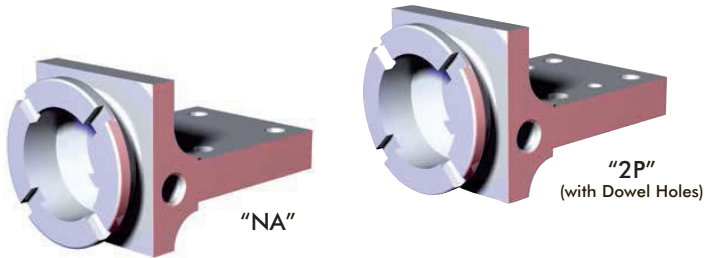


## SPIDERGRIP EDGE MOUNTING COMPONENTS

Spidergrip Tooling Components | Dimensions | Technical Specifications



Ø60mm 90° Edge Part with 15mm Center to Face Offset  
40mm x 40mm Mounting Pattern



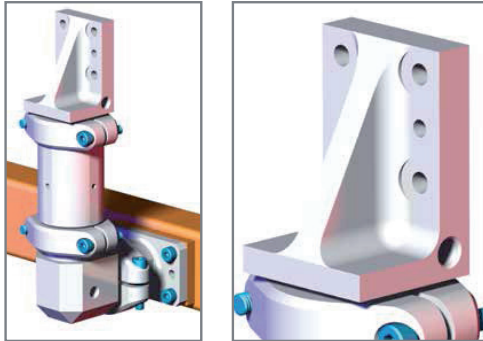
Model Number	Weight
STS0010-NA	.31 kg [.69 lb]
STS0010-NA-2P	

Dimensions and technical information are subject to change without notice

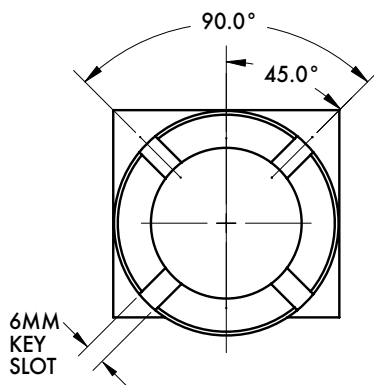
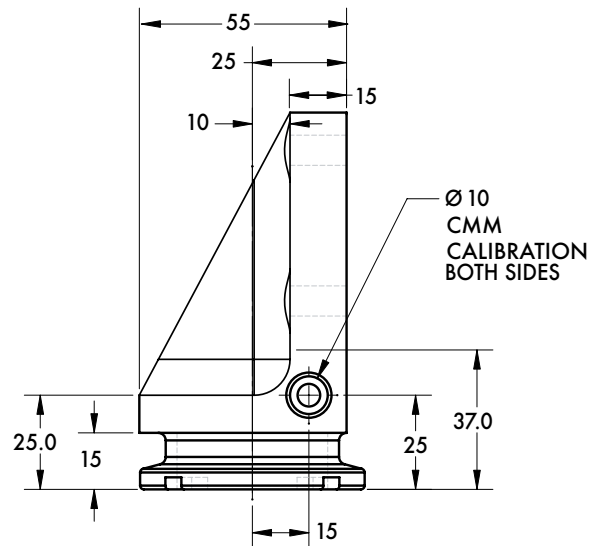
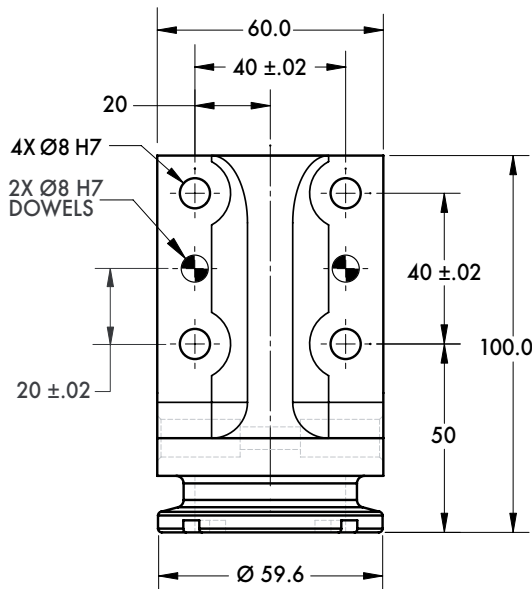
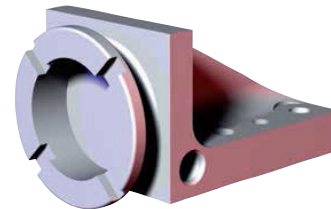


## SPIDERGRIP EDGE MOUNTING COMPONENTS

Spidergrip Tooling Components | Dimensions | Technical Specifications



Ø60mm 90° Edge Part with 25mm Center to Face Offset  
40mm x 40mm Mounting Pattern



Model Number	Weight
STS0011-NA-2P	.35 kg [.77 lb]

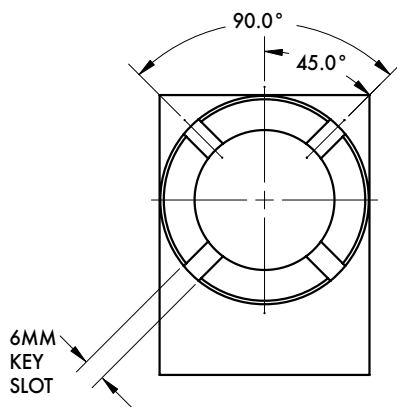
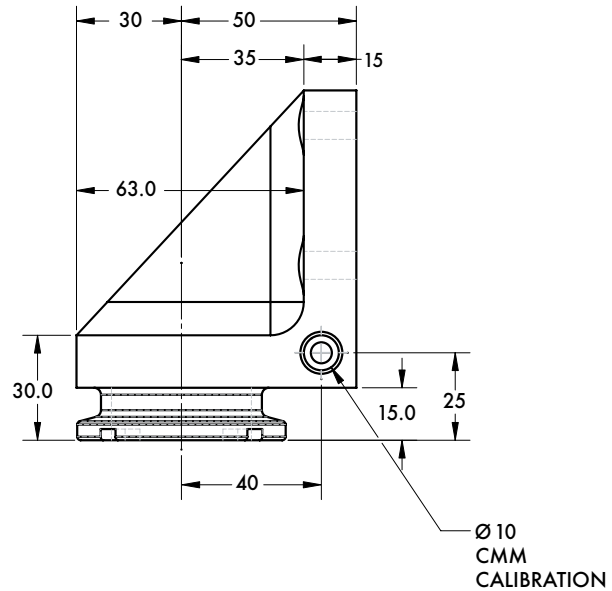
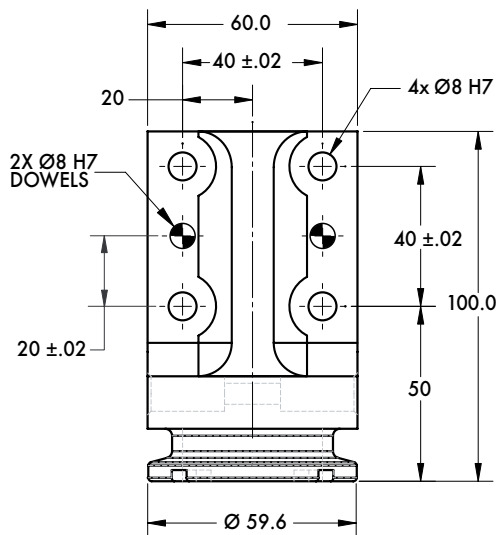
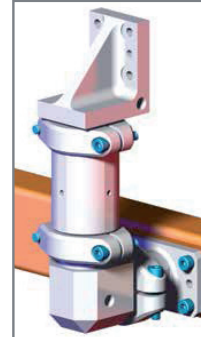
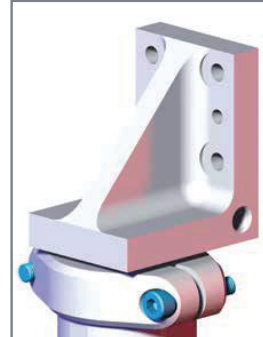
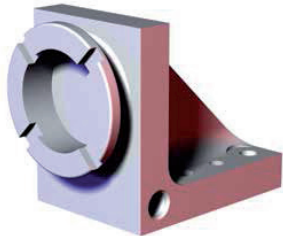
Dimensions and technical information are subject to change without notice

## SPIDERGRIP EDGE MOUNTING COMPONENTS

Spidergrip Tooling Components | Dimensions | Technical Specifications



Ø60mm 90° Edge Part with 50mm Center to Face Offset  
40mm x 40mm Mounting Pattern



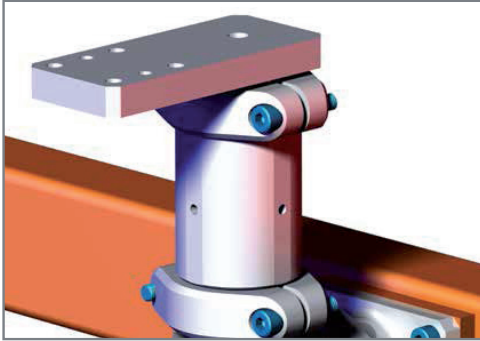
Model Number	Weight
STS0012-NA-2P	.47 kg [1.04 lb]

Dimensions and technical information are subject to change without notice

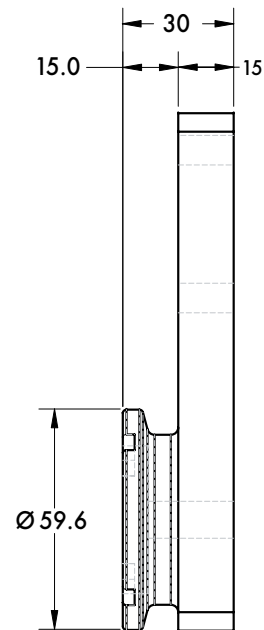
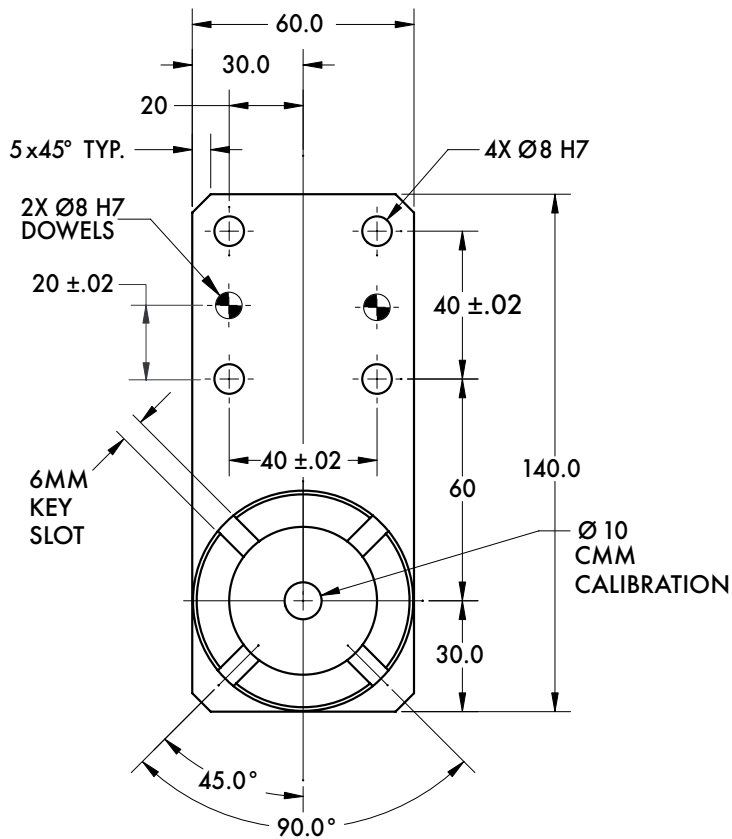


## SPIDERGRIP EDGE MOUNTING COMPONENTS

Spidergrip Tooling Components | Dimensions | Technical Specifications



Ø60mm Offset Edge Part with 25mm Face Offset  
40mm x 40mm Mounting Pattern



**Model Number**

**Weight**

STS0014-NA-2P

.39 kg [.85 lb]

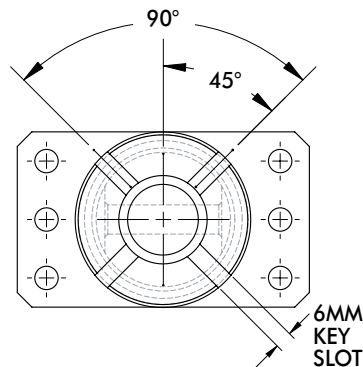
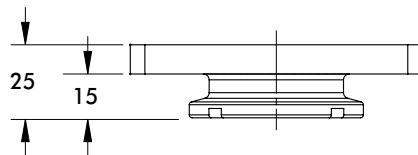
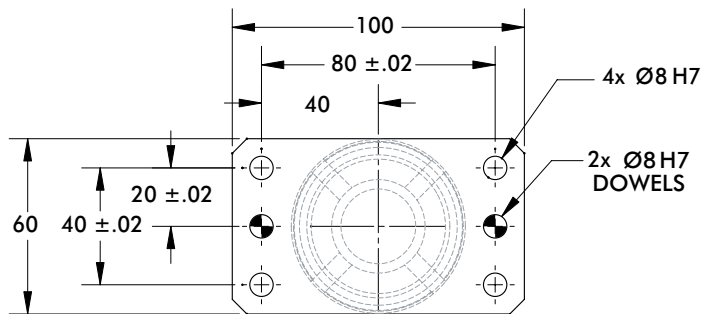
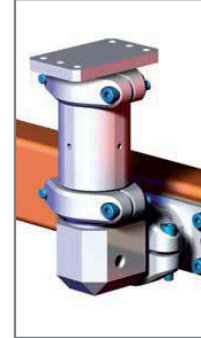
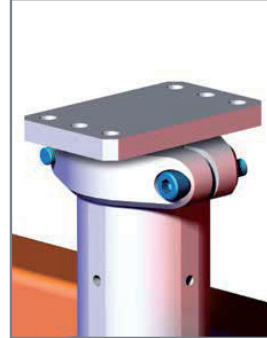
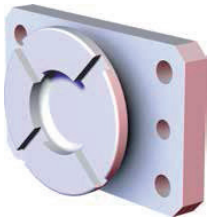
Dimensions and technical information are subject to change without notice

## SPIDERGRIP EDGE MOUNTING COMPONENTS

Spidergrip Tooling Components | Dimensions | Technical Specifications



Ø60mm In-line Edge Part with 25mm Face Offset  
80mm x 40mm Mounting Pattern



Model Number	Weight
STS0015-NA-2P	.21 kg [.46 lb]

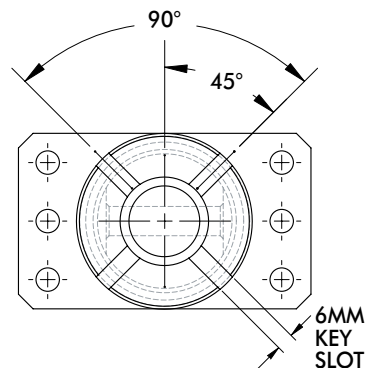
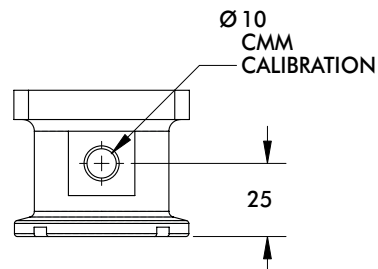
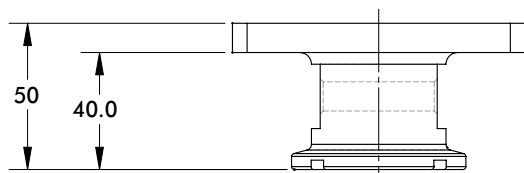
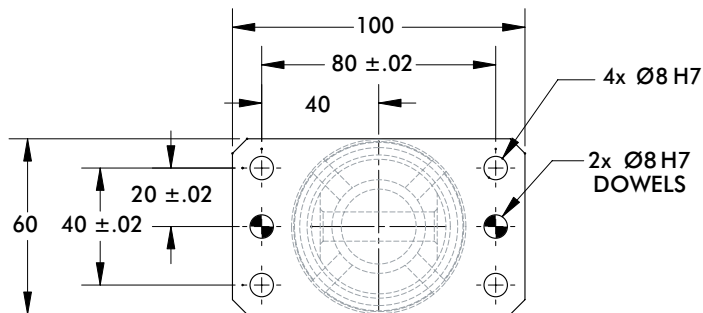
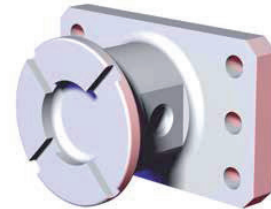
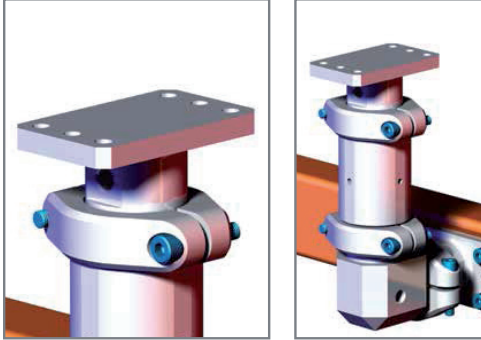
Dimensions and technical information are subject to change without notice



## SPIDERGRIP EDGE MOUNTING COMPONENTS

Spidergrip Tooling Components | Dimensions | Technical Specifications

Ø60mm In-line Edge Part with 50mm Face Offset  
80mm x 40mm Mounting Pattern



Model Number	Weight
STS0019-NA-2P	.32 kg [.71 lb]

Dimensions and technical information are subject to change without notice