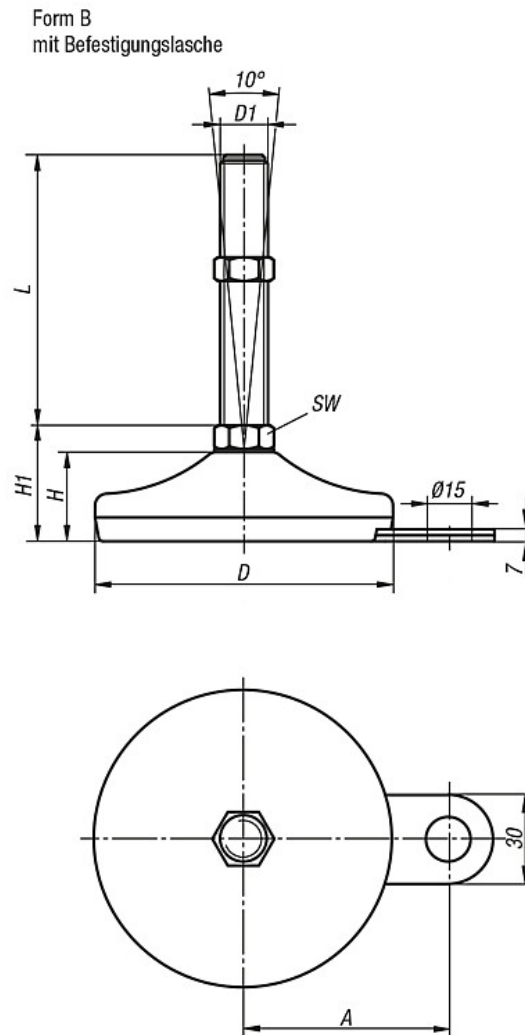


Artikelbeschreibung/Produktabbildungen

Beschreibung

Zeichnungen



Artikelübersicht

Bestellnummer	Material	Form	A	D	D1	H	H1	SW	L	Belastbarkeit max. kN
K0739.2108010X	Stahl	B	54	80	M10	25	35	14	50/100	10
K0739.2108012X	Stahl	B	54	80	M12	25	35	14	50/100/150	10
K0739.2108014X	Stahl	B	54	80	M14	25	35	14	50/100/150	10
K0739.2108016X	Stahl	B	54	80	M16	25	35	16	100/150	10
K0739.2108020X	Stahl	B	54	80	M20	25	36	20	75/100/150/200/75/100/150/200/250	10
K0739.2110024X	Stahl	B	69	100	M24	28	38,5	24	100/150/200/250	15
K0739.2208010X	Edelstahl	B	54	80	M10	25	35	14	50/75/100/125	10
K0739.2208012X	Edelstahl	B	54	80	M12	25	35	14	50/75/100/125/150	10
K0739.2208014X	Edelstahl	B	54	80	M14	25	35	14	75/100/125/150/175	10
K0739.2208016X	Edelstahl	B	54	80	M16	25	35	13	75/100/125/150/175	10
K0739.2208020X	Edelstahl	B	54	80	M20	25	38	17	75/100/125/150/175/200/225/75/100/125/150/175/200	10

### Artikelübersicht

Bestellnummer	Material	Form	A	D	D1	H	H1	SW	L	Belastbarkeit max. kN
K0739.2210024X	Edelstahl	B	69	100	M24	30	44	20	100/125/150/175/200	15