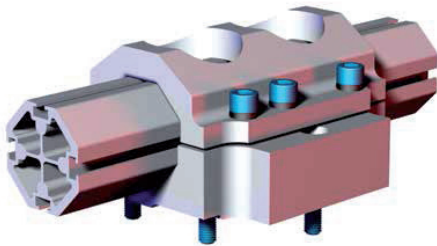




## BodyBuilder™ Octagonal Tooling | Dimensions | Technical Specifications

### ATI-151-90HD-60BB 60mm Mid Mount

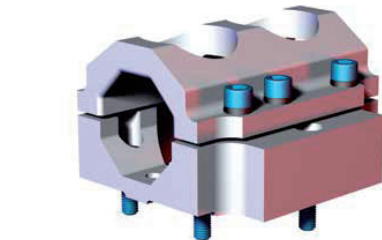
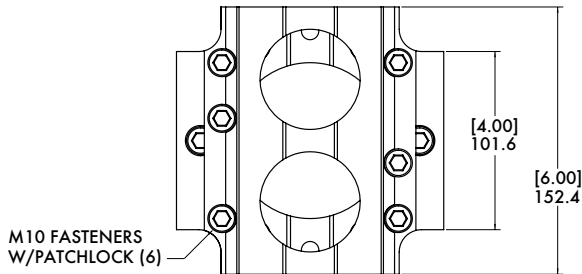


**Specifications:**

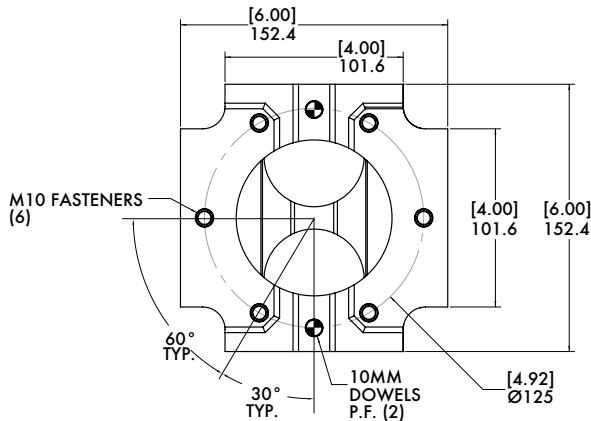
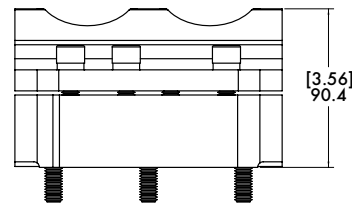
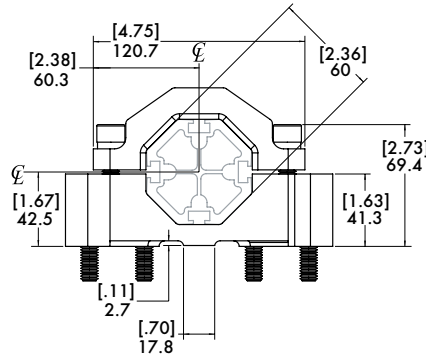
**Max. Static Product Load:**  
746 Nm [550 ft-lb ]  
**Material:** Aluminum

**Features:**

- Can be used as direct robot interface.



Fasteners included, Dowels not included



Model Number	Weight
<b>CPI-ATI-151-90HD-60BB</b>	3.22 kg [7.10 lb]

Dimensions and technical information are subject to change without notice



## BodyBuilder™ Octagonal Tooling | Dimensions | Technical Specifications

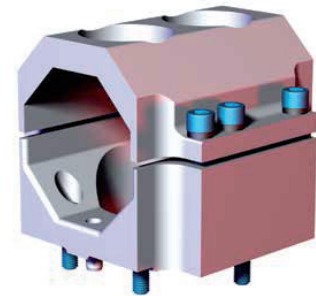
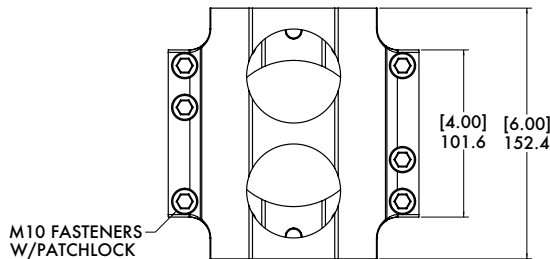
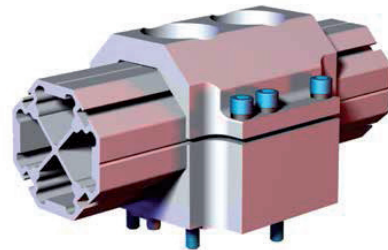
### ATI-151-90HD-90BB 90mm Mid Mount

**Features:**

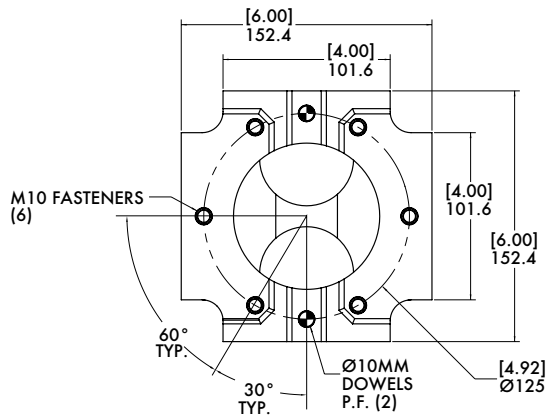
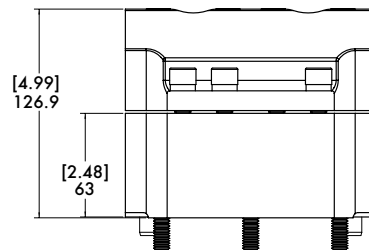
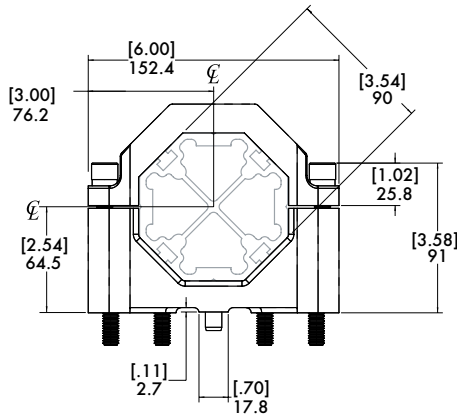
- Can be used as direct robot interface.

**Specifications:**

**Max. Static Product Load:**  
1355 Nm [1000 ft-lb]  
**Material:** Aluminum



Fasteners and Dowels Included



Model Number	Weight
<b>CPI-ATI-151-90HD-90BB</b>	<b>2.89 kg [6.38 lb]</b>

Dimensions and technical information are subject to change without notice