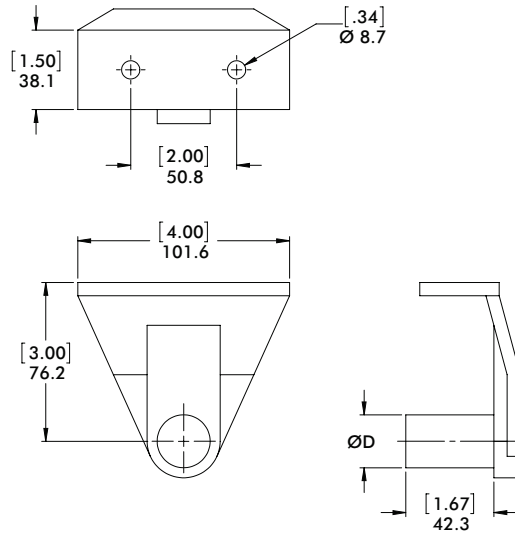
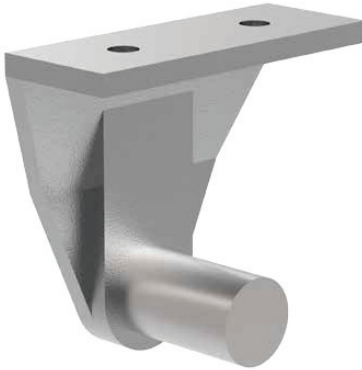


## NEST PAD BRACKETS

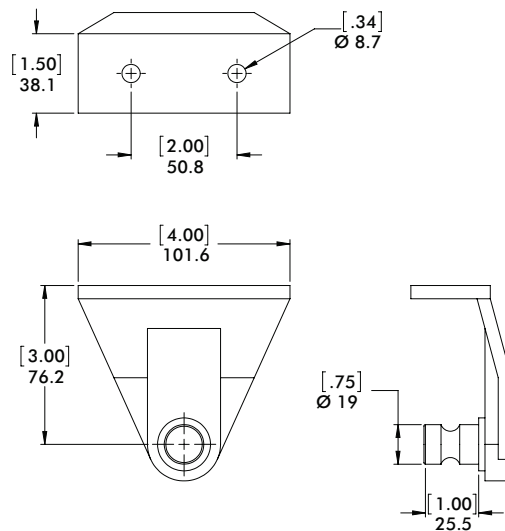
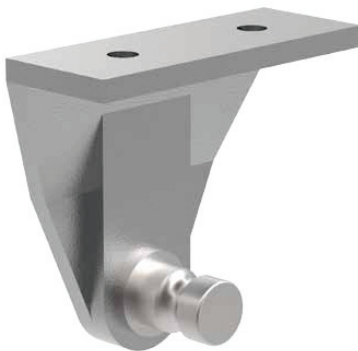
Round Tooling | Dimensions | Technical Specifications

### EST



Model Number	ØD	Weight
<b>CPI-EST-00-1E-24</b>	1 in	142 g [5 oz.]
<b>CPI-EST-00-25-410</b>	25mm	142 g [5 oz.]

### EST Apple Core Version



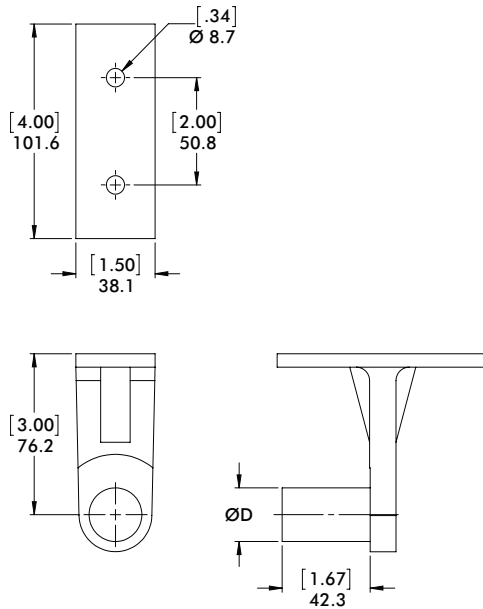
Model Number	Weight
<b>CPI-EST-00-075-24</b>	142 g [5 oz.]
<b>CPI-EST-00-19-410</b>	142 g [5 oz.]

Dimensions and technical information are subject to change without notice

## NEST PAD BRACKETS

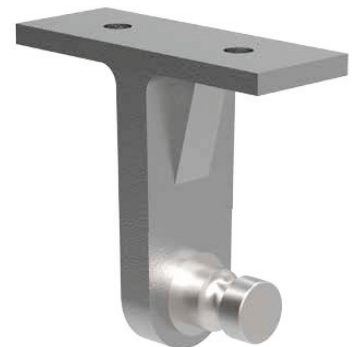
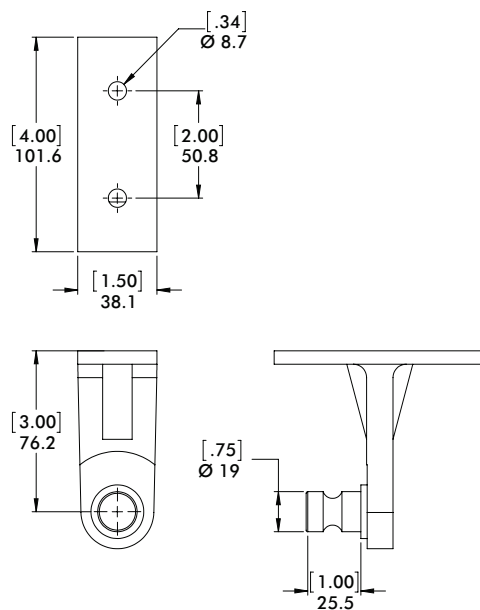
Round Tooling | Dimensions | Technical Specifications

**EST 90° Version**



Model Number	ØD	Weight
<b>CPI-EST-90-1E-24</b>	1 in	142 g [5 oz.]
<b>CPI-EST-90-25E-410</b>	25mm	142 g [5 oz.]

**EST Apple Core 90° Version**



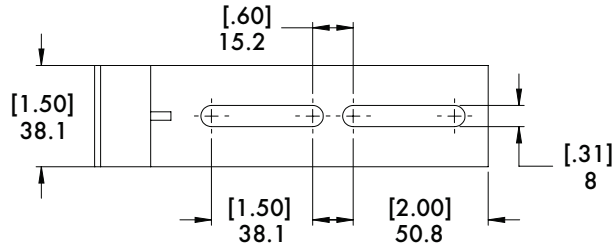
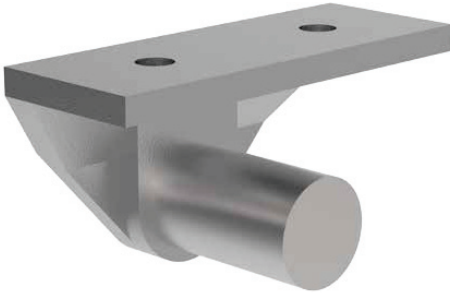
Model Number	Weight
<b>CPI-EST-90-075-24</b>	142 g [5 oz.]
<b>CPI-EST-90-19-410</b>	142 g [5 oz.]

Dimensions and technical information are subject to change without notice

## NEST PAD BRACKETS

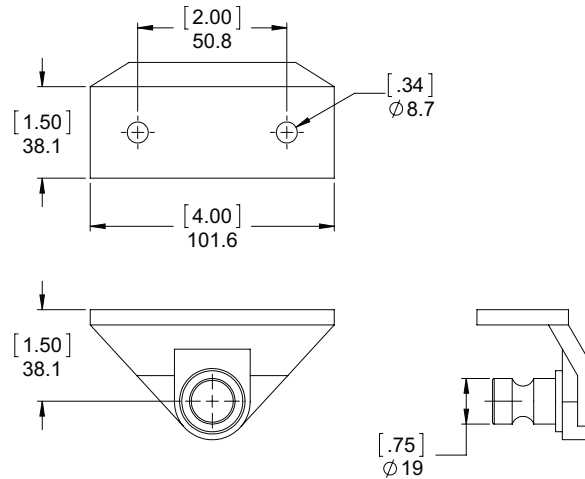
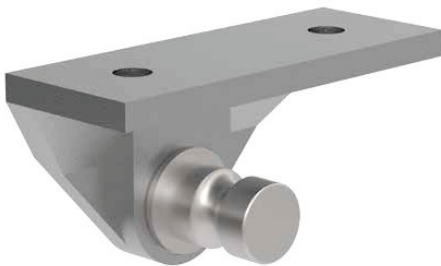
Round Tooling | Dimensions | Technical Specifications

### AB Version



Model Number	ØD	Weight
<b>CPI-AB-00-1E-24</b>	1 in	142 g [5 oz.]
<b>CPI-AB-25-410</b>	25mm	142 g [5 oz.]

### AB Apple Core Version



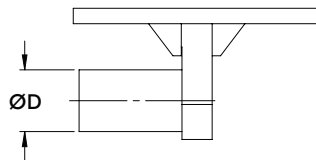
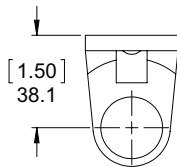
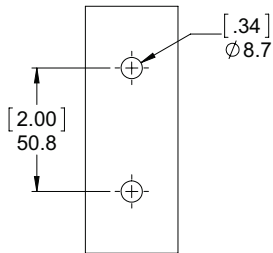
Model Number	Weight
<b>CPI-AB-750-24</b>	142 g [5 oz.]
<b>CPI-AB-19-410</b>	142 g [5 oz.]

Dimensions and technical information are subject to change without notice

## NEST PAD BRACKETS

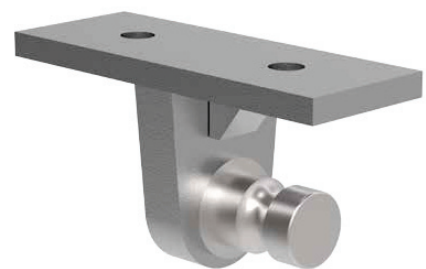
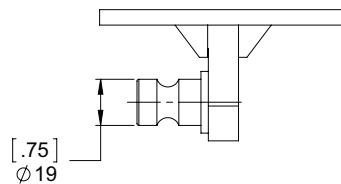
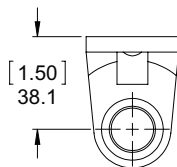
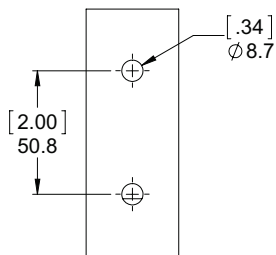
Round Tooling | Dimensions | Technical Specifications

**AB** 90° Version



Model Number	ØD	Weight
<b>CPI-AB-90-1E-24</b>	1 in	142 g [5 oz.]
<b>CPI-AB-90-25-410</b>	25mm	142 g [5 oz.]

**AB** Apple Core 90° Version



Model Number	Weight
<b>CPI-AB-90-24</b>	142 g [5 oz.]
<b>CPI-AB-90-19-410</b>	142 g [5 oz.]

Dimensions and technical information are subject to change without notice