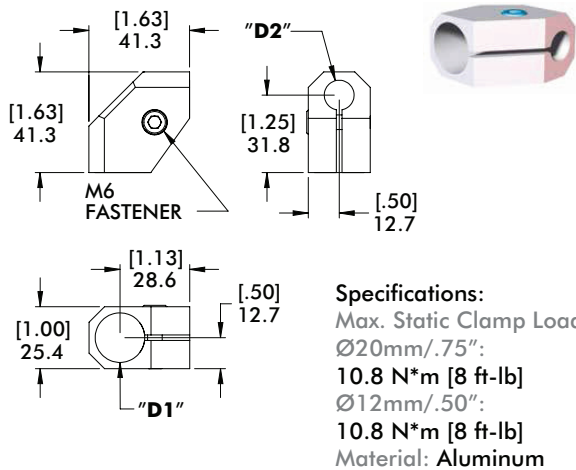


WRIST CLAMPS

Round Tooling | Dimensions | Technical Specifications

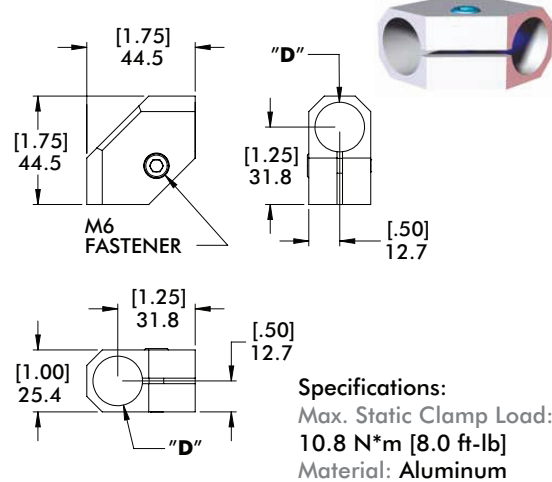
Nominal (Ø) given
See chart on Page 72
for actual (Ø) size

SECM Ø20mm/.75" to Ø12mm/.50"



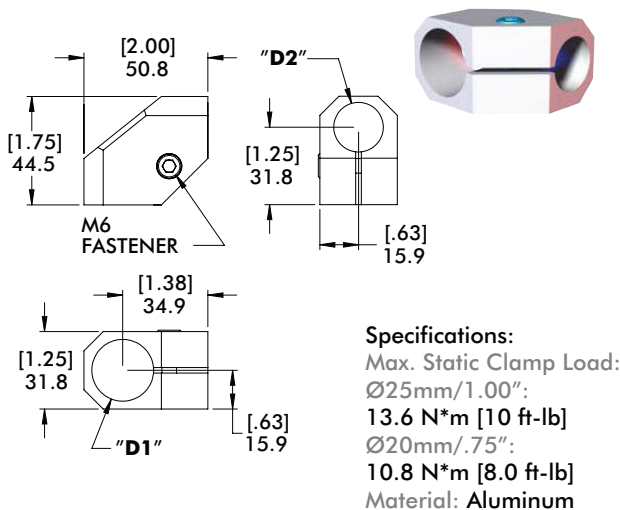
Model Number	(Ø)"D1"	(Ø)"D2"	Weight
CPI-SECM-2012M	12mm	20mm	[.12 lb] .05 kg
CPI-SECM-7550	.50"(in)	.75"(in)	

SECM Ø20mm/.75" to Ø20mm/.75"



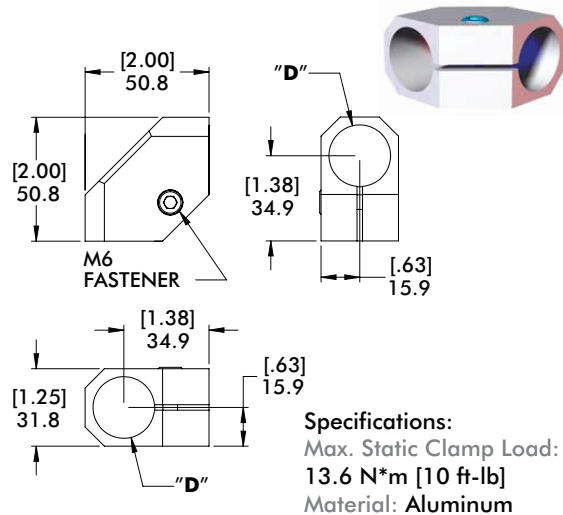
Model Number	(Ø)"D"	Weight
CPI-SECM-2020M	20mm	[.12 lb] .06 kg
CPI-SECM-7575	.75"(in)	

SECM Ø25mm/1.00" to Ø20mm/.75"



Model Number	(Ø)"D1"	(Ø)"D2"	Weight
CPI-SECM-2520M	25mm	20mm	[.17 lb] .08 kg
CPI-SECM-1075	1.00"(in)	.75"(in)	

SECM Ø25mm/1.00" to Ø25mm/1.00"



Model Number	(Ø)"D"	Weight
CPI-SECM-2525M	25mm	[.17 lb] .08 kg
CPI-SECM-1010	1.00"(in)	

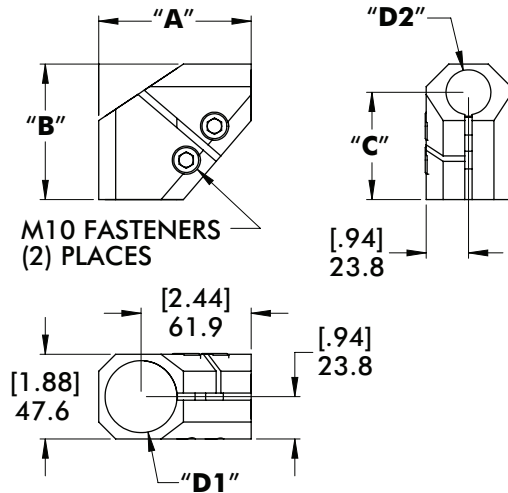
Dimensions and technical information are subject to change without notice

WRIST CLAMPS

Nominal (Ø) given
See chart on Page 72
for actual (Ø) size

Round Tooling | Dimensions | Technical Specifications

SEC/SLK Ø40mm/1.50" to Ø25mm/1.00"



Specifications:
Max. Static Clamp Load:
Ø40mm/1.50":
271 N*m [200 ft-lb]
Ø25mm/1.00":
203 N*m [150 ft-lb]
Material: Aluminum

Model Number	(Ø)"D1"	(Ø)"D2"	"A"	"B"	"C"	"E"	Weight
CPI-SEC-1510	1.50"(in)	1.00"(in)	[3.25] 82.6	[2.38] 60.3	[1.75] 44.5	[.88] 22.2	[.67 lb] .31 kg
CPI-SLK-4025	40mm	25mm	[3.38] 85.7	[2.44] 61.9	[1.88] 47.6	[.94] 23.8	[.77 lb] .35 kg

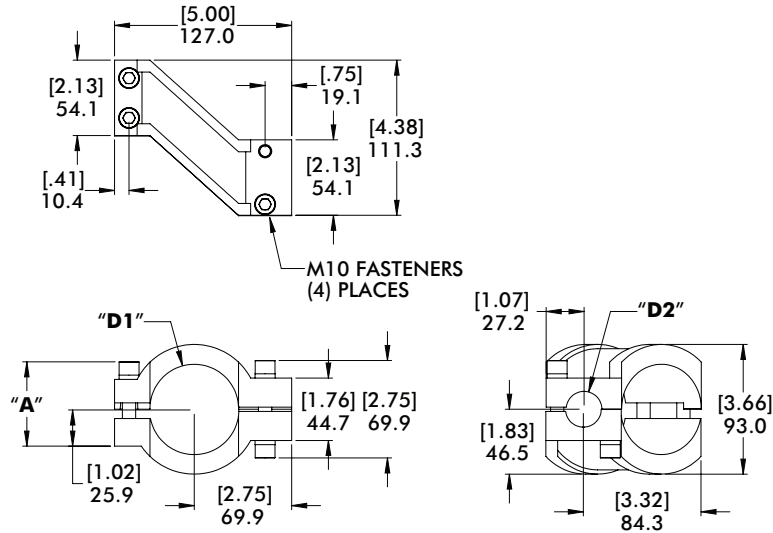
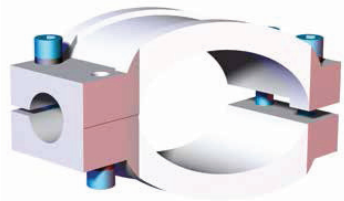
Dimensions and technical information are subject to change without notice

OFFSET WRIST BRACKETS AND BLOCKS

Round Tooling | Dimensions | Technical Specifications

Nominal (Ø) given
See chart on Page 72
for actual (Ø) size

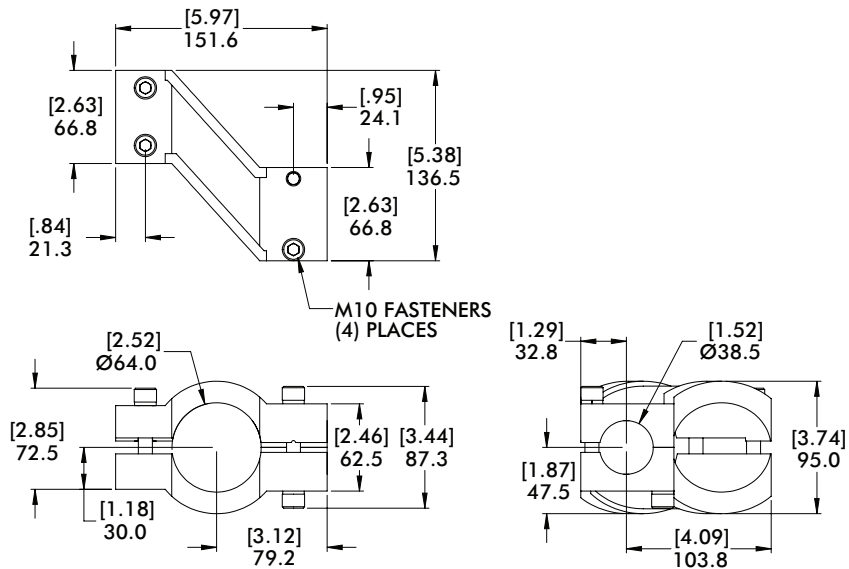
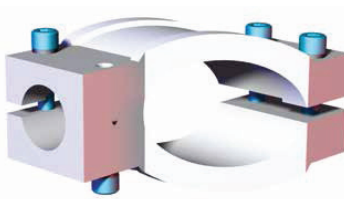
SEC/SLK Ø60mm/2.50" to Ø25mm/1.00" Wrist Bracket



Specifications:
Max. Static Clamp Load:
Ø25mm/1.00":
149 N*m [110 ft-lb]
Ø60mm/2.50":
677 N*m [500 ft-lb]
Material: Aluminum

Model Number	(Ø)"D1"	(Ø)"D2"	"A"	Weight
CPI-SLK-6025	60mm	25mm	[2.25] 57.1	[1.72 lb] .78 kg
CPI-SEC-2510	2.50"(in)	1.00"(in)	[2.38] 60.5	[1.61 lb] .73 kg

SEC Ø2.50" to Ø1.50" Wrist Bracket



Specifications:
Max. Static Clamp Load:
Ø40mm/1.50":
271 N*m [200 ft-lb]
Ø60mm/2.50":
677 N*m [500 ft-lb]
Material: Aluminum

Model Number	Weight
CPI-SEC-2515	[2.72 lb] 1.23 kg

Dimensions and technical information are subject to change without notice