



BodyBuilder™ Octagonal Tooling | Dimensions | Technical Specifications

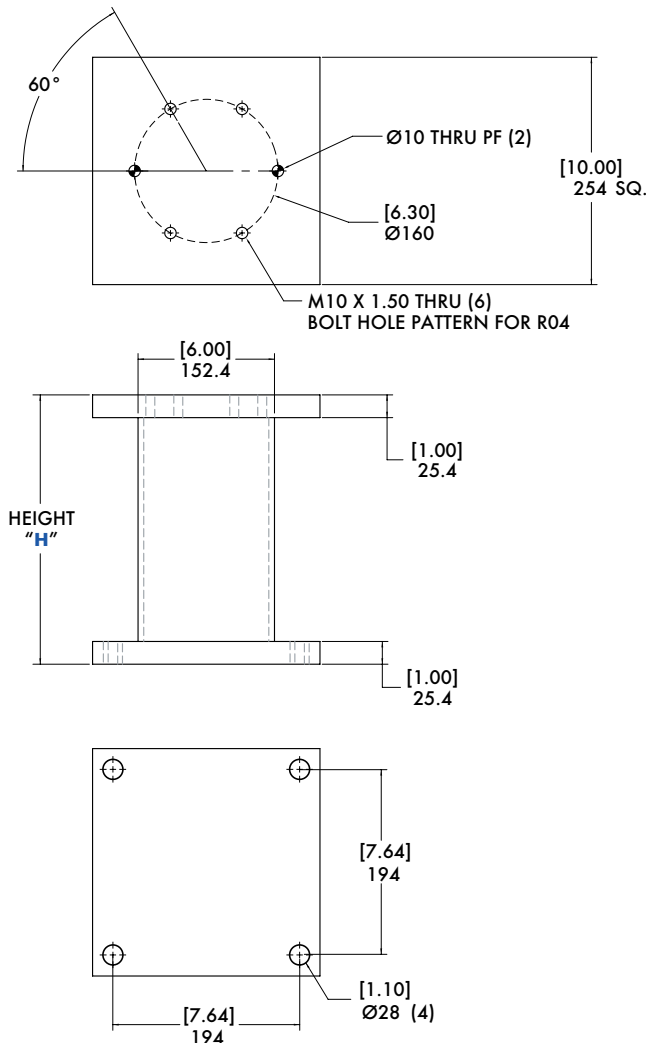
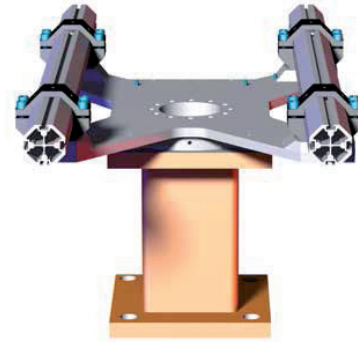
HTW 6" SQ. Pedestal Hold Table Weldment

Features:

- Pedestal Hold Table Weldment when used in conjunction with Mid Mount assemblies serves as a pedestal base for a robust parts nest.

Specifications:

Material: Steel



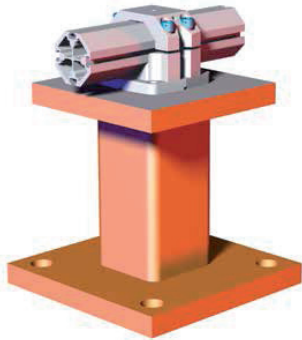
CPI-HTW-"H" HOLD TABLE WELDMENT

"H"	Model Number	Weight
250	CPI-HTW-250	32.43 kg [71.30lb]
300	CPI-HTW-300	33.75 kg [74.40lb]
350	CPI-HTW-350	35.16 kg [77.50lb]
400	CPI-HTW-400	36.56 kg [80.60lb]
450	CPI-HTW-450	37.97 kg [83.70lb]
500	CPI-HTW-500	39.37 kg [86.81lb]
550	CPI-HTW-550	40.78 kg [89.91lb]
600	CPI-HTW-600	42.19 kg [93.01lb]
650	CPI-HTW-650	43.59 kg [96.11lb]
700	CPI-HTW-700	45.00 kg [99.21lb]
750	CPI-HTW-750	46.41 kg [102.31lb]
800	CPI-HTW-800	47.81 kg [105.41lb]
850	CPI-HTW-850	49.22 kg [108.51lb]
900	CPI-HTW-900	50.62 kg [111.61lb]

Dimensions and technical information are subject to change without notice



BodyBuilder™ Octagonal Tooling | Dimensions | Technical Specifications

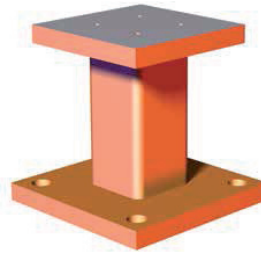
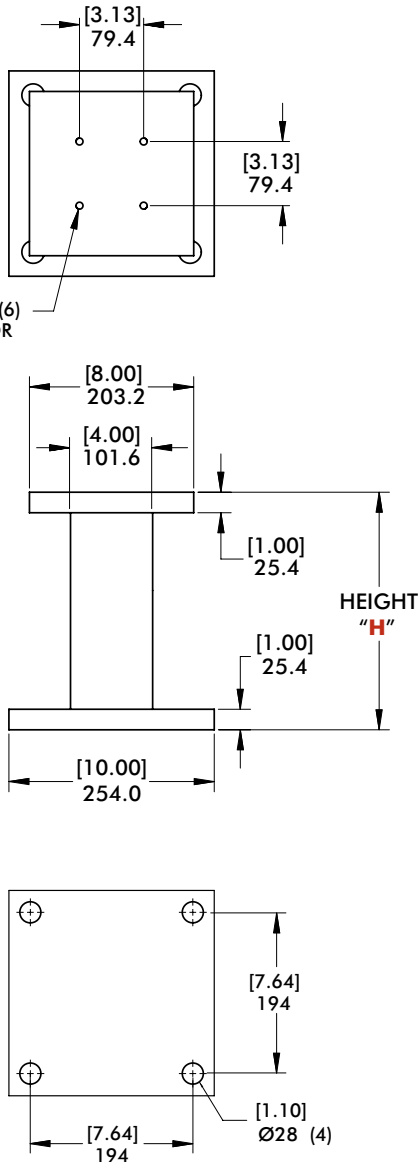


HTW-4 4" SQ. Pedestal Hold Table Weldment

Specifications:
Material: Steel

Features:

- Pedestal Hold Table Weldment when used in conjunction with 45mm or 60mm flange and end mount assemblies serves as a pedestal base for a robust parts nest.



CPI-HTW-"H"-4 HOLD TABLE WELDMENT

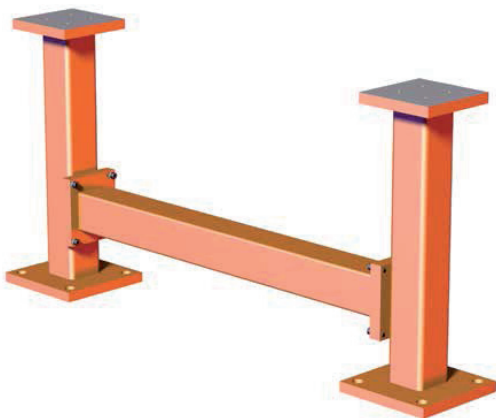
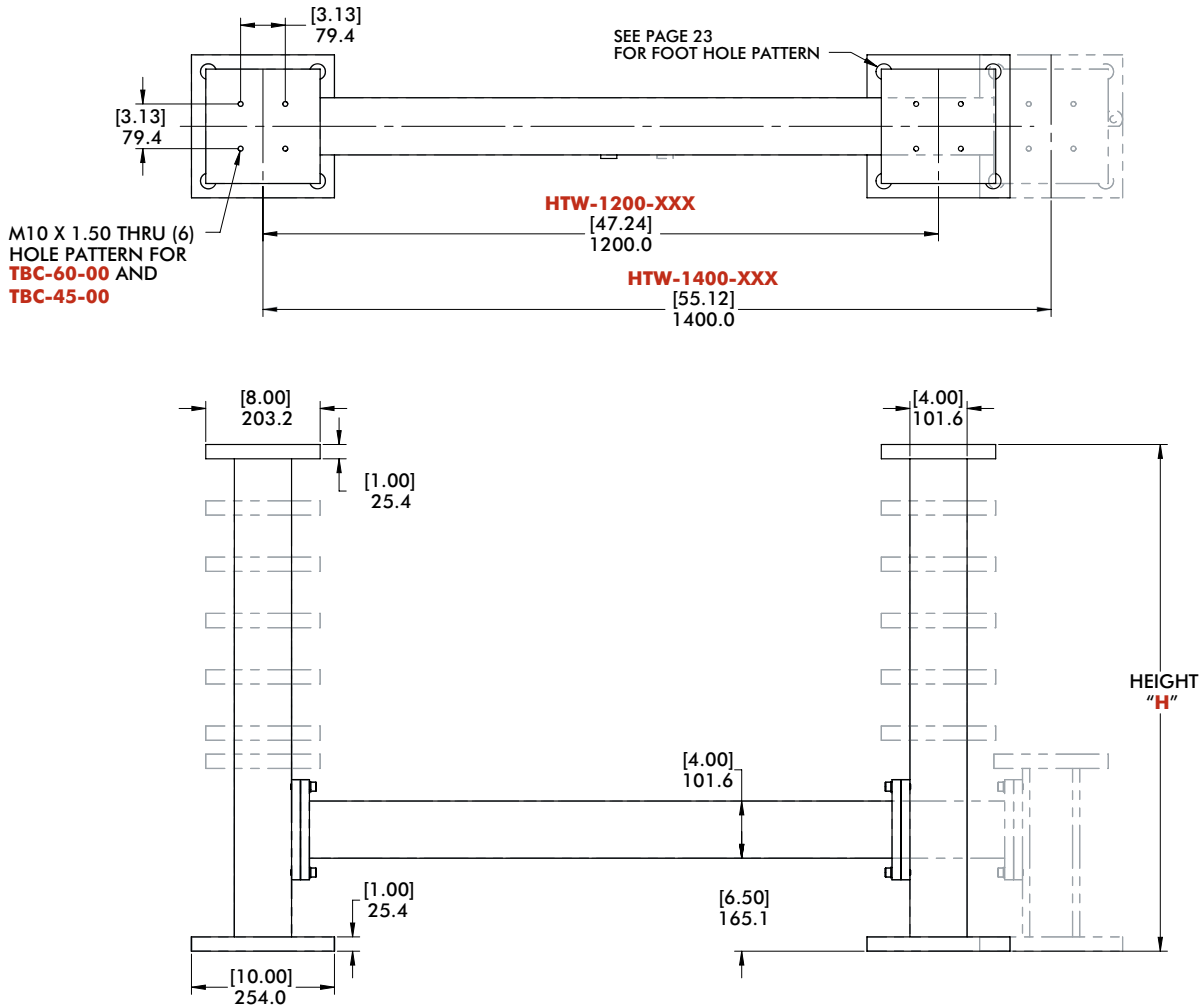
"H"	Model Number	Weight
250	CPI-HTW-250-4	24.02 kg [52.97lb]
300	CPI-HTW-300-4	24.93 kg [54.96lb]
350	CPI-HTW-350-4	25.83 kg [56.95lb]
400	CPI-HTW-400-4	26.73 kg [58.94lb]
450	CPI-HTW-450-4	27.63 kg [60.93lb]
500	CPI-HTW-500-4	28.54 kg [62.92lb]
550	CPI-HTW-550-4	29.44 kg [63.82lb]
600	CPI-HTW-600-4	30.35 kg [66.90lb]
650	CPI-HTW-650-4	31.25 kg [68.89lb]
700	CPI-HTW-700-4	32.15 kg [70.88lb]
750	CPI-HTW-750-4	33.05 kg [72.87lb]
800	CPI-HTW-800-4	33.96 kg [74.87lb]
850	CPI-HTW-850-4	34.86 kg [76.86lb]
900	CPI-HTW-900-4	35.76 kg [78.85lb]

Dimensions and technical information are subject to change without notice



BodyBuilder™ Octagonal Tooling | Dimensions | Technical Specifications

HTW-1200/1400 Pass-Thru Hold Table Weldment



CPI-"MODEL"- "H" PASS THROUGH TABLE WELDMENT				
" H "	"Model"	Weight	"Model"	Weight
350	HTW-1200	84.62 kg [186.55lb]	HTW-1400	88.39 kg [194.87lb]
400	HTW-1200	86.42 kg [190.53lb]	HTW-1400	90.02 kg [198.85lb]
500	HTW-1200	90.04 kg [198.50lb]	HTW-1400	93.81 kg [206.82lb]
600	HTW-1200	93.65 kg [206.46lb]	HTW-1400	97.42 kg [214.78lb]
700	HTW-1200	97.26 kg [214.42lb]	HTW-1400	101.04 kg [222.74lb]
800	HTW-1200	100.87 kg [222.39lb]	HTW-1400	104.65 kg [230.71lb]
900	HTW-1200	104.49 kg [230.35lb]	HTW-1400	108.26 kg [238.67lb]

Dimensions and technical information are subject to change without notice