

# 5130, 5131, 5133 SERIES

## Heavy-Duty Straight Line Action Clamps | Product Overview

### Features:

- Reverse action allows the handle to stay out of the work zone
- Hardened steel pivot pins and bushings provide long life
- Black oxide finish with hardened plunger
- DESTACO® Toggle Lock Plus™ versions available

### Applications:

- Welding fixture
- Assembly fixture
- Light machining

5130/-M  
5131/-M  
5133/-M  
Flanged Base



5130-B/-MB  
5131-B/-MB  
5133-B/-MB  
Solid Base



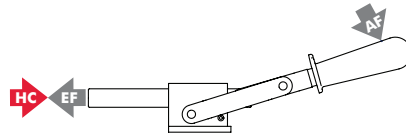
5130-R/-MR  
5131-R/-MR  
5133-R/-MR  
Flanged Base  
with DESTACO®  
Toggle Lock Plus™



5130-BR①/-MBR①  
5131-BR①/-MBR①  
5133-BR①/-MBR①  
Solid Base  
with DESTACO®  
Toggle Lock Plus™



## Technical Information

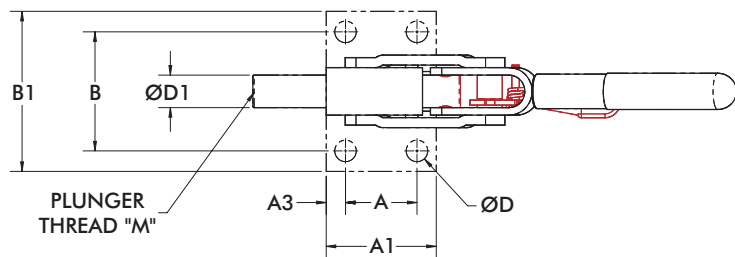
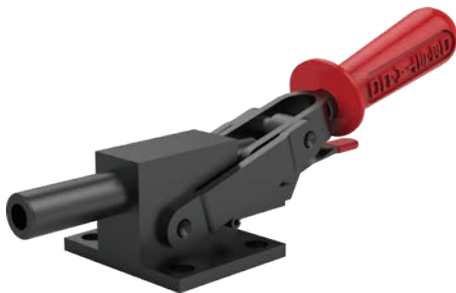
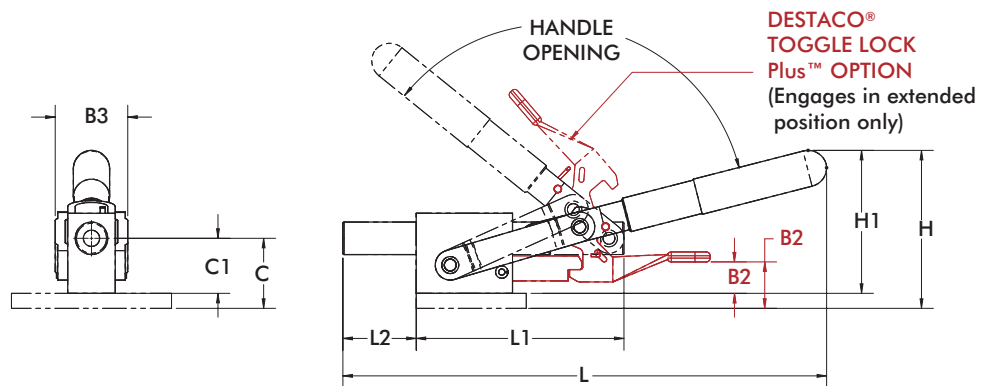
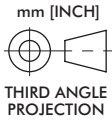


Model	Max. Holding Capacity	Weight	EF:AF (pushing)	Plunger Travel mm [in]	Handle Opening	Plunger Thread (M)	Recommended Spindle (not supplied)
5131	[2500 lbf] 11120 N	[1.12lbs] 0,51 kg	40:1	[1.00] 25,4	113°	5/16-18	461203
5131-M						M8	461203-M
5131-B		[0.85lbs] 0,39 kg				5/16-18	461203
5131-MB						M8	461203-M
5131-R		[1.15lbs] 0,52 kg				5/16-18	461203
5131-MR						M8	461203-M
5131-BR①		[0.88lbs] 0,40 kg				5/16-18	461203
5131-MBR①						M8	461203-M
5130	[5800 lbf] 25800 N	[2.87lbs] 1,30 kg	40:1	[1.90] 48,3	125°	1/2-13	325203
5130-M						M12	220203-M
5130-B		[2.40lbs] 1,09 kg				1/2-13	325203
5130-MB						M12	220203-M
5130-R		[3.03lbs] 1,37 kg				1/2-13	325203
5130-MR						M12	220203-M
5130-BR①		[2.56lbs] 1,16 kg				1/2-13	325203
5130-MBR①						M12	220203-M
5133	[4600 lbf] 20460 N	[3.12lbs] 1,41 kg	40:1	[3.18] 80,7	139°	1/2-13	325203
5133-M						M12	220203-M
5133-B		[2.65lbs] 1,20 kg				1/2-13	325203
5133-MB						M12	220203-M
5133-R		[3.36lbs] 1,52 kg				1/2-13	325203
5133-MR						M12	220203-M
5133-BR①		[2.89lbs] 1,31 kg				1/2-13	325203
5133-MBR①						M12	220203-M

① This item is available upon request HC = Holding Capacity, EF = Exerting Force, AF = Applied Force

# 5130, 5131, 5133 SERIES

## Heavy-Duty Straight Line Action Clamps | Dimensions



Model	A	A1	A3	B	B1	B2	B3	C	D	D1	H	L	L1	L2
5131						-								
5131-M	[1.13]	[1.73]	[0.30]	[1.87]	[2.52]	-	[1.14]	[1.10]	[0.34]	[0.51]	[2.49]	[7.61]	[3.27]	[1.15]
5131-R	28,6	44	7,7	47,6	64	[0.73]	29	28	8,6	13	63,1	193,4	83	29,3
5131-MR						18,5								
5130						-								
5130-M						-	[1.57]				[3.63]	[11.14]	[5.20]	[1.96]
5130-R						[1.07]	40				92,3	283	132	49,7
5130-MR	[1.75]	[2.52]	[0.38]	[2.31]	[2.99]	27,2		[1.38]	[0.41]	[0.75]				
5133	44,5	64	9,8	58,7	76	-		35	10,5	19				
5133-M						-	[1.54]				[3.84]	[13.05]	[6.58]	[3.24]
5133-R						[1.24]	39				97,5	331,4	167	82,2
5133-MR						31,4								

Model	B2	B3	C1	D1	H1
5131-B	-				
5131-MB		[1.14]	[0.87]	[0.51]	[2.25]
5131-BR ⓘ	[0.49]	29	22	13	57,1
5131-MBR ⓘ	12,4				
5130-B					
5130-MB	-	[1.57]			[3.40]
5130-BR ⓘ	[0.84]	40			86,3
5130-MBR ⓘ	21,2		[1.14]	[0.75]	
5133-B			29	19	
5133-MB	-	[1.54]			[3.60]
5133-BR ⓘ	[1.00]	39			91,5
5133-MBR ⓘ	25,4				

ⓘ This item is available upon request